



Chipsmall Limited consists of a professional team with an average of over 10 year of expertise in the distribution of electronic components. Based in Hongkong, we have already established firm and mutual-benefit business relationships with customers from,Europe,America and south Asia,supplying obsolete and hard-to-find components to meet their specific needs.

With the principle of “Quality Parts,Customers Priority,Honest Operation,and Considerate Service”,our business mainly focus on the distribution of electronic components. Line cards we deal with include Microchip,ALPS,ROHM,Xilinx,Pulse,ON,Everlight and Freescale. Main products comprise IC,Modules,Potentiometer,IC Socket,Relay,Connector.Our parts cover such applications as commercial,industrial, and automotives areas.

We are looking forward to setting up business relationship with you and hope to provide you with the best service and solution. Let us make a better world for our industry!



Contact us

Tel: +86-755-8981 8866 Fax: +86-755-8427 6832

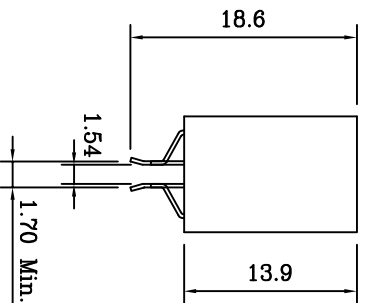
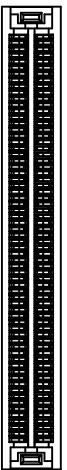
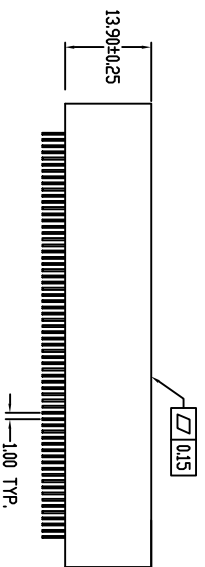
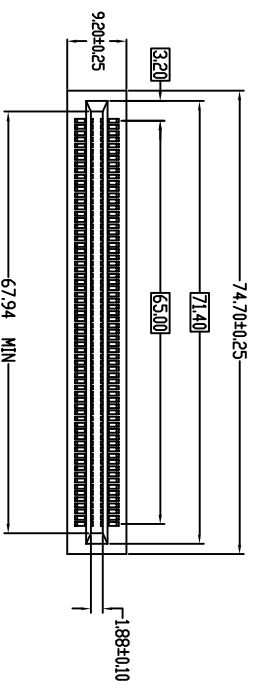
Email & Skype: info@chipsmall.com Web: www.chipsmall.com

Address: A1208, Overseas Decoration Building, #122 Zhenhua RD., Futian, Shenzhen, China



MATERIALS

- * Body : P.C.T. (ul-94V-0)
- * Contact : phosphor Bronze
- * Contact plating : Gold flash in contact area
Tin / Lead on tails



B	6-19-03	BC	Revised body angle	DESCRIPTION
REV.	DATE	CHK		
San Marcos, CA Fax: 760 744-6081				
Tel: 760 744-0125 www.SullinsElectronics.com				
DRAWN		DESCRIPTION		
AGP		Imm Edge Card		
APP.		PART NUMBER		
IPWE066DKRN-TAGP				
SCALE		SIZE		REV.
NTS				B
SHEET				
1 of 1				

SULLINS ELECTRONICS CORP.