



Chipsmall Limited consists of a professional team with an average of over 10 year of expertise in the distribution of electronic components. Based in Hongkong, we have already established firm and mutual-benefit business relationships with customers from,Europe,America and south Asia,supplying obsolete and hard-to-find components to meet their specific needs.

With the principle of “Quality Parts,Customers Priority,Honest Operation,and Considerate Service”,our business mainly focus on the distribution of electronic components. Line cards we deal with include Microchip,ALPS,ROHM,Xilinx,Pulse,ON,Everlight and Freescale. Main products comprise IC,Modules,Potentiometer,IC Socket,Relay,Connector.Our parts cover such applications as commercial,industrial, and automotives areas.

We are looking forward to setting up business relationship with you and hope to provide you with the best service and solution. Let us make a better world for our industry!



Contact us

Tel: +86-755-8981 8866 Fax: +86-755-8427 6832

Email & Skype: info@chipsmall.com Web: www.chipsmall.com

Address: A1208, Overseas Decoration Building, #122 Zhenhua RD., Futian, Shenzhen, China



LPX50 Enclosure

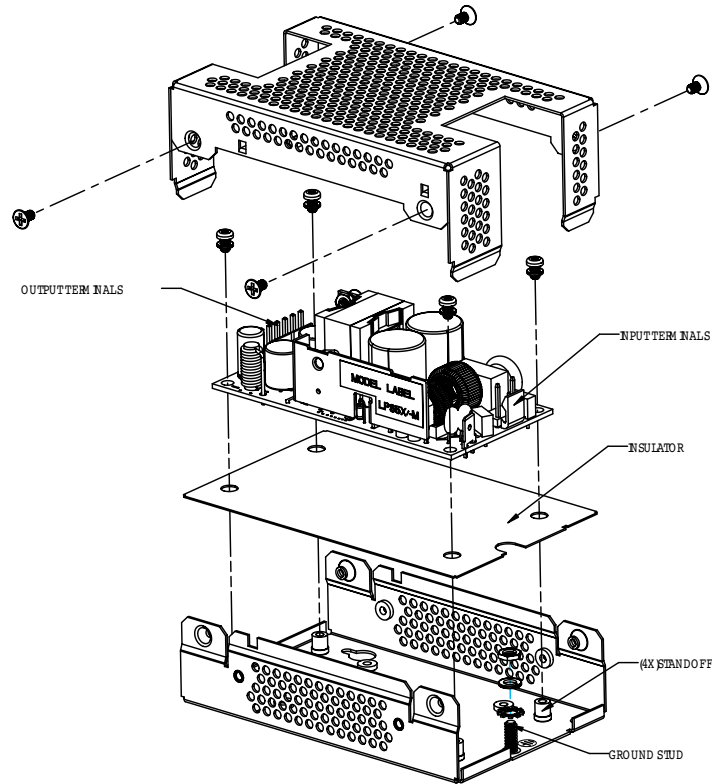
Installation Notes

LPX50 • Cover Enclosure Kit

LPX50 will fit the LPX5X, LPX10X-M, NPX4X-M, NPX2X-M and NPX6X-M power supplies.

Materials

- 1 Base
- 1 Cover
- 4 M3x6mm Pan head screws with spring washer
- 4 M3x6mm countersunk screws
- 1 M4 nut
- 1 M4 star washer
- 1 M4 spring washer
- 1 Plastic insulator sheet



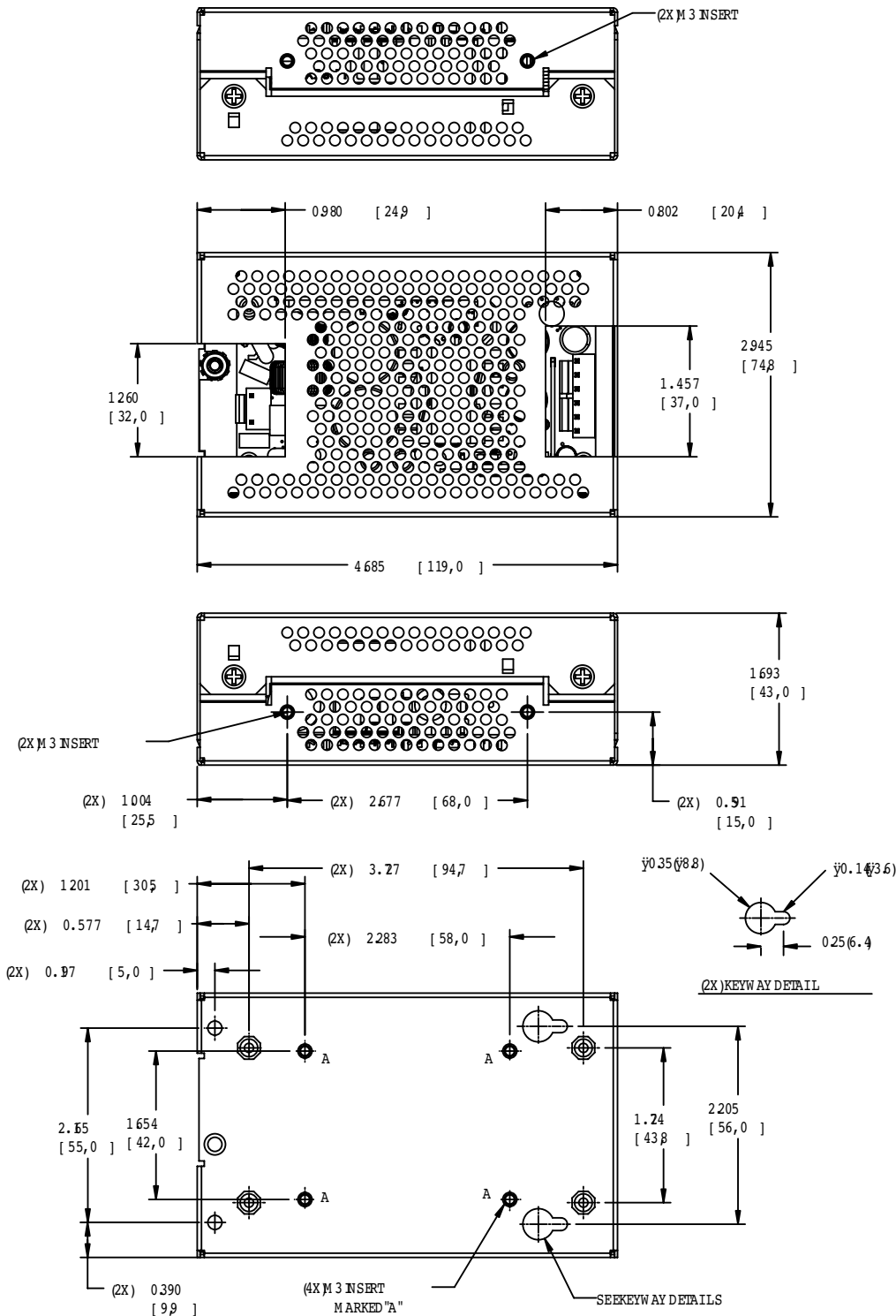
Rev. 01.16.12_159
LPX50 Enclosure
1 of 2

Installation Instructions and Notes

1. Place the insulator over the chassis as shown.
2. Place the power supply over the insulator as shown.
3. Align the 4x power supply to the chassis standoff.
4. Secure 4 pan head screws with washer provided with in kit as shown.
5. Place the cover over the power supply as shown.
6. Align the 4x cover to the U-bracket countersink holes.
7. Secure 4 countersink screws provided with in kit as shown.
8. Overall dimensions: 4.685 (119.0) x 2.945 (74.8) x 1.693 (43.0).
9. Base plate has three sets of customer mountings:
 - a. Bottom mounting (4X) M3 inserts. Max. screw penetration 0.0787 (2mm)
 - b. Side mounting (2X) 4mm clear holes plus 2 keyways. (See keyway detail)
 - c. Side mounting (4X) M3 inserts. Max. screw penetration 0.236 (6mm)
10. Ensure insulator is correctly fitted in base under PCB to maintain safety creepage and clearances.
11. Ensure base is firmly connected to supply earth via the earth stud marked
12. When using this enclosure, ensure that relevant safety standards (e.g. EN60950) are complied with, in respect to creepage and clearance distances, and distances through insulation.
13. All dimensions are in inches (mm)



Mechanical Drawing



Americas

5810 Van Allen Way
Carlsbad, CA 92008
USA
Telephone: +1 760 930 4600
Facsimile: +1 760 930 0698

Europe (UK)

Waterfront Business Park
Merry Hill, Dudley
West Midlands, DY5 1LX
United Kingdom
Telephone: +44 (0) 1384 842 211
Facsimile: +44 (0) 1384 843 355

Asia (HK)

14/F, Lu Plaza
2 Wing Yip Street
Kwun Tong, Kowloon
Hong Kong
Telephone: +852 2176 3333
Facsimile: +852 2176 3888

For global contact, visit:

www.PowerConversion.com
techsupport.embeddedpower@emerson.com

While every precaution has been taken to ensure accuracy and completeness in this literature, Emerson Network Power assumes no responsibility, and disclaims all liability for damages resulting from use of this information or for any errors or omissions.

Emerson Network Power.
The global leader in enabling
business-critical continuity.

- AC Power
- Connectivity
- DC Power
- Embedded Computing
- **Embedded Power**
- Monitoring
- Outside Plant
- Power Switching & Controls
- Precision Cooling
- Racks & Integrated Cabinets
- Services
- Surge Protection

EmersonNetworkPower.com

Emerson Network Power and the Emerson Network Power logo are trademarks and service marks of Emerson Electric Co.
©2010 Emerson Electric Co.