



Chipsmall Limited consists of a professional team with an average of over 10 year of expertise in the distribution of electronic components. Based in Hongkong, we have already established firm and mutual-benefit business relationships with customers from,Europe,America and south Asia,supplying obsolete and hard-to-find components to meet their specific needs.

With the principle of “Quality Parts,Customers Priority,Honest Operation,and Considerate Service”,our business mainly focus on the distribution of electronic components. Line cards we deal with include Microchip,ALPS,ROHM,Xilinx,Pulse,ON,Everlight and Freescale. Main products comprise IC,Modules,Potentiometer,IC Socket,Relay,Connector.Our parts cover such applications as commercial,industrial, and automotives areas.

We are looking forward to setting up business relationship with you and hope to provide you with the best service and solution. Let us make a better world for our industry!



Contact us

Tel: +86-755-8981 8866 Fax: +86-755-8427 6832

Email & Skype: info@chipsmall.com Web: www.chipsmall.com

Address: A1208, Overseas Decoration Building, #122 Zhenhua RD., Futian, Shenzhen, China



LPX40/60 Enclosure

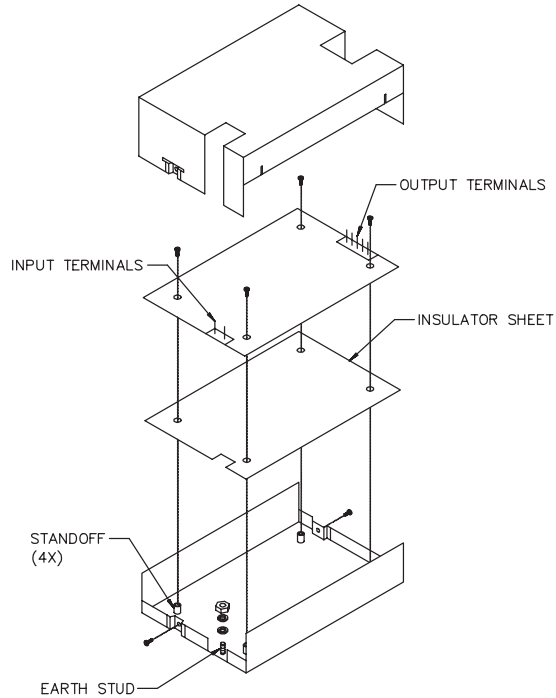
Installation Notes

LPX40 and LPX60 • Cover Enclosure Kit

LPX40 will fit the LPX2X and LPX4X
power supplies.
LPX60 will fit LPX6X power supplies.

Materials

- 1 Base
 - 1 Cover (top and sides perforated)
 - 6 M3 x 6mm screws with captive washer
 - 1 M4 nut
 - 1 M4 star washer
 - 1 M4 spring washer
 - 1 Plastic insulator sheet
- } For earth stud



Rev. 7.01.09_39
LPX40/60 Enclosure
1 of 2

Installation Instructions and Notes

1. Place the insulator over the chassis as shown
2. Place the power supply over the insulator as shown
3. Align the power supply to the chassis standoff
4. Secure 4 pan head screws with washer provided with in kit as shown
5. Place the cover over the chassis
6. Align the cover to the U-bracket countersink holes
7. Secure 2 countersink screws provided with in kit as shown
8. Overall dimensions:
LPX 25/40: 5.9 (150) x 3.86 (98) x 1.5 (38)
LPX 60: 5.9 (150) x 3.86 (98) x 1.97 (50)
9. Base plate has three sets of customer mountings:
 - a. Bottom mounting (4X) M3 inserts. Max. screw penetration 0.0787 (2mm)
 - b. Side mounting (2X) 4mm clear holes plus 2 keyways. (See keyway detail)
 - c. Side mounting (4X) M3 inserts. Max. screw penetration 0.236 (6mm)
10. Ensure insulator is correctly fitted in base under PCB to maintain safety creepage and clearances.
11. Ensure base is firmly connected to supply earth via the earth stud marked Ⓧ
12. When using this enclosure, ensure that relevant safety standards (e.g. EN60950) are complied with, in respect to creepage and clearance distances, and distances through insulation.
13. All dimensions are in inches (mm)



