



Chipsmall Limited consists of a professional team with an average of over 10 year of expertise in the distribution of electronic components. Based in Hongkong, we have already established firm and mutual-benefit business relationships with customers from,Europe,America and south Asia,supplying obsolete and hard-to-find components to meet their specific needs.

With the principle of “Quality Parts,Customers Priority,Honest Operation,and Considerate Service”,our business mainly focus on the distribution of electronic components. Line cards we deal with include Microchip,ALPS,ROHM,Xilinx,Pulse,ON,Everlight and Freescale. Main products comprise IC,Modules,Potentiometer,IC Socket,Relay,Connector.Our parts cover such applications as commercial,industrial, and automotives areas.

We are looking forward to setting up business relationship with you and hope to provide you with the best service and solution. Let us make a better world for our industry!



## Contact us

Tel: +86-755-8981 8866 Fax: +86-755-8427 6832

Email & Skype: info@chipsmall.com Web: www.chipsmall.com

Address: A1208, Overseas Decoration Building, #122 Zhenhua RD., Futian, Shenzhen, China



PREPARED BY: _____	DATE _____	<b>SHARP</b>	SPEC No. LCY-02002
APPROVED BY: _____	DATE _____		FILE No. _____
			ISSUE: Jan. 11. 2002.
			PAGE : 21 pages
		LIQUID CRYSTAL DISPLAY GROUP SHARP CORPORATION SPECIFICATION	APPLICABLE GROUP LIQUID CRYSTAL DISPLAY GROUP

DEVICE SPECIFICATION FOR  
**TFT - LCD module**  
 MODEL No. LQ050Q5DR01

CUSTOMER'S APPROVA

DATE \_\_\_\_\_

BY \_\_\_\_\_

PRESENTED

BY S. Yasuda

S. YASUDA  
 Department General manager  
 Development Engineering Dept. 2  
 TFT Division. 1  
 TFT LIQUID CRYSTAL DISPLAY GROUP  
 SHARP CORPORATION

## NOTICE

This publication is the proprietary of SHARP and is copyrighted, with all rights reserved. Under the copyright laws, no part of this publication may be reproduced or transmitted in any form or by any means, electronic or mechanical for any purpose, in whole or in part, without the express written permission of SHARP. Express written permission is also required before any use of this publication may be made by a third party.

The application circuit examples in this publication are provided to explain the representative applications of SHARP's devices and are not intended to guarantee any circuit design or permit any industrial property right or other rights to be executed. SHARP takes no responsibility for any problems related to any industrial property right or a third party resulting from the use of SHARP's devices, except for those resulting directly from device manufacturing processes.

In the absence of confirmation by device specification sheets, SHARP takes no responsibility for any defects that occur in equipment using any of SHARP's devices, shown in catalogs, data books, etc. Contact SHARP in order to obtain the latest device specification sheets before using any SHARP's device.

SHARP reserves the right to make changes in the specifications, characteristics, data, materials, structures and other contents described herein at any time in order to improve design or reliability. Contact SHARP in order to obtain the latest specification sheets before using any SHARP's device. Manufacturing locations are also subject to change.

Observe the following points when using any device in this publication. SHARP takes no responsibility for damage caused by improper use of the devices.

The devices in this publication are designed for use in general electronic equipment designs, such as:

- Car Navigation system
- Automotive auxiliary information display
- Automotive audio visual equipment

The appropriate design measures should be taken to ensure reliability and safety when SHARP's devices are used for equipment such as:

- Transportation control and safety equipment (i.e., aircraft, trains, automobiles, etc.)
- Traffic signals
- Gas leakage sensor breakers
- Alarm equipment
- Various safety devices etc.

SHARP's devices shall not be used for equipment that requires extremely high level of reliability, such as:

- Military and space applications
- Nuclear power control equipment
- Medical equipment for life support

Cold cathode fluorescent lamp in devices contains a small amount of mercury.  
Please follow local ordinances or regulations for disposal.

Contact a SHARP representative, in advance, when intending to use SHARP's devices for any "specific" applications other than those recommended by SHARP.

Contact and consult with a SHARP representative if there are any questions about the contents of this publication.

## (1) Application

This specification literature applies to color TFT-LCD module ,LQ050Q5DR01.

## (2) Summary and Features

This module is a color active matrix LCD module incorporating amorphous silicon TFT (Thin Film Transistor).

It is composed of a color TFT-LCD panel, driver ICs, control-PWB, FPC, frame, front shielding case, back-light unit.

Graphics and texts can be displayed on a  $320 \times 3 \times 240$  dots panel with 262,144 colors by supplying. DC/AC inverter isn't composed.

The 5 screen produces a high resolution image that is composed of 76,800 pixel elements in a stripe arrangement.

Wide viewing angle technology is employed. (The most suitable viewing angle is in the 6 o'clock direction.)

By adopting an active matrix drive, a picture with high contrast is realized.

Through the use of TN-normally white mode, an image with highly natural color image is realized.

It is used the Low-reflection (LR) and an antiglare (AG) surface polarization plate.

An inverted video display in the vertical and horizontal directions is possible.

## (3) Mechanical specifications

table 3-1

Parameter	Specifications	Units	Remarks
Display format	76,800	pixels	
	$320(W) \times RGB \times 240(H)$	dots	
Active area	101.28 (W) $\times$ 74.76 (H)	mm	
Screen size (Diagonal)	12.6 [4.96" ]	cm	
Dot pitch	0.1055 (W) $\times$ 0.3115 (H)	mm	
Pixel configuration	R,G,B Stripe configuration		
Outline dimension	119.4(W) $\times$ 89.1(H) $\times$ 12.7(D)	mm	[Note3-1]
Mass	MAX 170	g	
Surface treatment	AG+LR		

## [Note 3-1]

Typical values are given. For detailed measurements and tolerances, please refer to Fig. 1.

## (4) Input terminal

## 4-1) TFT-LCD panel driving part

Used connector: KX14-40K5D1-VI(JAE Co., Ltd)

Fit connector : KX15-40KLD1L-VI(JAE Co., Ltd)

Table 4-1

CN1

【Note4-6】

Pin No.	Symbol	Description	Remarks
1	GND	ground	
2	VCC	Power supply voltage	
3	Hsync	Horizontal synchronous signal	【Note4-1】
4	G 3	GREEN data signal	
5	T 0	thermistor output1	
6	G 4	GREEN data signal	
7	T 1	thermistor output2	
8	G 5	GREEN data signal(MSB)	
9	HVR	Selection for horizontal and vertical scanning direction	【Note4-3】
10	GND	ground	
11	GND	ground	
12	B 0	BLUE data signal(LSB)	
13	CLK	Clock signal for sampling each data signal	
14	B 1	BLUE data signal	
15	GND	ground	
16	B 2	BLUE data signal	
17	R 0	RED data signal(LSB)	
18	GND	ground	
19	R 1	RED data signal	
20	B 3	BLUE data signal	
21	R 2	RED data signal	
22	B 4	BLUE data signal	
23	GND	ground	
24	B 5	BLUE data signal(MSB)	
25	R 3	RED data signal	
26	GND	ground	
27	R 4	RED data signal	
28	Vsync	Vertical synchronous signal	【Note4-1】
29	R 5	RED data signal(MSB)	
30	TEST	Open use only	
31	GND	Ground	
32	TEST	Open use only	
33	G 0	GREEN data signal(LSB)	
34	TEST	Open use only	
35	G 1	GREEN data signal	
36	TEST	Open use only	
37	G 2	GREEN data signal	
38	ENAB	Signal to settle the horizontal display position	【Note4-2】
39	VCC	Power supply voltage	
40	GND	ground	

【Note 4-1】

Hsync	positive
Vsync	positive

【Note 4-2】

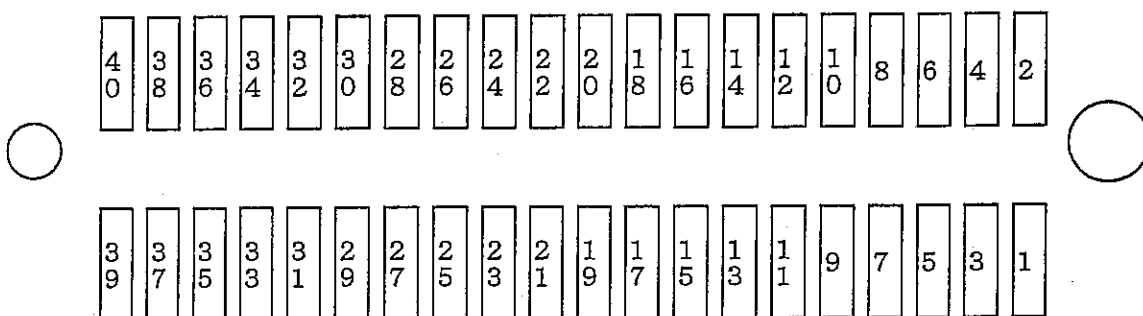
The horizontal display start timing is settled in accordance with a rising timing of ENAB signal.  
 In case ENAB is fixed "Low", the horizontal start timing is determined as described in Fig3-A.  
 (Don't keep ENAB "High" during operation.(Fig3-B).)

【Note 4-3】

HVR = "Low" : Regular video  
 HVR = "High" : Horizontally and Vertically inverted video

【Note 4-4】

The position of pin number



4-2) Back-light fluorescent tube driving part

Used connector:BHR-02(8.0)VS-1N(JST Co. ,Ltd)  
 Fit connctor:SM02(8.0)B-BHS-1N(JST Co. ,Ltd)

Table 4-2

No.	Symbol	i/o	Function	Color of FL cable
1	VL1	I	input terminal (High Voltage)	RED
2	VL2	I	input terminal (Low Voltage)	BLACK

Caution : Please use this thermistor in order to check the lamp temperature.  
 Model number of Thermistor :203GT-1 (made by Ishizuka electoronics Corporation)  
 Zero load resistance value at 25°C : 20.0kΩ ± 3 %

(5)Absolute maximum ratings

Table 5-1

GND = 0 V

Parameter	Symbol	MIN	MAX	Unit	Note
Input voltage	V <sub>I</sub>	-0.3	VCC+0.3	V	【Note 5-1】 Ta=25°C
+3.3V power supply	VCC	0	5.5	V	Ta=25°C
Storage temperature	T <sub>stg</sub>	-40	+95	°C	【Note 5-2】
Operating temperature (panel surface)	T <sub>opr1</sub>	-30	+85	°C	【Note 5-2】
Operating temperature ( Ambient temperature )	T <sub>opr2</sub>	-30	+60	°C	【Note 5-2】

【Note 5-1】 CK,R0~R5,G0~G5,B0~B5,Hsync,Vsync,ENAB,HVR

【Note 5-2】 Humidity:95%RH Max. at Ta ≤ 60°C

Maximum wet-bulb temperature is less than 58°C. at Ta > 60°C.

Condensation of dew must be avoided as electrical current leaks will occur,

Causing a degradation of performance specifications.



(6)Electrical characteristics  
6-1)TFT-LCD panel driving section

Table 6-1

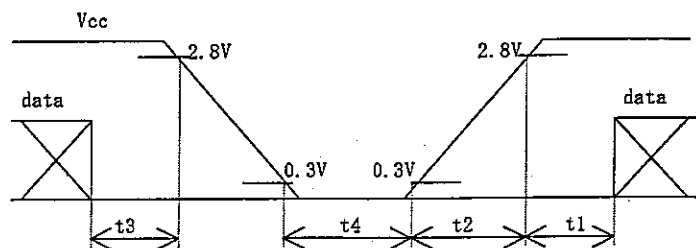
GND=0V, T<sub>a</sub>=25°C

Parameter		Symbol	MIN	TYP	MAX	Unit	Remarks
+3.3V	Supply voltage	V <sub>cc</sub>	+2.9	+3.3	+3.7	V	【Note 6-1】
	Current dissipation	I <sub>cc</sub>	—	140	180	mA	【Note 6-2,3】
Permissive input ripple		V <sub>RF</sub>	—	—	100	mVpp	
Input Low voltage		V <sub>IL</sub>	—	—	0.3V <sub>CC</sub>	V	【Note 6-4】
Input High voltage		V <sub>IH</sub>	0.7V <sub>CC</sub>	—	—	V	
Input current (Low)		I <sub>IL</sub>	—	—	1.0	μA	V <sub>I</sub> =0V 【Note 6-5】
Input current (High)		I <sub>IH</sub>	3.0	—	75	μA	V <sub>I</sub> =V <sub>CC</sub> 【Note 6-5】
Input current (Low)		I <sub>IL</sub>	3.0	—	75	μA	V <sub>I</sub> =0V 【Note 6-6】
Input current (High)		I <sub>IH</sub>	—	—	1.0	μA	V <sub>I</sub> =V <sub>CC</sub> 【Note 6-6】
Input current (Low)		I <sub>IL</sub>	6.0	—	150	μA	V <sub>I</sub> =0V 【Note 6-7】
Input current (High)		I <sub>IH</sub>	—	—	2.0	μA	V <sub>I</sub> =V <sub>CC</sub> 【Note 6-7】

【Note 6-1】

On-off conditions for supply voltage

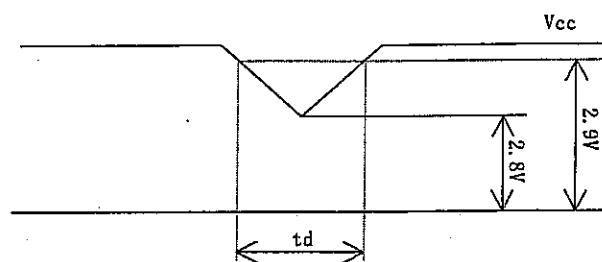
- 0 < t<sub>1</sub> ≤ 10ms
- 0 < t<sub>2</sub> ≤ 10ms
- 0 < t<sub>3</sub> ≤ 1s
- t<sub>4</sub> ≥ 1s



V<sub>cc</sub>-dip conditions

- 1) 2.8V ≤ V<sub>cc</sub> < 2.9V  
t<sub>d</sub> ≤ 10ms
- 2) V<sub>cc</sub> < 2.8V

V<sub>cc</sub>-dip conditions should also follow the on-off conditions.



Black (GS0)



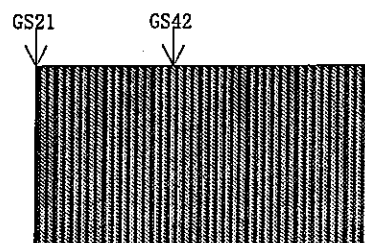
【Note 6-2】

Typical current situation: Black (GS0) pattern

Timing: Typical  
V<sub>CC</sub>= +3.3 V

【Note 6-3】 Maximum current situation: Vertical stripe pattern alternating 21 gray scale (GS21) with 42 gray scale (GS42) every 1 dot.

Timing: Typical  
V<sub>CC</sub>= +3.3 V



【Note 6-4】 CK,R0~R5,G0~G5,B0~B5,Hsync,Vsync,ENAB,HVR

【Note 6-5】 CK,R0~R5,G0~G5,B0~B5,Hsync,Vsync

【Note 6-6】 ENAB

【Note 6-7】 HVR

6-2) Backlight driving section

The backlight system is an edge-lighting type with single CCFT (Cold Cathode Fluorescent Tube).

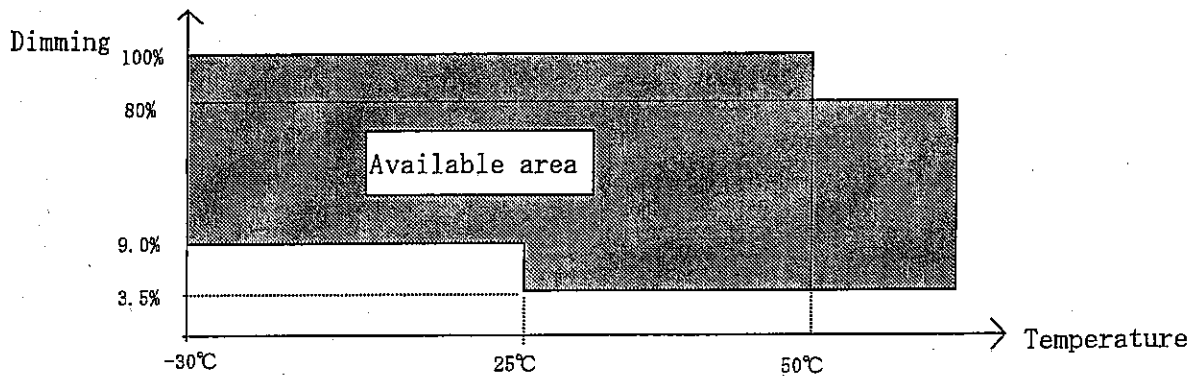
The characteristics of Lamp are shown in the following table.

Table 6-2

Parameter	Symbol	MIN	TYP	MAX	Unit	Remarks
lamp voltage	V L 7	600	670	740	Vrms	I L =5.5mArms
lamp current	I L	5.0	5.5	6.0	mArms	ordinary state
	I L B	—	—	9.0	mArms	PWM dimming state 【Note 6-8】
lamp frequency	f L	30	—	60	kHz	
kick-off voltage	V S	—	—	2120	Vrms	Ta=+25°C
		—	—	2170	Vrms	Ta=-30°C

Inverter : HIU-288 [Harison Toshiba Lighting Corp.] (Output capacitor:22pF,frequency:49kHz)

【Note 6-8】 available area



\* Please turn on the lamp with symmetrical (negative and positive)voltage and current wave form  
Don't use the unsymmetrical voltage and current wave which have spike wave.

7) Timing Characteristics of input signals

Timing diagrams of input signal are shown in Fig.3-A, Fig.3-B.

7-1) Timing characteristics

Table 7-1

Parameter	Symbol	MIN	TYP	MAX	Unit	Remarks
Clock	frequency	1/Tc	4.5	6.3	6.8	MHz
	High time	Tch	50	—	—	ns
	Low time	Tcl	50	—	—	ns
Data	Setup time	Tds	50	—	—	ns
	Hold time	Tdh	50	—	—	ns
Hsync-Clock phase difference	THc	50	—	120	ns	
Hsync-Vsync phase difference	TVh	0	—	TH-10	μs	

Note) In case of lower frequency, the deterioration of display quality, flicker etc., may be occurred.



7-2) Horizontal display position

① In case ENAB is active

The horizontal display position is determined by ENAB signal and the input data corresponding to the rising edge of ENAB signal is displayed at the left end of the active area. (shown in Fig.3-A.)

Parameter		symbol	Min.	Typ.	Max.	Unit	Remark
Horizontal sync. signal	Cycle	TH	50	63.5	80	$\mu s$	
			THe+308	400	440	clock	
	Pulse width	THp	4	12	30	clock	
Enable signal	Setup time	Tes	50	—	Tc-10	ns	
	Pulse width	Tep		320		clock	
Hsync-Enable signal phase difference		THE	14	—	72	clock	
Horizontal display period		THd	320	320	320	clock	

② In case ENAB is "Low". (shown in Fig.3-B)

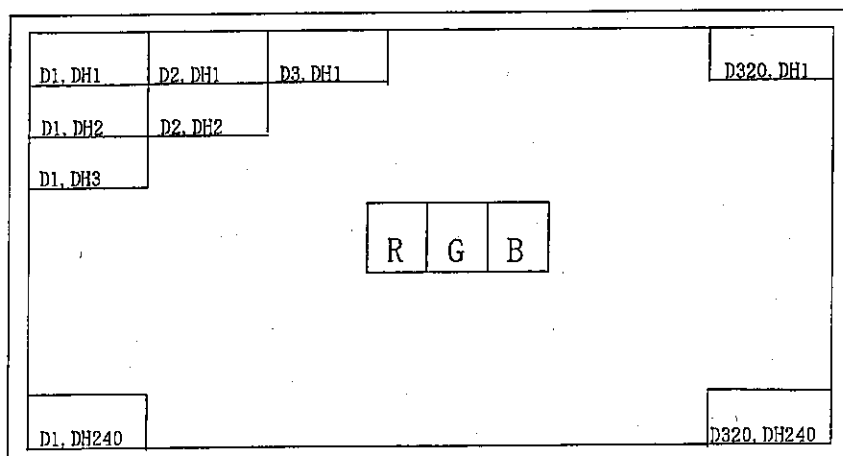
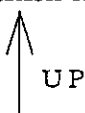
Parameter		symbol	Min.	Typ.	Max.	Unit	Remark
Horizontal sync. signal	Cycle	TH	56	63.5	80	$\mu s$	
			380	400	440	clock	
	Pulse width	THp	4	12	30	clock	
Hsync-data signal phase difference		THE	72	72	72	clock	
Horizontal display period		THd	320	320	320	clock	

7-3) Vertical display position

Parameter		Symbol	MIN	TYP	MAX	Unit	Remarks
Vertical sync. signal	Cycle	TV	246	263	330	line	
	Pulse width	TVp	1	—	—	line	
Vertical display start position		TVs	6	6	6	line	
Vertical display period		TVd	240	240	240	line	

ENAB signal has no relation to the vertical display position.

7-4) Input Data Signals and Display Position on the screen



Display position of input data (H,V)

(8) Input Signals, Basic Display Color and Gray Scale of Each Color

	Colors & Gray scale	Data signal																		
		Gray Scale	R0	R1	R2	R3	R4	R5	G0	G1	G2	G3	G4	G5	B0	B1	B2	B3	B4	B5
Basic color	Black	--	0	0	0	0	0	0	0	0	0	0	0	0	0	0	0	0	0	0
	Blue	--	0	0	0	0	0	0	0	0	0	0	0	0	1	1	1	1	1	1
	Green	--	0	0	0	0	0	0	1	1	1	1	1	1	0	0	0	0	0	0
	Cyan	--	0	0	0	0	0	0	1	1	1	1	1	1	1	1	1	1	1	1
	Red	--	1	1	1	1	1	1	0	0	0	0	0	0	0	0	0	0	0	0
	Magenta	--	1	1	1	1	1	1	0	0	0	0	0	0	1	1	1	1	1	1
	Yellow	--	1	1	1	1	1	1	1	1	1	1	1	1	0	0	0	0	0	0
	White	--	1	1	1	1	1	1	1	1	1	1	1	1	1	1	1	1	1	1
Gray Scale of red	Black	GS0	0	0	0	0	0	0	0	0	0	0	0	0	0	0	0	0	0	0
	↑	GS1	1	0	0	0	0	0	0	0	0	0	0	0	0	0	0	0	0	0
	Darker	GS2	0	1	0	0	0	0	0	0	0	0	0	0	0	0	0	0	0	0
	↑	↓				↓					↓						↓			
	↓	↓				↓					↓						↓			
	Brighter	GS61	1	0	1	1	1	1	0	0	0	0	0	0	0	0	0	0	0	0
	↓	GS62	0	1	1	1	1	1	0	0	0	0	0	0	0	0	0	0	0	0
	Red	GS63	1	1	1	1	1	1	0	0	0	0	0	0	0	0	0	0	0	0
Gray Scale of green	Black	GS0	0	0	0	0	0	0	0	0	0	0	0	0	0	0	0	0	0	0
	↑	GS1	0	0	0	0	0	0	1	0	0	0	0	0	0	0	0	0	0	0
	Darker	GS2	0	0	0	0	0	0	0	1	0	0	0	0	0	0	0	0	0	0
	↑	↓				↓					↓						↓			
	↓	↓				↓					↓						↓			
	Brighter	GS61	0	0	0	0	0	0	1	0	1	1	1	1	0	0	0	0	0	0
	↓	GS62	0	0	0	0	0	0	0	1	1	1	1	1	0	0	0	0	0	0
	Green	GS63	0	0	0	0	0	0	1	1	1	1	1	1	0	0	0	0	0	0
Gray Scale of bleu	Black	GS0	0	0	0	0	0	0	0	0	0	0	0	0	0	0	0	0	0	0
	↑	GS1	0	0	0	0	0	0	0	0	0	0	0	0	1	0	0	0	0	0
	Darker	GS2	0	0	0	0	0	0	0	0	0	0	0	0	0	1	0	0	0	0
	↑	↓				↓					↓						↓			
	↓	↓				↓					↓						↓			
	Brighter	GS61	0	0	0	0	0	0	0	0	0	0	0	0	1	0	1	1	1	1
	↓	GS62	0	0	0	0	0	0	0	0	0	0	0	0	0	1	1	1	1	1
	Blue	GS63	0	0	0	0	0	0	0	0	0	0	0	0	1	1	1	1	1	1

0:Low level voltage    1:High level voltage

Each basic color can be displayed in 64 gray scales from 6 bit data signals. According to the combination of total 18 bit data signals, the 262,144-color display can be achieved on the screen.

(9)Optical characteristics

Table 9-1

Ta=+25°C, VCC=+3.3V

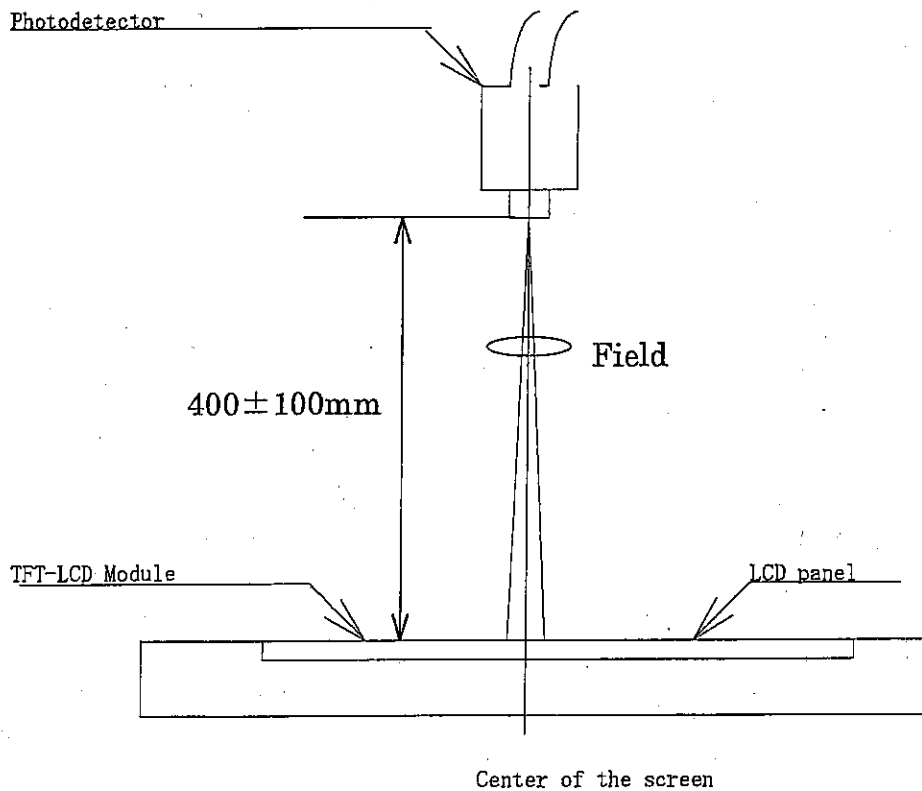
Parameter	Symbol	Condition	Min	Typ	Max	Unit	Remarks	
Viewing angle range	$\Delta \theta 11$	CR $\geq$ 5	60	65	—	° (degree)	【Note 9-1,4】	
	$\Delta \theta 12$		50	55	—	° (degree)		
	$\Delta \theta 2$		60	65	—	° (degree)		
Contrast ratio	CRmax	Optimal	100	—	—		【Note 9-2,4】	
Response time	Rise	$\theta = 0^\circ$	—	30	60	ms	【Note 9-3,4】	
	Fall		—	50	100	ms		
Luminance	Y	IL=5.5mA rms	285	380	—	cd/m <sup>2</sup>	【Note 9-5】	
White chromaticity	x	IL=5.5mA rms	0.263	0.313	0.363		【Note 9-5】	
	y		0.279	0.329	0.379			
lamp life time	+25°C	-	continuation	20,000	—	—	hour	【Note 9-6】
	-30°C	-	intermission	2,000	—	—	times	【Note 9-7】

DC/AC inverter for external connection shown in following.

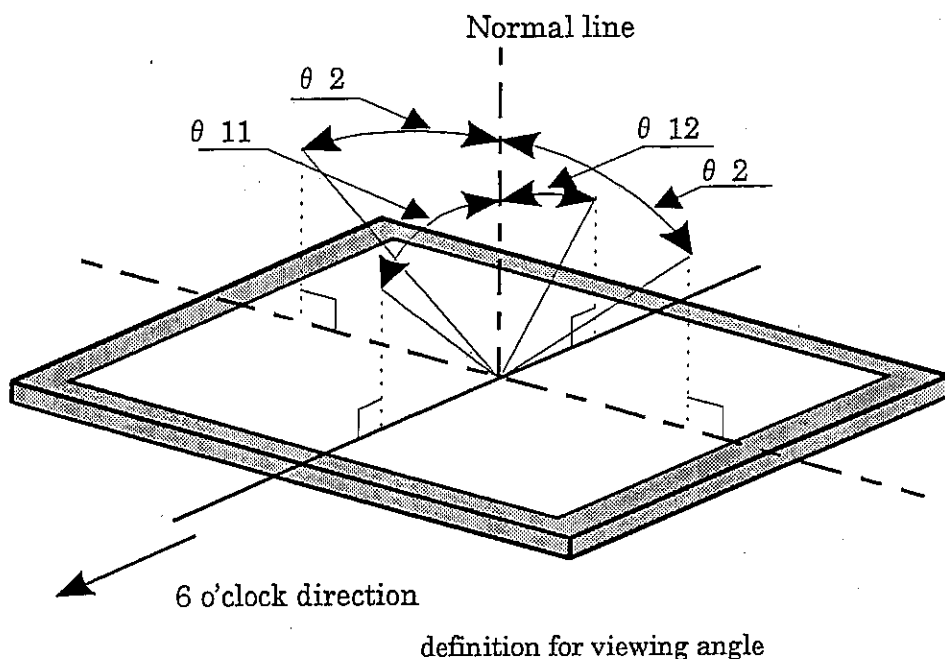
Inverter : HIU-288 [Harison Tbsihba Lighting Corp.] (Output capasitor:22pF,frequency:49kHz)

※measuring after 30minutes

Fig.9-1 Optical characteristics measurement method



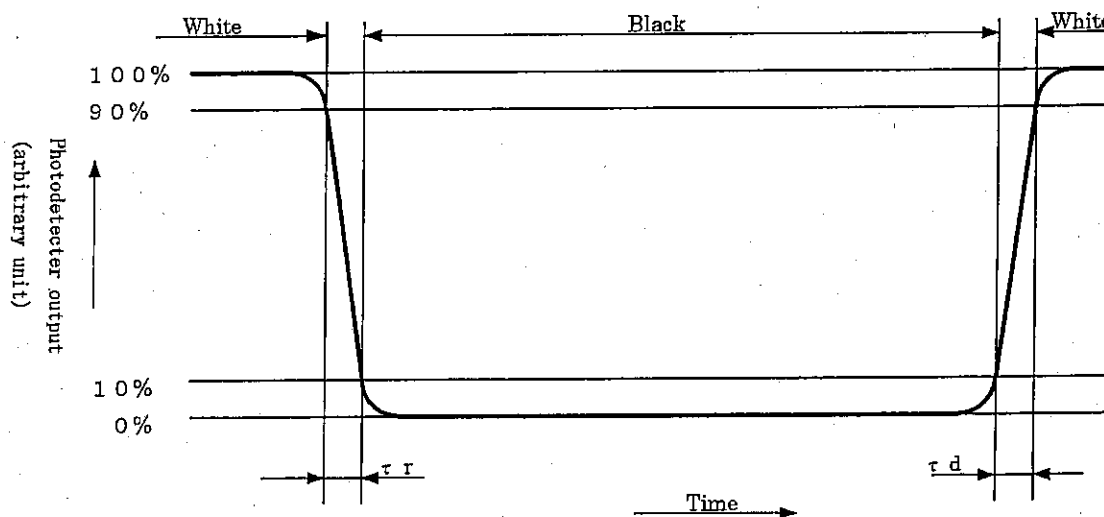
[Note 9-1] Viewing angle range is defined as follows.



[Note 9-2] Contrast ratio is defined as follows:

$$\text{Contrast ratio(CR)} = \frac{\text{Photo detector output with LCD being "white"}}{\text{Photo detector output with LCD being "black"}}$$

[Note 9-3] Response time is obtained by measuring the transition time of photo detector output, when input signals are applied so as to make the area "black" to and from "white".



**[Note 9-4]** Measured on the center area of the panel at a viewing cone 2° (= Filed) by TOPCON luminance meter BM-5A or ELDIM luminance meter EZ Contrast. (After 30 minutes operation)

DC/AC inverter driving frequency:( 49 kHz)

**[Note 9-5]** Measured on the center area of the panel at a viewing cone 1° (= Filed) by TOPCON luminance meter BM-7.(After 30 minutes operation)

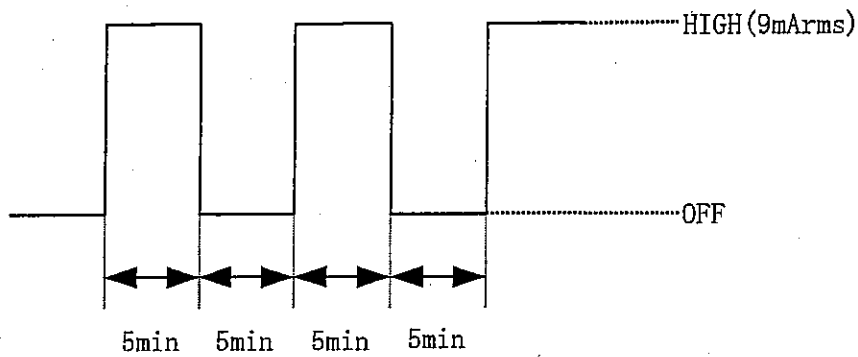
DC/AC inverter driving frequency:( 49 kHz)

**[Note 9-6]** Lamp life time is defined as the time when either or occurs in the continuous operation under the condition of lamp current  $I_L=5.5\text{mA}_{rms}$  and PWM dimming 80%~5% ( $I_L=9.0\text{mA}_{rms}$   $T_a=25^\circ\text{C}$ ).

Brightness not to become under 50% of the original value.

**[Note 9-7]** The intermittent cycles is defined as a time when brightness not to become under 50% of the original value under the condition of following cycle.

Ambient temperature:-30°C



(10) Mechanical characteristics

10-1) External appearance

Do not exist extreme defects. (See Fig. 1)

10-2) Panel toughness

The panel shall not be broken ,when 19N is pressed on the center of the panel by a smooth sphere having 15 mm diameter.

Caution: In spite of very soft toughness, if, in the long-term, add pressure on the active area, it is possible to occur the functional damage.

10-3) Input/output connector performance

I/O connector of backlight driving circuit [JST]

Lump connector

Symbol	Used Connector	Corresponding connector
CN A, B	BHR-02(8.0)VS-1N	SM02(8.0)B-BHS-1N(assembled on PWB)
		SM02(8.0)B-BHS-TB(assembled on PWB)
		BHMR-03V (interconnector)

(11) Display quality

The display quality of the color TFT-LCD module shall be in compliance with the Incoming Inspection Standards for TFT-LCD.

(12) Handling instructions

12-1) Mounting of module

The TFT-LCD module is designed to be mounted on equipment using the mounting tabs in the four corners of the module at the rear side.

On mounting the module, as the M2.6 tapping screw fastening torque is 0.3 through 0.5N·m is recommended, be sure to fix the module on the same plane, taking care not to wrap or twist the module.

Don't reach the pressure of touch-switches of the set side to a module directly, because images may be disturbed.

Please power off the module when you connect the input/output connector.

Please connect the metallic shielding cases of the module and the ground pattern of the inverter circuit surely. If that connection is not perfect, there may be a possibility that the following problems happen.

- a). The noise from the backlight unit will increase.
- b). The output from inverter circuit will be unstable. Then, there may be a possibility that some problems happen.
- c). In some cases, a part of module will heat.
- d). Please taking care to pull back-light's cable, when you connect the back-light cable's connector.

## 12-2) Precautions in mounting

Polarizer which is made of soft material and susceptible to flaw must be handled carefully.

Protective film (Laminator) is applied on the surface to protect it against scratches and dirties. It is recommended to peel off the laminator immediately before the use, taking care of static electricity.

Precautions in peeling off the laminator

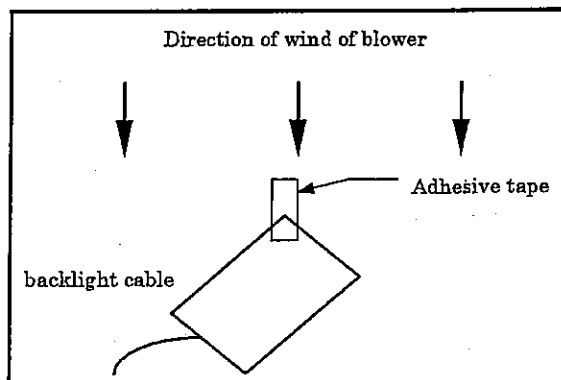
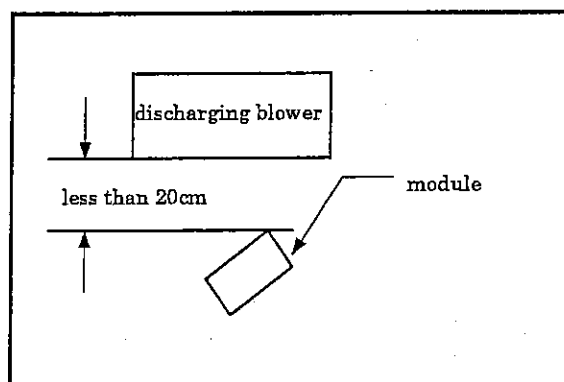
### A) Working environment

When the laminator is peeled off, static electricity may cause dust to stick to the polarizer surface. To avoid this, the following working environment is desirable.

- Floor: Conductive treatment of  $1M\Omega$  or more on the tile  
(conductive mat or conductive paint on the tile)
- Clean room free from dust and with an adhesive mat on the doorway
- Advisable humidity: 50%~70%      Advisable temperature: 15°C~27°C
- Workers shall wear conductive shoes, conductive work clothes, conductive gloves and an earth band.

### B) Working procedures

- Direct the wind of discharging blower somewhat downward to ensure that module is blown sufficiently. Keep the distance between module and discharging blower within 20 cm.
- Attach adhesive tape to the laminator part near discharging blower so as to protect polarizer against flaw.
- Peel off laminator, pulling adhesive tape slowly to your side taking 5 or more second.
- On peeling off the laminator, pass the module to the next work process to prevent the module to get dust.
- Method of removing dust from polarizer
  - Blow off dust with N<sub>2</sub> blower for which static electricity preventive measure has been taken.
  - Since polarizer is vulnerable, wiping should be avoided.



But when the panel has stain or grease, we recommend to use adhesive tape to softly remove them from the panel.

When metal part of the TFT-LCD module (shielding lid and rear case) is soiled, wipe it with soft dry cloth. For stubborn dirties, wipe the part, breathing on it. Wipe off water drop or finger grease immediately. Long contact with water may cause discoloration or spots. TFT-LCD module uses glass which breaks or cracks easily if dropped or bumped on hard surface. Handle with care. Since CMOS LSI is used in this module, take care of static electricity and earth your body when handling.



### 12-3) Precautions in adjusting module

Adjusting volumes on the rear face of the module have been set optimally before shipment. Therefore, do not change any adjusted values. If adjusted values are changed, the specifications described here may not be satisfied.

### 12-4) Caution of product design

The LCD module shall be protected against water salt-water by the waterproof cover.

Please take measures to interferential radiation from module, to do not interfere surrounding appliances.

### 12-5) Others

Do not expose the module to direct sunlight or intensive ultraviolet rays for many hours; liquid crystal is deteriorated by ultraviolet rays. Store the module at a temperature near the room temperature. At lower than the rated storage temperature, liquid crystal solidifies, causing the panel to be damaged. At higher than the rated storage temperature, liquid crystal turns into isotropic liquid and may not recover. The voltage of beginning electric discharge may over the normal voltage because of leakage current from approach conductor by to draw lump read lead line around. If LCD panel breaks, there may be a possibility that the liquid crystal escapes from the panel. Since the liquid crystal is injurious, do not put it into the eyes or mouth. When liquid crystal sticks to hands, feet or clothes, wash it out immediately with soap. Observe all other precautionary requirements in handling general electronic components.

### (13) Packing form (shown in Fig.5.)

Piling number of cartons	: MAX 10
Package quantity in one carton	: 20 pcs
Carton size	: 388 (W) × 293 (H) × 190 (D) mm
Total mass of one carton filled with full modules	: MAX 5kg

#### Conditions for storage.

##### Environment

- ①Temperature : 0~40°C
- ②Humidity : 60%RH or less (at 40°C)  
No dew condensation at low temperature and high humidity.
- ③Atmosphere : Harmful gas, such as acid or alkali which bites electronic components and/or wires, must not be detected.
- ④Period : about 3 months
- ⑤Opening of the package : In order to prevent the LCD module from breakdown by electrostatic charges, please control the room humidity over 50%RH and open the package taking sufficient countermeasures against electrostatic charges, such as earth, etc.

### (14) Reliability test

Reliability test conditions for the TFT-LCD module are shown in Table 14.

(15) Others

Adjusting volume have been set optimally before shipment, so do not change any adjusted value.  
 If adjusted value is changed, the specification may not be satisfied.  
 Disassembling the module can cause permanent damage and should be strictly avoided.  
 Please be careful since image retention may occur when a fixed pattern is displayed for a long time.

15-1) Indication of lot number

①Attached location of the label : See Fig. 1

②Indicated contents of the

LQ050Q5DR01	○○○○○○○○
model No.	lot No.

contents of lot No.            the 1st figure .. production year ( ex. 2001:1 )  
                                  the 2nd figure .. production month 1,2,3,.....,9,X,Y,Z  
                                  the 3rd~8th figure .. serial No. 000001~  
                                  the 9th figure .. revision marks A,B,C..

Reliability Test Conditions for TFT-LCD Module

Table 14

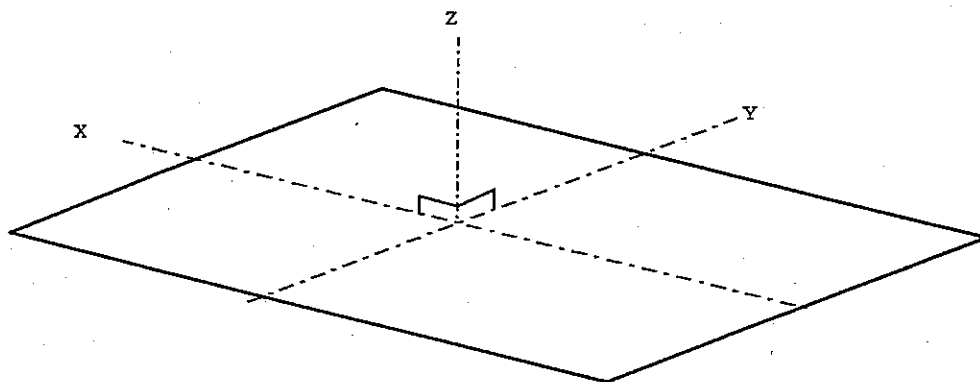
Remark) Temperature condition is based on operating temperature conditions on (5)-Table 5-1.

No.	Test items	Test conditions
1	High temperature storage test	Ta= +95°C 240h
2	Low temperature storage test	Ta= -40°C 240h
3	High temperature and high humidity operating test	Tp= +60°C , 95%RH 240h
4	High temperature operating test	Tp= +85°C 240h
5	Low temperature operating test	Tp= -30°C 240h
6	Electro static discharge test	±200V · 200pF(0Ω) 1 time for each terminals
7	Shock test	980m/s <sup>2</sup> · 6ms, ±X ; ±Y ; ±Z 3 times for each direction (JIS C0041, A-7 Condition C)
8	Vibration test	Frequency range : 8~33.3Hz Stroke : 1.3mm Sweep : 33.3Hz~400Hz Acceleration : 28.4m/s <sup>2</sup> Cycle : 15 minutes X,Z 2 hours for each directions, 4 hours for Y direction (total 8 hours) [caution] (JIS D1601)
9	Heat shock test	Ta= -40°C~+95°C / 200 cycles (0.5h) (0.5h)

[Note] Ta= Ambient temperature, Tp= Panel temperature

[Check items] In the standard condition, there shall be no practical problems that may affect the display function.

[caution] X,Y,Z directions are shown as follows:



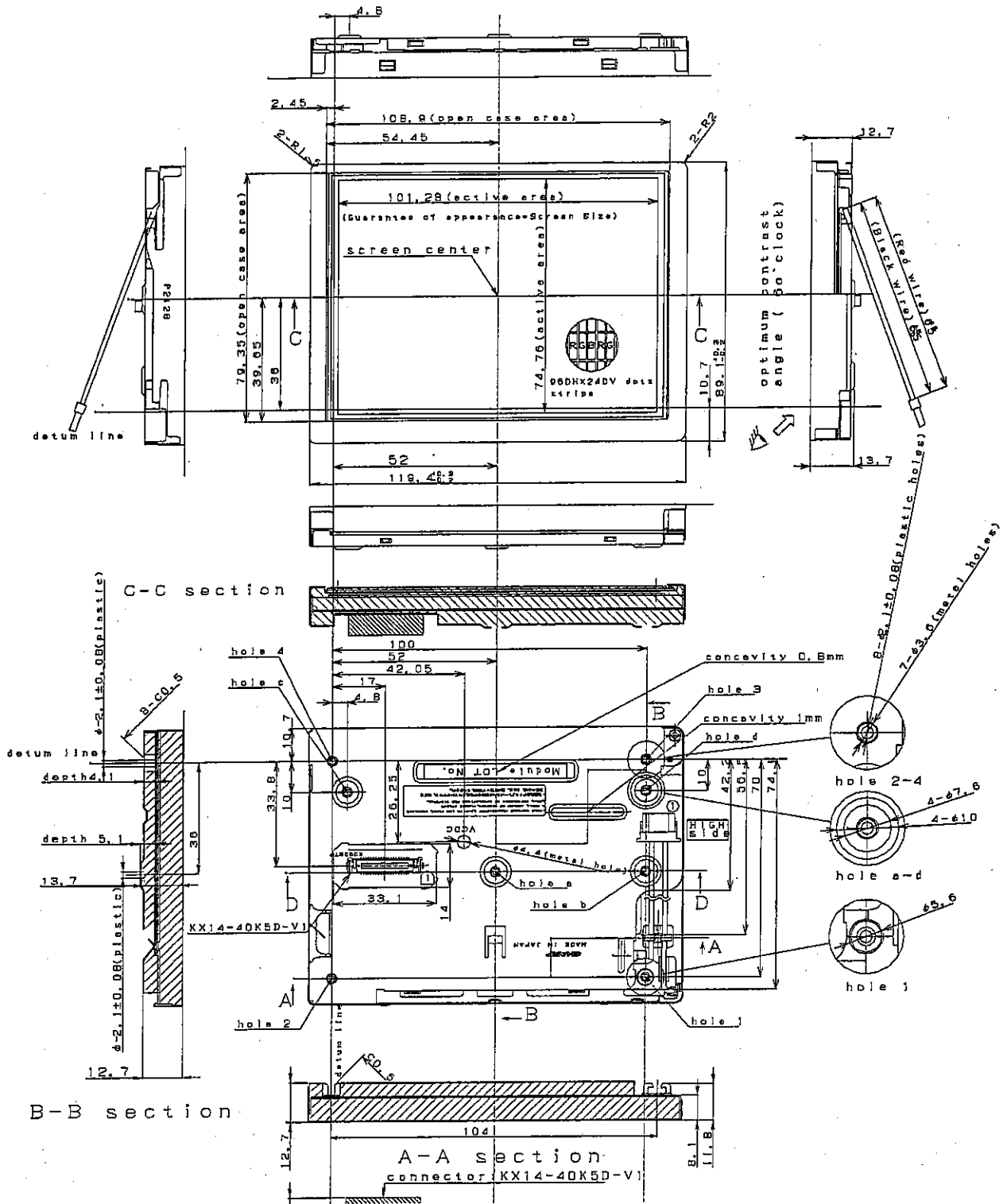


Fig.1 Outline Dimensions

- (note 4) hole a~b=φ2.1±0.08 depth 5.1 in plastic min
- (note 3) hole 1~4=φ2.1±0.08 depth 4.1 in plastic min
- (note 2) Unit is mm
- (note 1) General tolerance is ±0.3

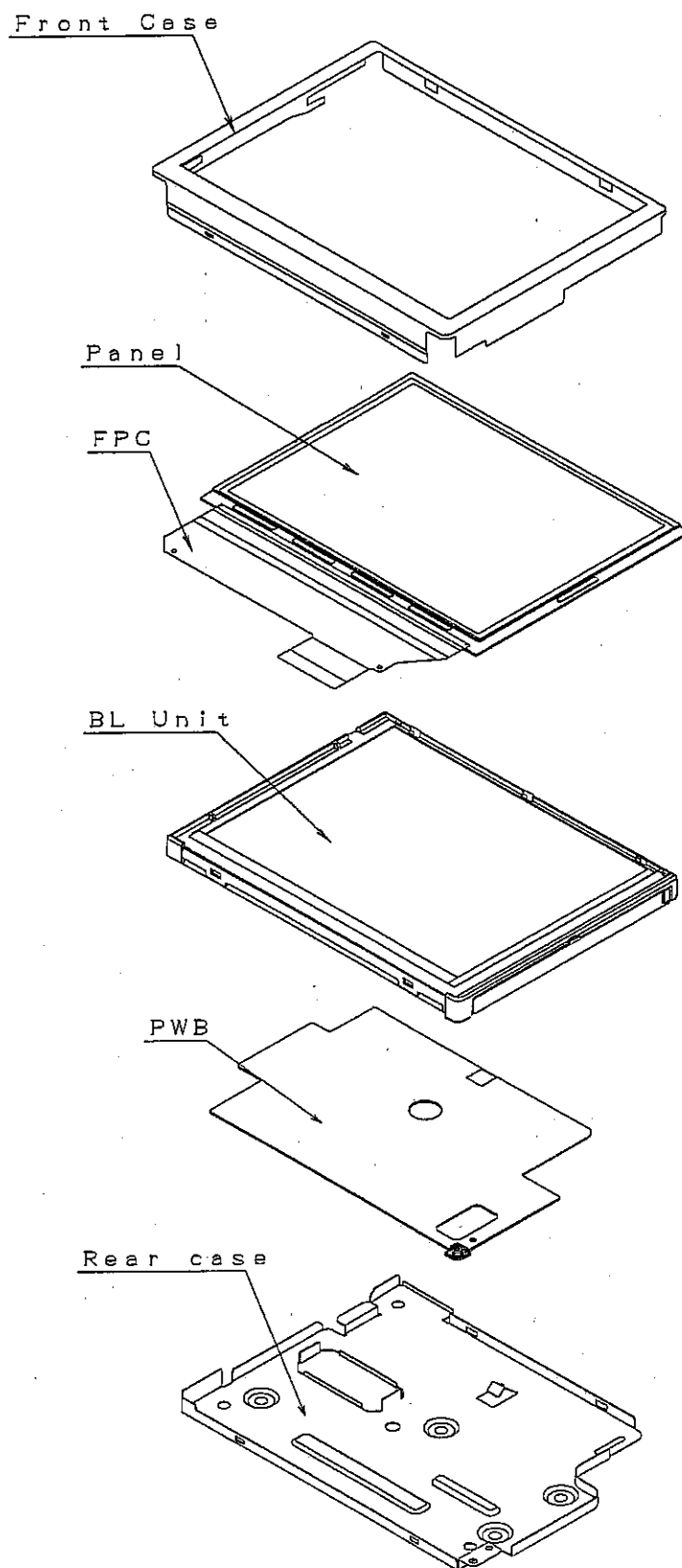


Fig.2. Structure of the module

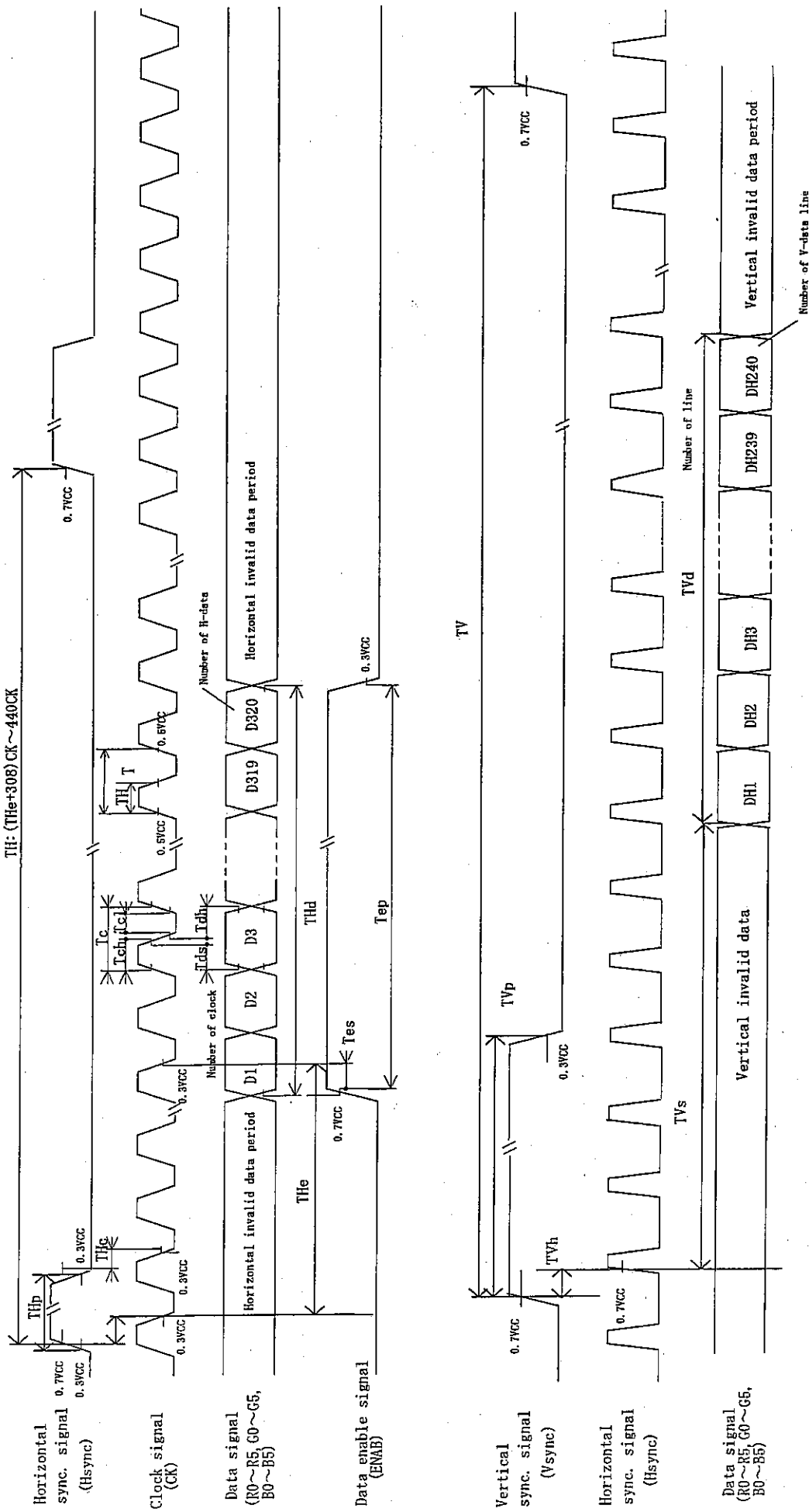


Fig3-A Input signal waveform

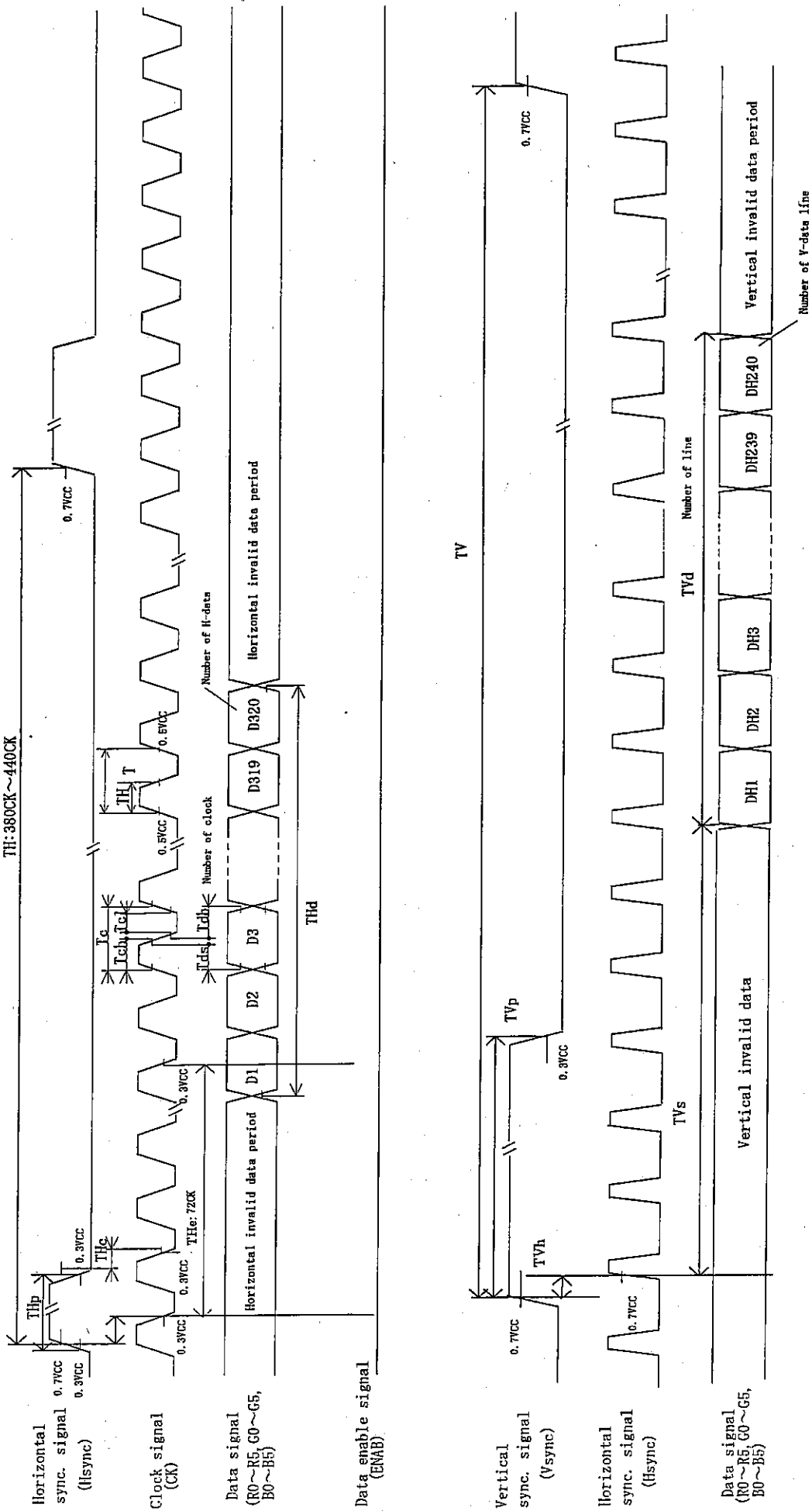
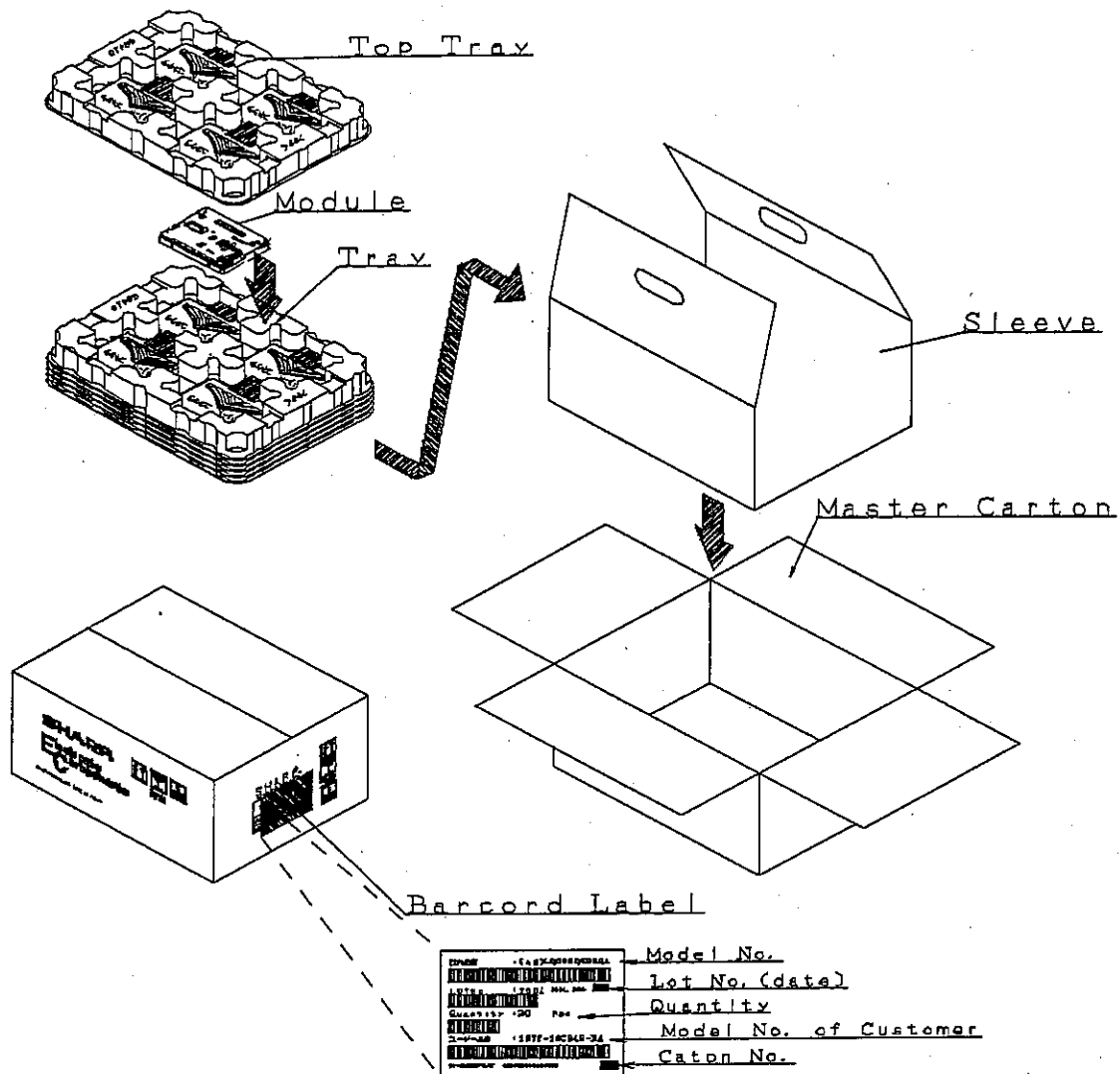


Fig3-B Input signal waveform





size: 388X293X190 (mm)  
 weight: 5.0kg (max)

20 Modules in each carton

Fig.4. Packing form