



Chipsmall Limited consists of a professional team with an average of over 10 year of expertise in the distribution of electronic components. Based in Hongkong, we have already established firm and mutual-benefit business relationships with customers from,Europe,America and south Asia,supplying obsolete and hard-to-find components to meet their specific needs.

With the principle of "Quality Parts,Customers Priority,Honest Operation,and Considerate Service",our business mainly focus on the distribution of electronic components. Line cards we deal with include Microchip,ALPS,ROHM,Xilinx,Pulse,ON,Everlight and Freescale. Main products comprise IC,Modules,Potentiometer,IC Socket,Relay,Connector.Our parts cover such applications as commercial,industrial, and automotives areas.

We are looking forward to setting up business relationship with you and hope to provide you with the best service and solution. Let us make a better world for our industry!




Contact us

Tel: +86-755-8981 8866 Fax: +86-755-8427 6832

Email & Skype: info@chipsmall.com Web: www.chipsmall.com

Address: A1208, Overseas Decoration Building, #122 Zhenhua RD., Futian, Shenzhen, China



PREPARED BY : DATE	 DISPLAY DEVICE BUSINESS GROUP SHARP CORPORATION SPECIFICATION	SPEC No. LD-24403B
APPROVED BY : DATE		FILE No. LD-24403B
		ISSUE : 27-Apr-12
		PAGE : 22pages
		APPLICABLE GROUP DISPLAY DEVICE BUSINESS GROUP

REVISION : 20-Jun-12

DEVICE SPECIFICATION FOR


TFT-LCD Module

MODEL No.

LQ104S1LG81

These parts have corresponded with the RoHS directive.

CUSTOMER'S APPROVAL
BY _____

BY 
 J.Kawanishi
 GENERAL MANAGER
 ENGINEERING DEPARTMENT I
 DISPLAY DEVICE DIVISION II
 DISPLAY DEVICE BUSINESS GROUP
 SHARP CORPORATION

No.		page
1	Application	1
2	Overview	2
3	Mechanical Specifications	2
4	Input Terminals	3~6
5	Absolute Maximum Ratings	6
6	Electrical Characteristics	7,8
7	Timing characteristics of input signals	9
8	Input Signals, Basic Display Colors and Gray Scale of Each Color ..	10
9	Optical Characteristics	11,12
10	Handling Precautions	13,14
11	Packing form	15
12	Reliability test items	15
13	Others	16
14	Storage conditions	17
Fig.1	OUTLINE DIMENSIONS	18
Fig.3	PACKING FORM	19

1. Application

This specification applies to the color TFT-LCD module LQ104S1LG81.

This specification is the proprietary product of SHARP CORPORATION (SHARP) and include materials protected under copyright of SHARP. Do not reproduce or cause any third party to reproduce them in any form or by any means, electronic or mechanical, for any purpose, in whole or in part, without the express written permission of SHARP.

The device listed in this specification was designed and manufactured for use in general electronic equipment.

In case of using the device for applications such as control and safety equipment for transportation (controls of aircraft, trains, automobiles, etc.), rescue and security equipment and various safety related equipment which require higher reliability and safety, take into consideration that appropriate measures such as fail-safe functions and redundant system design should be taken.

Do not use the device for equipment that requires an extreme level of reliability, such as aerospace applications, telecommunication equipment (trunk lines), nuclear power control equipment and medical or other equipment for life support.

SHARP assumes no responsibility for any damage resulting from the use of the device which does not comply with the instructions and the precautions specified in this specification .

Contact and consult with a SHARP sales representative for any questions about this device.

2. Overview

This module is a color active matrix LCD module incorporating amorphous silicon TFT (Thin Film Transistor). It is composed of a color TFT-LCD panel, driver ICs, control circuit, power supply circuit and a White-LED Backlight unit. Graphics and texts can be displayed on a 800 × RGB × 600dots panel with about 262,144 million colors by using LVDS (Low Voltage Differential Signaling) and supplying +3.3V DC supply voltages for TFT-LCD panel driving and supply voltage for backlight.

The TFT-LCD panel used for this module is a low-reflection and higher-color-saturation type.

The maximum viewing angle is in the 6 o'clock direction.

The 12 o'clock direction is difficult to reverse the grayscale.

The LED driver circuit to drive the backlight is built into the module.

3. Mechanical technical literatures

Parameter	technical literatures	Unit
Display size	26 (10.4inch) Diagonal	cm
Active area	211.2 (H) × 158.4 (V)	mm
Pixel format	800 (H) × 600 (V) (1pixel=R+G+B dot)	pixel
Aspect ratio	4:3	
Pixel pitch	0.264 (H) × 0.264 (V)	mm
Pixel configuration	R,G,B vertical stripe	
Display mode	Normally white	
Unit outline dimensions	246.5 (W) × 179.3 (H) × 12.5 (D)	mm
Mass	max 500	g
Surface treatment	Anti-glare and hard-coating 3H	

Outline dimensions are shown in Fig.1.

4. Input Terminals

4-1. TFT-LCD panel driving

CN1 (Interface signals and +3.3V power supply)

Used connector: FI-SEB20P-HFE(JAE)

Corresponding connectors: FI-SE20M or FI-S20S(conector) (JAE)

CN1

Pin	Symbol	Function	Remark
1	VCC	+3.3V Power supply	
2	VCC	+3.3V Power supply	
3	GND		
4	GND		
5	RxIN0-	LVDS receiver signal CH0 (-)	LVDS
6	RxIN0+	LVDS receiver signal CH0 (+)	LVDS
7	GND		
8	RxIN1-	LVDS receiver signal CH1 (-)	LVDS
9	RxIN1+	LVDS receiver signal CH1 (+)	LVDS
10	GND		
11	RxIN2-	LVDS receiver signal CH2 (-)	LVDS
12	RxIN2+	LVDS receiver signal CH2 (+)	LVDS
13	GND		
14	RXCLK IN-	LVDS receiver signal CK (-)	LVDS
15	RXCLK IN+	LVDS receiver signal CK (+)	LVDS
16	GND		
17	NC		
18	SCAN	Horizontal/Vertical display mode select signal	【Note1】
19	GND		
20	GND		

【Note1】 SCAN = LOW

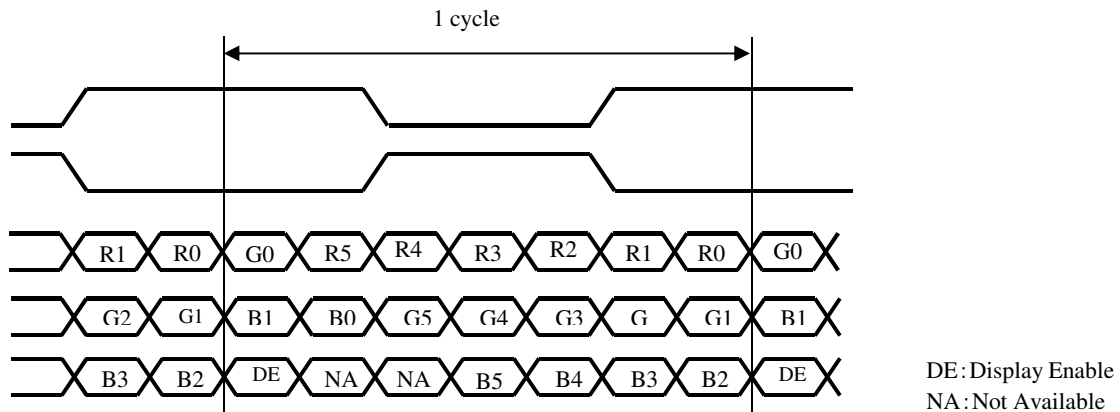


SCAN = HIGH



4-2. Data Mapping

1) data mapping



2) When you use the transmitter in 6bits

Corresponding LVDS Transmitter THC63LVDM63A (Thine electronics) or Compatible product

Transmitter		
Pin No	Data	
24	TxIN0	R0 (LSB)
26	TxIN1	R1
27	TxIN2	R2
29	TxIN3	R3
30	TxIN4	R4
31	TxIN5	R5 (MSB)
33	TxIN6	G0 (LSB)
34	TxIN7	G1
35	TxIN8	G2
37	TxIN9	G3
39	TxIN10	G4
40	TxIN11	G5(MSB)
41	TxIN12	B0 (LSB)
43	TxIN13	B1
45	TxIN14	B2
46	TxIN15	B3
47	TxIN16	B4
1	TxIN17	B5(MSB)
2	TxIN18	(NA)
4	TxIN19	(NA)
5	TxIN20	DE

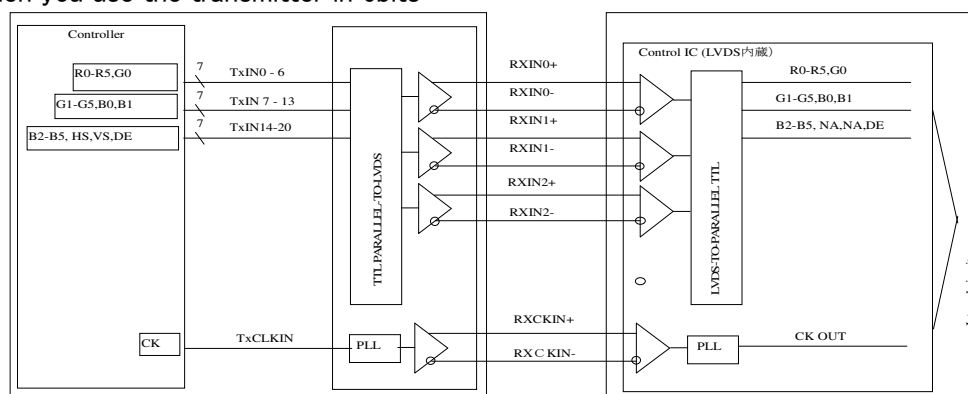
3) When you use the transmitter in 8 bits

Corresponding LVDS Transmitter THC63LVDM83R(Thine electronics) or Compatible product

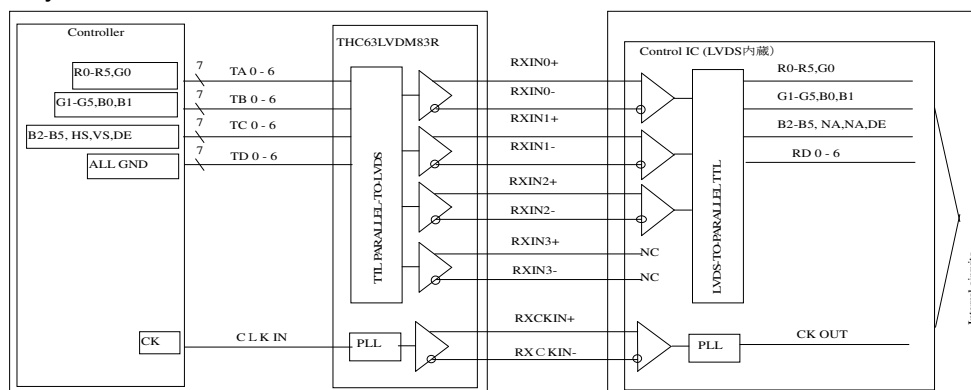
Transmitter		
Pin No	Data	
51	TA0	R0 (LSB)
52	TA1	R1
54	TA2	R2
55	TA3	R3
56	TA4	R4
3	TA5	R5 (MSB)
4	TA6	G0 (LSB)
6	TB0	G1
7	TB1	G2
11	TB2	G3
12	TB3	G4
14	TB4	G5(MSB)
15	TB5	B0 (LSB)
19	TB6	B1
20	TC0	B2
22	TC1	B3
23	TC2	B4
24	TC3	B5(MSB)
27	TC4	(NA)
28	TC5	(NA)
30	TC6	DE
50	TD0	GND
2	TD1	GND
8	TD2	GND
10	TD3	GND
16	TD4	GND
18	TD5	GND
25	TD6	GND

4-3. Interface block diagram

1) When you use the transmitter in 6bits



2) When you use the transmitter in 8bits



4-4. LED backlight

LED backlight connector

CN2 Used connector : SM06B-SHLS-TF (JST \triangle)
 Corresponding connector : SHLP-06V-S-B (JST \triangle)

Connector No.	Pin No.	symbol	function
CN2	1	V_{DD}	+12V power supply
	2	V_{DD}	+12V power supply
	3	GND	GND
	4	GND	GND
	5	XSTABY	Backlight ON/OFF signal
	6	VBR	PWM signal

5. Absolute Maximum Ratings

Parameter	Symbol	Condition	Pin	Ratings	Unit	Remark
Supply voltage	V_{CC}	$T_a=25^\circ\text{C}$	VCC	-0.3 ~ +4.0	V	【Note1,2】
	V_{DD}	$T_a=25^\circ\text{C}$	VDD	-0.3 ~ +15	V	【Note1,2】
Input voltage	V_{I1}	$T_a=25^\circ\text{C}$	SCAN	-0.3~ $V_{CC}+0.3$	V	
	V_{I2}	$T_a=25^\circ\text{C}$	RxINi-/+ RXCLK IN-/+	-0.3~ $V_{CC}+0.3$	V	i=0,1,2,3
	V_{I3}	$T_a=25^\circ\text{C}$	XSTABY, VBR	-0.3~+6	V	
Storage temperature	TSTG	—	—	-30 ~ +80	$^\circ\text{C}$	【Note1】
Operating temperature	TOPA	—	—	-30 ~ +80	$^\circ\text{C}$	【Note1,3,4】

【Note1】 Humidity: 95%RH Max.($T_a \leq 40^\circ\text{C}$) Note static electricity.

Maximum wet-bulb temperature at 39°C or less. ($T_a > 40^\circ\text{C}$) No condensation.

【Note2】 The V_{CC} power supply capacity must use the one of 2A or more.

The V_{DD} power supply capacity must use the one of 3A or more.

【Note3】 There is a possibility of causing deterioration in the irregularity and others of the screen and the display fineness though the liquid crystal module doesn't arrive at destruction when using it at $65 \sim 80^\circ\text{C}$.

【Note4】 In the operating temperature item, the low temperature side is the ambient temperature regulations.

The high temperature side is the panel surface temperature regulations.

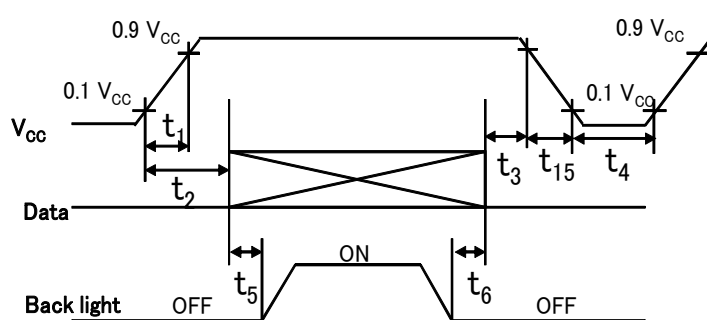
6. Electrical Characteristics

6-1. TFT-LCD panel driving

 $T_a = +25^\circ\text{C}$

Parameter	Symbol	Condition	Min.	Typ.	Max.	Unit	Remark
Supply voltage	V_{CC}		3.0	3.3	3.6	V	【Note1】
Current dissipation	I_{CC}	$V_{CC}=3.3\text{V}$	—	240	360	mA	【Note2】
LVDS Input voltage	V_L		0	—	2.5	V	【Note4】
Permissive input ripple voltage	V_{RP}		—	—	100	mV _{P-P}	$V_{CC} = 3.3\text{V}$
Differential input Threshold voltage	High	V_{TH}	—	—	$V_{CM} + 100$	mV	$V_{CM} = +1.25\text{V}$ 【Note4】
	Low	V_{TL}	$V_{CM} - 100$	—	—	mV	
Input voltage		V_{IH}	2.0	—	$V_{CC} + 0.3$	V	【Note3】
		V_{IL}	-0.3	—	0.8	V	
Input leak current		I_{OH}	—	—	400	μA	$V_{I2} = +3.3\text{V}$ 【Note3】
		I_{OL}	-5	—	—	μA	$V_{I2} = 0\text{V}$ 【Note3】
Terminal resistor	R_T		—	100	—	Ω	Differential input

【Note1】 On-off conditions for supply voltage



$$20\ \mu\text{s} < t_1 \leq 10\text{ms}$$

$$0 < t_2 \leq 20\text{ms}$$

$$0 < t_3 \leq 1\text{s}$$

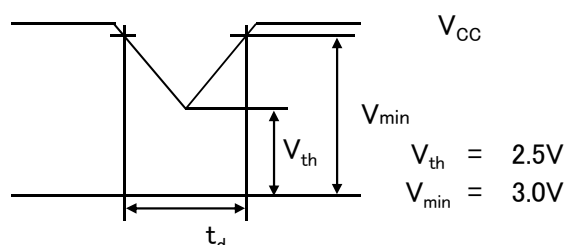
$$1\text{s} \leq t_4$$

$$300\text{ms} \leq t_5$$

$$300\text{ms} \leq t_6$$

$$t_{15} \leq 100\text{ms}$$

Vcc-dip conditions



$$\begin{aligned} & \cdot V_{th} < V_{CC} \leq V_{min} \\ & \quad t_d \leq 10\text{ms} \end{aligned}$$

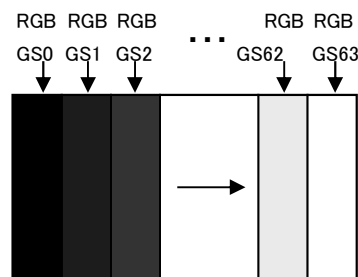
$$\cdot V_{CC} < V_{th}$$

Vcc-dip conditions should also follow the On-off conditions for supply voltage

- The relation between the data input and the backlight lighting will recommend the above-mentioned input sequence. When the backlight is turned on before the panel operates, there is a possibility of abnormally displaying. The liquid crystal module is not damaged.

【Note2】 Current dissipation

Typical current situation : 64-gray-bar pattern
($V_{CC}=+3.3\text{V}$, $f_{ck} = 40\text{MHz}$, $T_a=25^\circ\text{C}$)



【Note3】 SCAN

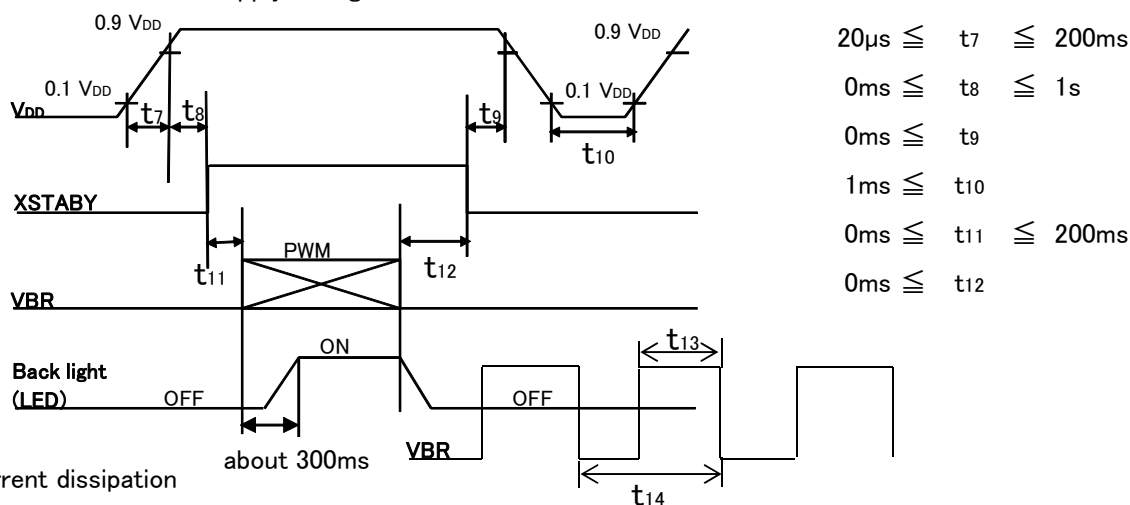
【Note4】 RXIN0-,RXIN0+,RXIN1-,RXIN1+,RXIN2-,RXIN2+,RXCLK IN-,RXCLK IN+

6-2. LED backlight

Ta=+25°C

Parameter	Symbol	Min.	Typ.	Max.	Unit	Remark	
Supply voltage	V _{DD}	10.8	12.0	13.2	V	【Note1】	
Current dissipation	I _{DD1}	-	440	460	mA	【Note2】	
	I _{DD2}	-	-	10.0	μA	【Note3,4】	
Permissible input ripple voltage	V _{RP-_{BL}}	-	-	200	mV _{P-P}	V _{DD} =+12.0V	
XSTABY	High voltage	V _{IH-_{BL1}}	2.6	-	5.5	V	【Note3】V _{DD} =12V
	Low voltage	V _{IL-_{BL1}}	-	-	0.4	V	【Note3】V _{DD} =12V
	Leak current	I _{IL-_{XST}}	-	-	2.0	mA	【Note3】V _{IH-_{XST}} =5.5V
VBR	High voltage	V _{IH-_{BL2}}	2.1	-	5.5	V	【Note4】V _{DD} =12V
	Low voltage	V _{IL-_{BL2}}	-	-	0.4	V	【Note4】V _{DD} =12V
	Leak current	I _{IL-_{VBR}}	-	-	2.0	mA	【Note4】 V _{IH-_{XST}} =5.5V
PWM frequency	f _{PWM}	200	-	1,000	Hz	【Note4,5】	
PWM duty ratio	DP _{PWM}	10	-	100	%	【Note4,5】	
Life time	L	-	50,000 (Module)	-	h	【Reference】 【Note6】	

【Note1】 On-off conditions for supply voltage



【Note2】 Current dissipation

Typ. value: V_{DD}= +12V、Duty=100%

【Note3】 XSTABY is connected by the pull-down resistor of about 100kΩ.

【Note4】 VBR is connected by the pull-down resistor of about 100kΩ.

【Note5】 PWM

$$f_{\text{PWM}} = 1/t_{14} \quad , \quad \text{DP}_{\text{PWM}} = t_{13}/t_{14}$$

Duty 10% : Min. Luminance

Duty 100% : Max. Luminance

Luminance changes in proportion to the duty ratio.

When the frequency slows, the display fineness might decrease.

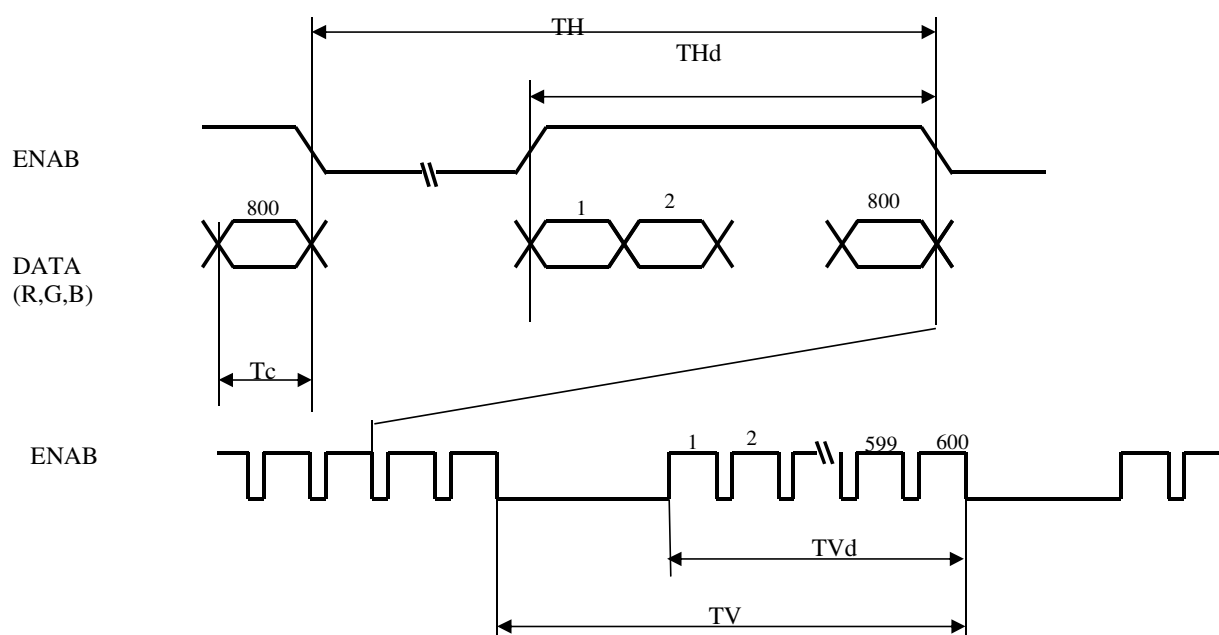
【Note6】 Luminance becomes 50% of an initial value. (Ta=25°C, PWM=100%)

7. Timing characteristics of input signals

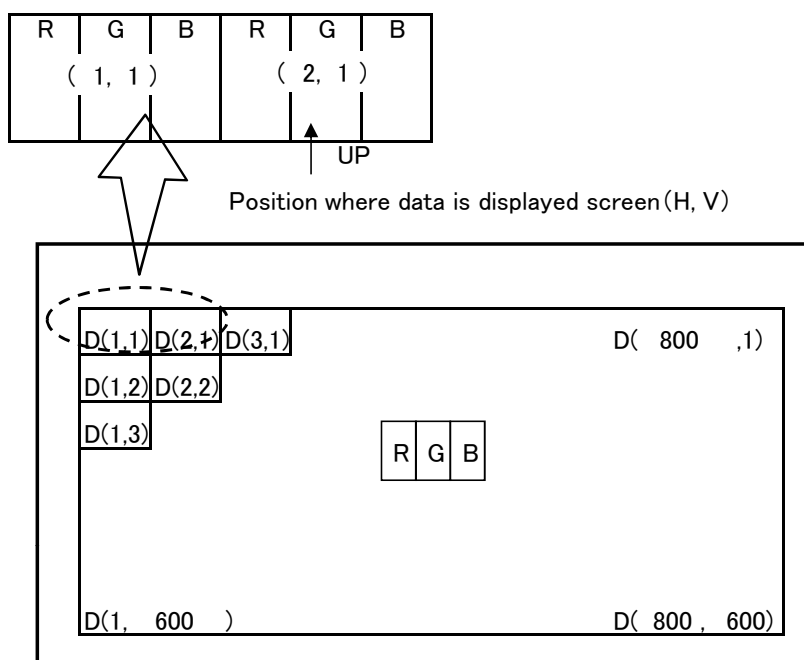
7-1. Timing characteristics

Parameter	Symbol	Min.	Typ.	Max.	Unit	Remark	
Clock	Frequency	1/Tc	35.0	40	42.0	MHz	
Enable signal	Horizontal period	TH	890	1056	1395	clock	【Note1】
			20.8	26.4	39.9	μ s	
	Effective display area	THd	800	800	800	clock	
	Vertical period	TV	628	666	798	line	
			15.8	17.6	18.5	ms	
Effective display area	TVd	600	600	600	line		

【Note1】 In case of using the long vertical period, the deterioration of display quality, flicker etc. may occur.



7-2. Input Data Signals and Display Position on the screen



8. Input Signals, Basic Display Colors and Gray Scale of Each Color

8-1. 6 bit input

	Colors & Gray scale	Data signal																		
		GrayScale	R0	R1	R2	R3	R4	R5	G0	G1	G2	G3	G4	G5	B0	B1	B2	B3	B4	B5
Basic Color	Black	—	0	0	0	0	0	0	0	0	0	0	0	0	0	0	0	0	0	0
	Blue	—	0	0	0	0	0	0	0	0	0	0	0	0	1	1	1	1	1	1
	Green	—	0	0	0	0	0	0	1	1	1	1	1	1	0	0	0	0	0	0
	Cyan	—	0	0	0	0	0	0	1	1	1	1	1	1	1	1	1	1	1	1
	Red	—	1	1	1	1	1	1	0	0	0	0	0	0	0	0	0	0	0	0
	Magenta	—	1	1	1	1	1	1	0	0	0	0	0	0	1	1	1	1	1	1
	Yellow	—	1	1	1	1	1	1	1	1	1	1	1	1	0	0	0	0	0	0
	White	—	1	1	1	1	1	1	1	1	1	1	1	1	1	1	1	1	1	1
Gray Scale of Red	Black	GS0	0	0	0	0	0	0	0	0	0	0	0	0	0	0	0	0	0	0
	↑	GS1	1	0	0	0	0	0	0	0	0	0	0	0	0	0	0	0	0	0
	Darker	GS2	0	1	0	0	0	0	0	0	0	0	0	0	0	0	0	0	0	0
	↑	↓	↓			↓			↓			↓								
	↓	↓	↓			↓			↓			↓								
	Brighter	GS61	1	0	1	1	1	1	0	0	0	0	0	0	0	0	0	0	0	0
	↓	GS62	0	1	1	1	1	1	0	0	0	0	0	0	0	0	0	0	0	0
Red	GS63	1	1	1	1	1	1	0	0	0	0	0	0	0	0	0	0	0	0	
Gray Scale of Green	Black	GS0	0	0	0	0	0	0	0	0	0	0	0	0	0	0	0	0	0	0
	↑	GS1	0	0	0	0	0	0	1	0	0	0	0	0	0	0	0	0	0	0
	Darker	GS2	0	0	0	0	0	0	0	1	0	0	0	0	0	0	0	0	0	0
	↑	↓	↓			↓			↓			↓								
	↓	↓	↓			↓			↓			↓								
	Brighter	GS61	0	0	0	0	0	0	1	0	1	1	1	1	0	0	0	0	0	0
	↓	GS62	0	0	0	0	0	0	0	1	1	1	1	1	0	0	0	0	0	0
Green	GS63	0	0	0	0	0	0	1	1	1	1	1	1	0	0	0	0	0	0	
Gray Scale of Blue	Black	GS0	0	0	0	0	0	0	0	0	0	0	0	0	0	0	0	0	0	0
	↑	GS1	0	0	0	0	0	0	0	0	0	0	0	0	1	0	0	0	0	0
	Darker	GS2	0	0	0	0	0	0	0	0	0	0	0	0	0	1	0	0	0	0
	↑	↓	↓			↓			↓			↓								
	↓	↓	↓			↓			↓			↓								
	Brighter	GS61	0	0	0	0	0	0	0	0	0	0	0	0	1	0	1	1	1	1
	↓	GS62	0	0	0	0	0	0	0	0	0	0	0	0	0	1	1	1	1	1
Blue	GS63	0	0	0	0	0	0	0	0	0	0	0	0	1	1	1	1	1	1	

0 :Low level voltage 1 :High level voltage

Each basic color can be displayed in 64 gray scales from 6 bit data signals. According to the combination of total 18 bit data signals, the 262,144-color display can be achieved on the screen.

9. Optical Characteristics

$T_a=+25^{\circ}\text{C}$, $V_{cc}=+3.3\text{V}$

Parameter		Symbol	Condition	Min.	Typ.	Max.	Unit	Remark	
Viewing angle range	Horizontal	$\theta 21, \theta 22$	CR>10	-	70	-	Deg.	【Note1,2,4】	
	Vertical	$\theta 11$		-	50	-	Deg.		
		$\theta 12$		-	60	-	Deg.		
Contrast ratio		CR	optimized angle	360	600	-		【Note2,4】	
Response Time	White Black	$\tau r + \tau d$	$\theta = 0^{\circ}$	-	35	-	ms	【Note3,4】	
Chromaticity of White		W_x		0.26	0.310	0.360		【Note4】	
		W_y		0.285	0.335	0.385			
Chromaticity of Red		R_x		-	0.570	-			
		R_y		-	0.325	-			
Chromaticity of Green		G_x		-	0.336	-			
		G_y		-	0.570	-			
Chromaticity of Blue		B_x		-	0.170	-			
		B_y		-	0.170	-			
Luminance of white		Y_{L1}			315	420	-		cd/m^2
White Uniformity				-	-	1.33			【Note5】

※The measurement shall be executed 30 minutes after lighting at rating.

The optical characteristics shall be measured in a dark room or equivalent state with the method shown in Fig.2 below.

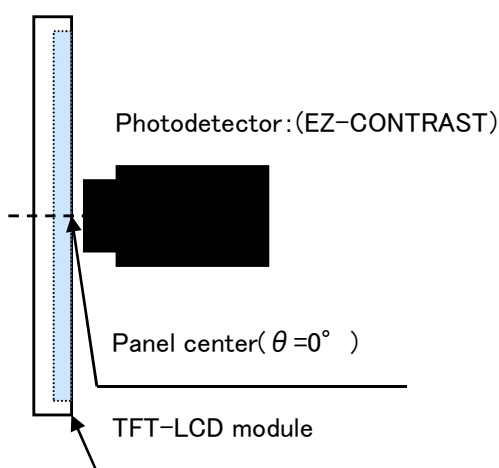


fig.2-1 Measuring method of Viewing angle range.

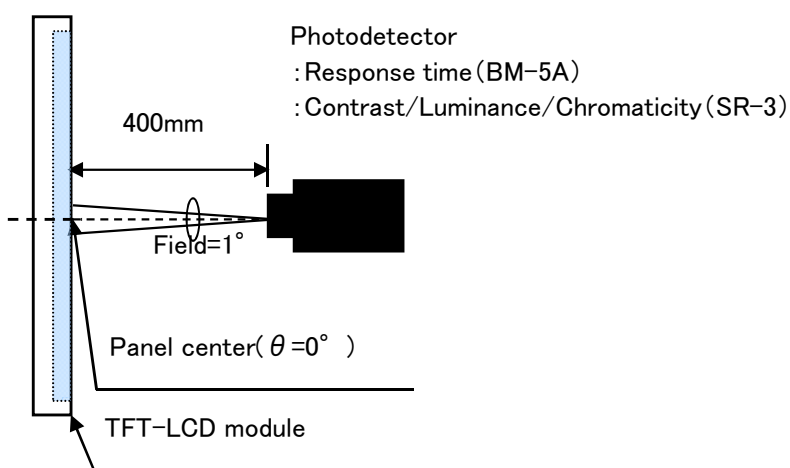
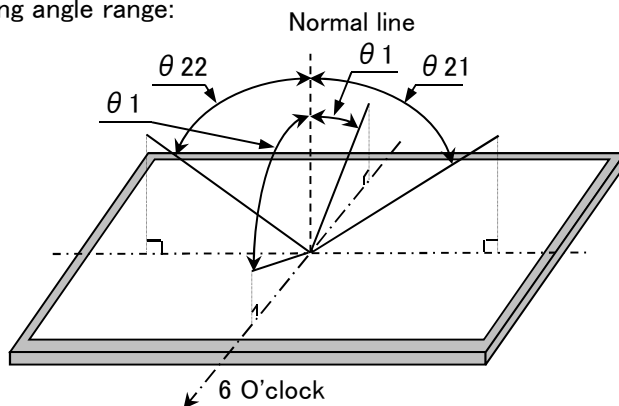


fig.2-2 Measuring method of contrast, luminance, response time, and Chromaticity.

Fig.2 Optical characteristics measurement method

【Note1】Definitions of viewing angle range:

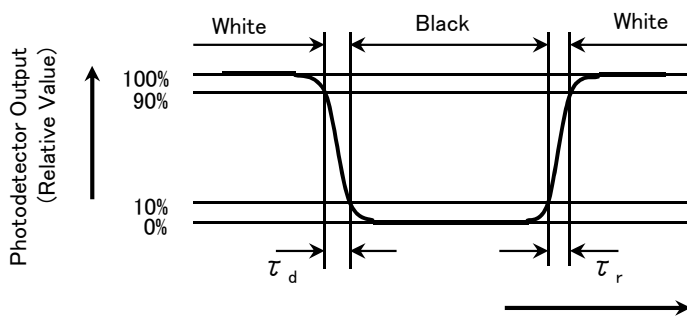


【Note2】Definition of contrast ratio:

The contrast ratio is defined as the following.
$$\text{Contrast (CR)} = \frac{\text{Luminance with all pixels white}}{\text{Luminance with all pixels black}}$$

【Note3】Definition of response time:

The response time is defined as the following figure and shall be measured by switching the input signal for "black" and "white".



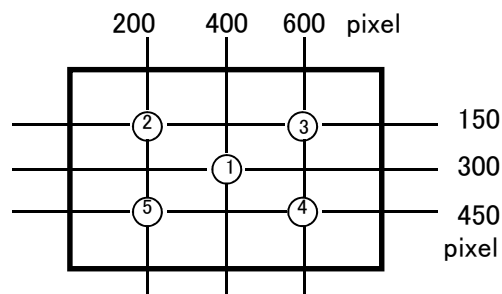
【Note4】This shall be measured at center of the screen.

【Note5】Definition of white uniformity:

White uniformity is defined as the following with five measurements.

(①~⑤)

$$\delta_w = \frac{\text{Maximum luminance of 5 points(①~⑤)}}{\text{Minimum luminance of 5 points(①~⑤)}}$$



10. Handling Precautions

【Handling Precautions】

- a) Treat LCD module in dustless surroundings. Metal foreign material stuck to the circuit is possible to cause a short.
- b) Be sure to design the cabinet so that the module can be installed without any extra stress such as warp or twist.
- c) Be careful not to give any physical stress onto the circuit and/or the connector of LCD module when you pull/plug a cable. Physical stress will cause a break or worse connection.
- d) Since the front polarizer is easily damaged, pay attention not to scratch it.
- e) Use N₂-blower such as an ionized nitrogen has anti-electrostatic when you blow dusts on Polarizer.
- f) Since a long contact with water may cause discoloration or spots, wipe it with absorbent cotton or other soft cloth immediately.
- g) Since CMOS LSI is used in this module, take care of static electricity and injure the human earth when handling. Observe all other precautionary requirements in handling components.
- h) Be careful with the edge parts of the module which is made of metal.
- i) Since the panel is made of glass, it may break or crack if dropped or bumped on hard surface. Handle with care.
- j) When the panel is broken, don't touch the glass. Although the panel is difficult to be scattered, touching the broken part may hurt your hands.
- k) Liquid crystal contained in the panel may leak if the LCD is broken. Rinse it as soon as possible if it gets inside your eye or mouth by mistake.
- l) Don't touch the circuit and the pattern of the board. If you touch it, the circuit may be broken.
- m) Follow the regulations when LCD module is scrapped. The government you stay may have some regulations about it.

【Set-Design Precautions】

- a) Notice : Never take to pieces the module , because it will cause failure. Please don't remove the fixed tape, insulating tape etc. that was pasted on the original module. (except for protection film of the panel)
- b) Protection film is attached to the module surface to prevent it from being scratched .Peel the film off slowly , just before the use, with strict attention to electrostatic charges. Blow off 'dust' on the polarizer by using an ionized nitrogen.
- c) Be sure to design the cabinet so that the module can be installed without any extra stress such as warp or twist.
- d) Connect GND to frame of module to stabilize against EMI and external noise.
- e) When install LCD modules in the cabinet, please tighten with("torque=0.294±0.02N·m(3.0±0.2kgf·cm)"). Be sure to confirm it in the same condition as it is installed in your instrument.
- f) Since there is a circuit board in the module back, stress is not added at the time of a design assembly. Please make it like. If stress is added, there is a possibility that circuit parts may be damaged.
- g) It causes an irregular display and the defective indication, etc., when always put constant pressure on the back of the module. Please do not make the structure to press the back of the module.
- h) Be careful of a back light FPC not to pull by force at the time of the connecting to a W-LED driver, or FPC processing.

- i) The polarizer surface on the panel is treated with Anti-Glare for low reflection. In case of attaching Be sure to design the cabinet so that the module can be installed without any extra stress such as warp or twist.
- j) Don't change the volume of LCD module. It is optimized when the shipping. Any change may not meet the specification.
- k) If a minute particle enters in the module and adheres to an optical material, it may cause display non-uniformity issue, etc.
Therefore, fine-pitch filters have to be installed to cooling and inhalation hole if you intend to install a fan.
- l) Be sure to follow the absolute maximum rating in the specification. The design should consider the surrounding temperature, the fluctuating input signal, and tolerance of the electronic parts. Exceeding values is possible to cause worse characteristic such as burn and/or broken of the parts on LCD module.
- m) Be sure to use LCD module within the recommended operating conditions. Operating module out of the recommended range is not guaranteed even if it is in the absolute maximum rating.
- n) Follow the power, signal, and supply voltage sequence which the specification indicates, regarding on-off input signal after power on of LCD module.
- o) According to the using application, power circuit protection is recommended at module failure.

【Operation Precautions】

- a) Do not expose the LCD panel to direct sunlight. Lightproof shade etc. should be attached when LCD panel is used under such environment.
- b) When handling LCD modules and assembling them into cabinets, please avoid that long-terms storage in the environment of oxidization or deoxidization gas and the use of such materials as reagent, solvent, adhesive, resin, etc. which generate these gasses, may cause corrosion and discoloration of the modules.
Do not use the LCD module under such environment.
- c) An abnormal display by changing in quality of the polarizing plate might occur regardless of contact or no contact to the polarizing plate, because of epoxy resin (amine system curing agent) that comes out from the material and the packaging material used for the set side, the silicon adhesive (dealcoholization system and oxime system), and the tray blowing agents (azo-compound), etc. Please confirm adaptability with your employed material.
- d) Don't use polychloroprene (CR) with LCD module. It will generate chlorine gas, which will damage the reliability of the connection part on LCD panel.
- e) Be careful when using it for long time with fixed pattern display as it may cause accidental image.
Please use a screen saver etc., in order to avoid an afterimage.
- f) The LED (Light Emitting Diode) used in this LCD module is very sensitive to temperature change. If it operates for extremely long time under high temperature, it is possible rapidly to shorten the life time of LED.
In case of such a condition, consult with us.
- g) If stored at the temperatures lower than the rated storage temperature, the LC may freeze and it may cause LCD panel damage. If storage temperature exceeds the specified rating, the molecular orientation of the LC may change to that of a liquid, and they may not revert to their original state. Store the module in normal room temperature.
- h) Keep LCD module in the range of the specified temperature conditions at all times. Once out of the range, liquid crystal will lose its characteristics, and it cannot recover.
- i) Nature of dew consideration prevention is necessary when LCD is used for long time under high-temperature and high-humidity.

11. Packing form

- a) Piling number of cartons : MAX. 6
- b) Package quantity in one carton: 20pcs
- c) Carton size(TYP): 451mm(W) × 440mm(D) × 313mm(H)
- d) Total mass of one carton filled with full modules(20pcs): max 13.5kg

Packing form is shown in Fig 3.

12. Reliability test items

No.	Test item	Conditions	Remark
1	High temperature storage test	Ambient temperature 80°C 240H	【Note1】
2	Low temperature storage test	Ambient temperature -30°C 240H	【Note1】
3	High temperature & high humidity operation test	Ambient temperature 40°C、Humidity 95% RH 240H (No condensation.)	【Note1】
4	High temperature operation test	Panel surface (Active Area) 80°C 240H	【Note1】
5	Low temperature operation test	Ambient temperature -30°C 240H	【Note1】
6	Vibration test	< Sin wave > Frequency : 10~57Hz / Vibration width (one side) : 0.076mm : 57~500Hz / Gravity: 9.8m/s ² Sweep time: 11minutes Test period : 3H(X, Y, Z direction 1H)	【Note1】
7	Shock test	Max. gravity: 490m/s ² Pulse width: 11ms Direction: ±X, ±Y, ±Z Test period : 1time / 1direction	【Note1】

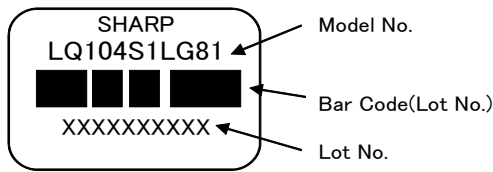
【Note1】 Under the display quality test conditions with normal operation state, these shall be no change which may affect practical display function. (normal operation state: Temperature: 15~35°C, Humidity: 45~75%, Atmospheric pressure: 86~106kpa)

13. Others

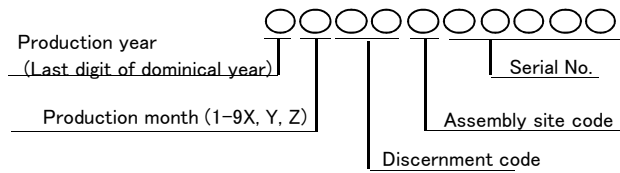
13-1. Lot No Label:

A) Module serial label

The label that displays SHARP·Model No.(LQ104S1LG81)·Lot No. is stuck on the back of the module.

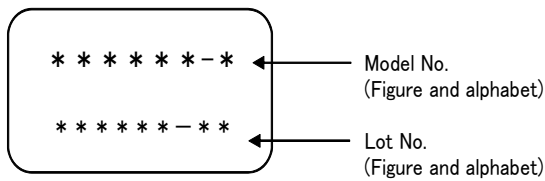


Lot No display method(Figure and alphabet)



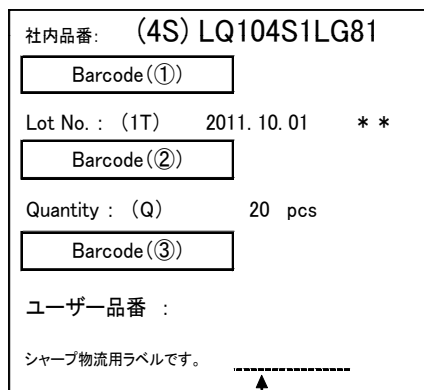
B) Backlight serial label

The label that displays the model No. and lot No. for the backlight is stuck on the back of the module.



13-2. Packing box Label:

The label that displays ①Model number(LQ104S1LG81) ②Lot number ③Quantity of module is stuck on the packing box. Moreover, the display of bar code also applies to this.



- ① Model number(LQ104S1LG81)
- ② Lot number (DATA)
- ③ Quantity of module

Our management product number might be filled in.
(Example: LQ104S1LG81A etc.)

A right picture is written to the packing box of module for the RoHS restriction.

※ R.C.(RoHs Compliance)means these parts have corresponded with the RoHs directive.

This module corresponds from the first sample to RoHS Directive.

The production country of the figure below is written in the wrapping box.

MADE IN JAPAN OR MADE IN CHINA



13-3. The ozone-depleting substances is not used.

13-4. If any problem occurs in relation to the description of this specification , it shall be resolved through discussion with spirit of cooperation.

14. Storage conditions

Environmental condition range of storage temperature and humidity

Temperature 0 to 40 degrees Celsius

Relative humidity 95% and below

【Note】Please refer below as a mean value of the environmental conditions.

Summer time temperature 20 to 35 degrees Celsius humidity , 85% and below

Winter time temperature 5 to 15 degrees Celsius humidity , 85% and below

Please maintain within 240 hours of accumulated length of storage time, with conditions of 40 degrees Celsius and room humidity of 95%.

Direct sun light

Please keep the product in a dark room or cover the product to protect from direct sun light.

Atmospheric condition

Please refrain from keeping the product with possible corrosive gas or volatile flux.

Prevention of dew

Please store the product carton either on a wooden pallet or a stand / rack to prevent dew.

Do not place directly on the floor. In addition, to obtain moderate ventilation in between the pallet's top and bottom surfaces, pile the cartons up in a single direction and in order.

Please place the product cartons away from the storage wall.

Storage period

Within above mentioned conditions, maximum storage period should be one year.

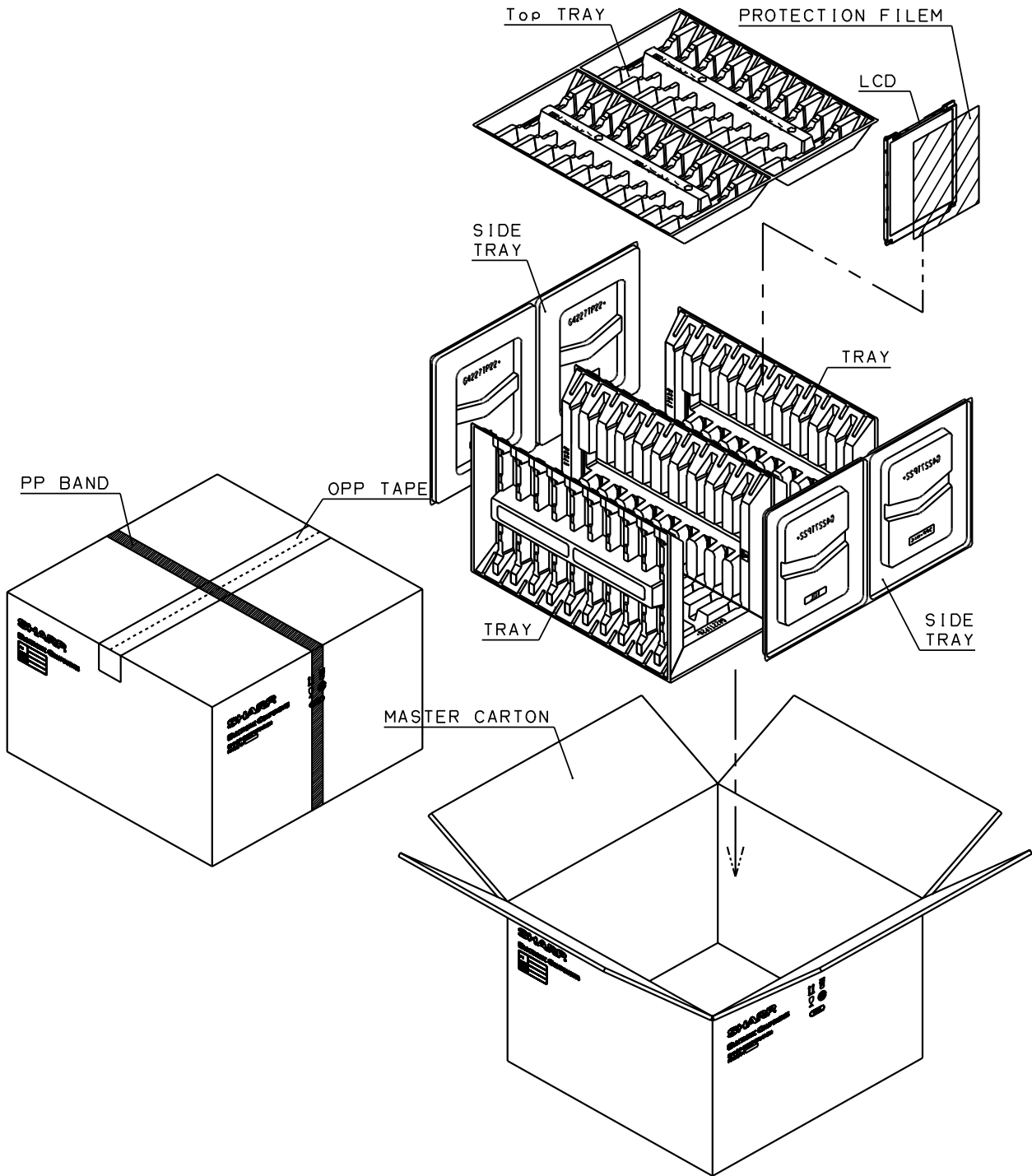


Fig.3 : PACKING FORM