



Chipsmall Limited consists of a professional team with an average of over 10 year of expertise in the distribution of electronic components. Based in Hongkong, we have already established firm and mutual-benefit business relationships with customers from,Europe,America and south Asia,supplying obsolete and hard-to-find components to meet their specific needs.

With the principle of “Quality Parts,Customers Priority,Honest Operation,and Considerate Service”,our business mainly focus on the distribution of electronic components. Line cards we deal with include Microchip,ALPS,ROHM,Xilinx,Pulse,ON,Everlight and Freescale. Main products comprise IC,Modules,Potentiometer,IC Socket,Relay,Connector.Our parts cover such applications as commercial,industrial, and automotives areas.

We are looking forward to setting up business relationship with you and hope to provide you with the best service and solution. Let us make a better world for our industry!



Contact us

Tel: +86-755-8981 8866 Fax: +86-755-8427 6832

Email & Skype: info@chipsmall.com Web: www.chipsmall.com

Address: A1208, Overseas Decoration Building, #122 Zhenhua RD., Futian, Shenzhen, China



PREPARED BY : DATE	<h1 style="text-align: center;">SHARP</h1> <p style="text-align: center;">DISPLAY DEVICE BUSINESS GROUP SHARP CORPORATION</p> <h2 style="text-align: center;">SPECIFICATION</h2>	SPEC No. LD-23812B
APPROVED BY : DATE		FILE No. LD-23812B
		ISSUE : 01-Sep-11
		PAGE : 20pages
		APPLICABLE GROUP LIQUID CRYSTAL DISPLAY GROUP

REVISION : 20-Oct-11

DEVICE SPECIFICATION FOR

TFT-LCD Module

MODEL No.

LQ104V1DG81

These parts have corresponded with the RoHS



CUSTOMER'S APPROVAL
BY _____

BY J. Kawanishi
 J.Kawanishi
 GENERAL MANAGER
 ENGINEERING DEPARTMENT I
 DISPLAY DEVICE DIVISION II
 DISPLAY DEVICE BUSINESS GROUP
 SHARP CORPORATION

No.		page
1	Application	1
2	Overview	2
3	Mechanical Specifications	2
4	Input Terminals	3
5	Absolute Maximum Ratings	4
6	Electrical Characteristics	5
7	Timing characteristics of input signals	7
8	Input Signals, Basic Display Colors and Gray Scale of Each Color ..	9
9	Optical Characteristics	10
10	Handling Precautions	12
11	Packing form	13
12	Reliability test items	13
13	Others	14
14	Storage conditions	15
Fig.1	Outline Dimensions	16
Fig.3	PACKING FORM	17

1. Application

This specification applies to the color TFT-LCD module LQ104V1DG81.

This specification is the proprietary product of SHARP CORPORATION (SHARP) and include materials protected under copyright of SHARP. Do not reproduce or cause any third party to reproduce them in any form or by any means, electronic or mechanical, for any purpose, in whole or in part, without the express written permission of SHARP.

The device listed in this specification was designed and manufactured for use in general electronic equipment.

In case of using the device for applications such as control and safety equipment for transportation (controls of aircraft, trains, automobiles, etc.), rescue and security equipment and various safety related equipment which require higher reliability and safety, take into consideration that appropriate measures such as fail-safe functions and redundant system design should be taken.

Do not use the device for equipment that requires an extreme level of reliability, such as aerospace applications, telecommunication equipment (trunk lines), nuclear power control equipment and medical or other equipment for life support.

SHARP assumes no responsibility for any damage resulting from the use of the device which does not comply with the instructions and the precautions specified in this specification .

Contact and consult with a SHARP sales representative for any questions about this device.

2. Overview

This module is a color active matrix LCD module incorporating amorphous silicon TFT (Thin Film Transistor). It is composed of a color TFT-LCD panel, driver ICs, control circuit, power supply circuit and a White-LED Backlight unit. Graphics and texts can be displayed on a 640 × RGB × 480dots panel with about 262,144 colors by using CMOS(Complementary MOS) and supplying +3.3V DC supply voltages for TFT-LCD panel driving and supply voltage for backlight.

The TFT-LCD panel used for this module is a low-reflection and higher-color-saturation type.

Therefore, this module is also suitable for the multimedia use.

The maximum viewing angle is in the 6 o'clock direction.

The 12 o'clock direction is difficult to reverse the grayscale.

The LED driver circuit is built into the module.⚠

3. Mechanical technical literatures

Parameter	technical literatures	Unit
Display size	26 (10.4inch) Diagonal	cm
Active area	211.2 (H) × 158.4 (V)	mm
Pixel format	640 (H) × 480 (V) (1pixel=R+G+B dot)	pixel
Aspect ratio	4:3	
Pixel pitch	0.33 (H) × 0.33 (V)	mm
Pixel configuration	R,G,B vertical stripe	
Display mode	Normally white	
Unit outline dimensions	246.5 (W) × 179.3 (H) × 12.5 (D)	mm
Mass	500	g
Surface treatment	Anti-glare and hard-coating 3H	

Outline dimensions are shown in Fig.1.

4. Input Terminals

4-1. TFT-LCD panel driving

CN1 (Interface signals and +3.3V power supply)

	Hirose Electric Co., Ltd.	I-PEX
Using connectors	DF9MA-31P-1V(32) DF9B-31P-1V(32)	20026-231*-1F
Corresponding connectors	DF9* -31S-1V(32)	20027-*31*-1F

Pin	Symbol	Function	Remark
1	GND	GND	
2	CK	Clock signal for sampling each data signal	
3	Hsync	Horizontal synchronous signal	Negative
4	Vsync	Vertical synchronous signal	Negative
5	GND	GND	
6	R0	RED data signal(LSB)	
7	R1	RED data signal	
8	R2	RED data signal	
9	R3	RED data signal	
10	R4	RED data signal	
11	R5	RED data signal(MSB)	
12	GND	GND	
13	G0	GREEN data signal(LSB)	
14	G1	GREEN data signal	
15	G2	GREEN data signal	
16	G3	GREEN data signal	
17	G4	GREEN data signal	
18	G5	GREEN data signal(MSB)	
19	GND	GND	
20	B0	BLUE data signal(LSB)	
21	B1	BLUE data signal	
22	B2	BLUE data signal	
23	B3	BLUE data signal	
24	B4	BLUE data signal	
25	B5	BLUE data signal(MSB)	
26	GND	GND	
27	ENAB	Signal to settle the horizontal display position	【Note1】
28	V _{CC}	+3.3V power supply	
29	V _{CC}	+3.3V power supply	
30	NC	No Connect (Please be sure to open)	
31	SCAN	Horizontal/Vertical display mode select signal	【Note2】

【Note1】 The horizontal display start timing is settled in accordance with a rising timing of ENAB signal. In case ENAB is fixed "Low", the horizontal start timing is determined as described in 7-1. Don't keep ENAB "High" during operation.

【Note2】SCAN=Low

SCAN=High



4-3. LED backlight

LED backlight connector

CN2 Used connector : SM06B-SHLS-TF (JST)

Corresponding connector : SHLP-06V-S-B (JST)

Connector No.	Pin No.	Symbol	Function
CN2	1	V _{DD}	+12V power supply
	2	V _{DD}	+12V power supply
	3	GND	GND
	4	GND	GND
	5	XSTABY	Backlight ON/OFF signal
	6	VBR	PWM signal

5. Absolute Maximum Ratings

Parameter	Symbol	Condition	Pin	Ratings	Unit	Remark
Supply voltage	V _{CC}	T _a =25°C	VCC	-0.3 ~ +4.0	V	【Note1,2】
	V _{DD}	T _a =25°C	VDD	-0.3 ~ +15.0	V	【Note1,2】
Input voltage	V _{I1}	T _a =25°C	R0-5,G0-5,B0-5 CK,Hsync,Vsync ENAB,SCAN	-0.3~V _{CC} +0.3	V	
	V _{I4}	T _a =25°C	XSTABY, VBR	-0.3~+V _{DD}	V	
Storage temperature	T _{STG}	—	—	-30 ~ +80	°C	【Note1】
Operating temperature	T _{OPA}	—	—	-30 ~ +80	°C	【Note1,3,4】

【Note1】 Humidity: 95%RH Max.(T_a ≤ 40°C) Note static electricity.Maximum wet-bulb temperature at 39°C or less. (T_a > 40°C) No condensation.【Note2】 The V_{CC} power supply capacity must use the one of 2A or more.The V_{DD} power supply capacity must use the one of 3A or more.

【Note3】 There is a possibility of causing deterioration in the irregularity and others of the screen and the display fineness though the liquid crystal module doesn't arrive at destruction when using it at 65~80°C.

【Note4】 In the operating temperature item, the low temperature side is the ambient temperature regulations.

The high temperature side is the panel surface temperature regulations.

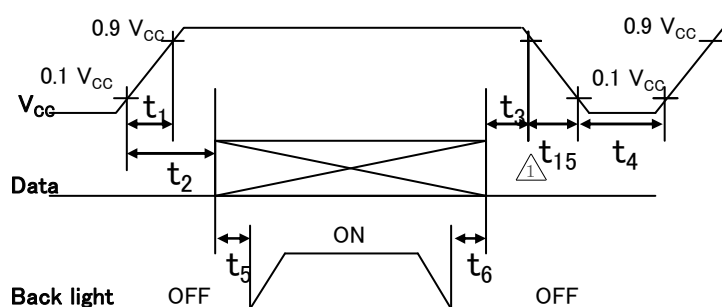
6. Electrical Characteristics

6-1. TFT-LCD panel driving

 $T_a = +25^{\circ}\text{C}$

Parameter	Symbol	Condition	Min.	Typ.	Max.	Unit	Remark
Supply voltage	V_{CC}		3.0	3.3	3.6	V	【Note1】
Current dissipation	I_{CC}	$V_{CC}=3.3\text{V}$	-	230	300	mA	【Note2】
Permissive input ripple voltage	V_{RP}		-	-	100	mV _{P-P}	$V_{CC}=3.3\text{V}$
Input voltage	V_{IH}		2.1	-	-	V	【Note3】
	V_{IL}		-	-	0.8	V	
Input leak current	I_{OH}		-	-	400	μA	$V_{I1} = +3.3\text{V}$ 【Note3】
	I_{OL}		-400	-	-	μA	$V_{I1} = 0\text{V}$ 【Note3】

【Note1】 On-off conditions for supply voltage



$$20\mu\text{s} < t_1 \leq 10\text{ms}$$

$$0\text{s} < t_2 \leq 20\text{ms}$$

$$0\text{s} < t_3 \leq 1\text{s}$$

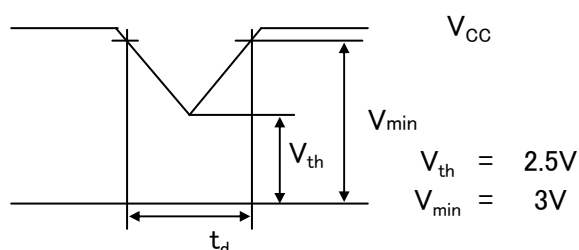
$$1\text{s} \leq t_4$$

$$300\text{ms} \leq t_5$$

$$300\text{ms} \leq t_6$$

$$t_{15} \leq 100\text{ms} \quad \triangle$$

Vcc-dip conditions



$$\bullet \quad V_{th} < V_{CC} \leq V_{min}$$

$$t_d \leq 10\text{ms}$$

$$\bullet \quad V_{CC} < V_{th}$$

Vcc-dip conditions should also follow the On-off conditions for supply voltage

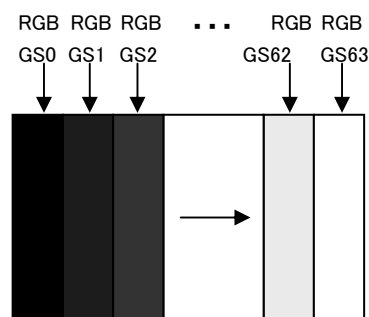
- The relation between the data input and the backlight lighting will recommend the above-mentioned input sequence. When the backlight is turned on before the panel operates, there is a possibility of abnormally displaying. The liquid crystal module is not damaged.

【Note2】 Current dissipation

Typical current situation : 64-gray-bar pattern

$$V_{CC}=+3.3\text{V}, f_{ck} = 25.175\text{MHz}, T_a=25^{\circ}\text{C}$$

Refer to Chapter 8 for RGB each step.



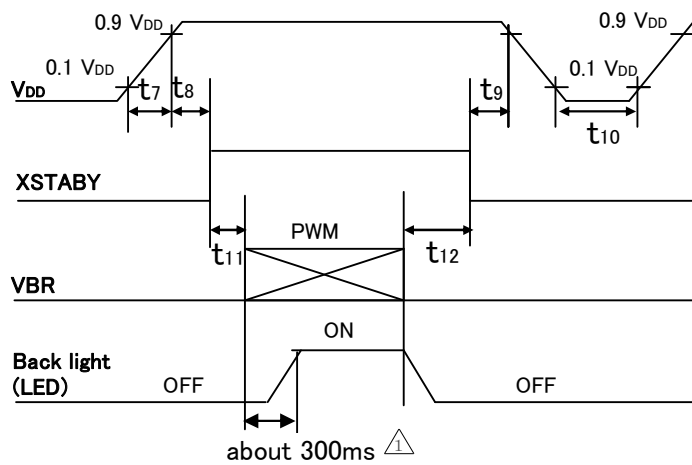
【Note3】 R0-5, G0-5, B0-5, CK, Hsyn, Vsync, ENAB, SCAN

6-2. LED backlight

Ta=+25°C

Parameter	Symbol	Min.	Typ.	Max.	Unit	Remark	
Supply voltage	V _{DD}	10.8	12.0	13.2	V	【Note1】	
Current dissipation	I _{DD1}	-	400	500	mA	【Note2】	
	I _{DD2}	-	-	10	μA	【Note3,4】	
Permissible input ripple voltage	V _{RP_BL}	-	-	200	mV _{P-P}	V _{DD} =+12.0V	
XSTABY	High voltage	V _{IH_BL1}	9.0	-	V _{DD}	V	【Note3】
	Low voltage	V _{IL_BL1}	-	-	0.4	V	【Note3】
	Leak current	I _{IL_XST}	-	-	5.0	μA	【Note3】
VBR	High voltage	V _{IH_BL2}	9.0	-	V _{DD}	V	【Note4】
	Low voltage	V _{IL_BL2}	-	-	0.4	V	【Note4】
	Leak current	I _{IL_VBR}	-	-	1.5	μA	【Note4】
PWM frequency	f _{PWM}	200	-	1,000	Hz	【Note4,5】	
PWM duty	DP _{PWM}	10	-	100	%	【Note4,5】	
Life time	L	-	50,000 (Module)	-	h	【Reference】 【Note6】	

【Note1】 On-off conditions for supply voltage



$$20\mu\text{s} \leq t_7 \leq 200\text{ms} \triangle$$

$$0\text{ms} \leq t_8$$

$$0\text{ms} \leq t_9$$

$$\triangle 1\text{s} \leq t_{10}$$

$$\triangle 10\text{ms} \leq t_{11}$$

$$\triangle 0\text{ms} \leq t_{12}$$

【Note2】 Current dissipation

Typ. value: V_{DD}= +12V、Duty=100%Max. value: V_{DD}= +10.8V、Duty=100%

【Note3】 XSTABY is connected by the pull-down resistor of about 2.8kΩ.

【Note4】 VBR is connected by the pull-down resistor of about 9.6kΩ.

【Note5】 PWM

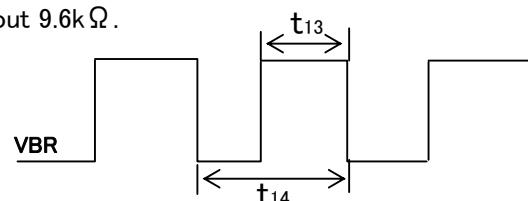
$$f_{\text{PWM}} = 1/t_{14} \quad \text{DP}_{\text{PWM}} = t_{13}/t_{14}$$

Duty 0% : Min. Luminance

Duty 100% : Max. Luminance

Luminance changes in proportion to the duty ratio.

When the frequency slows, the display fineness might decrease.



【*6】 Luminance becomes 50% of an initial value. (Ta=25°C, PWM=100%)

7. Timing characteristics of input signals

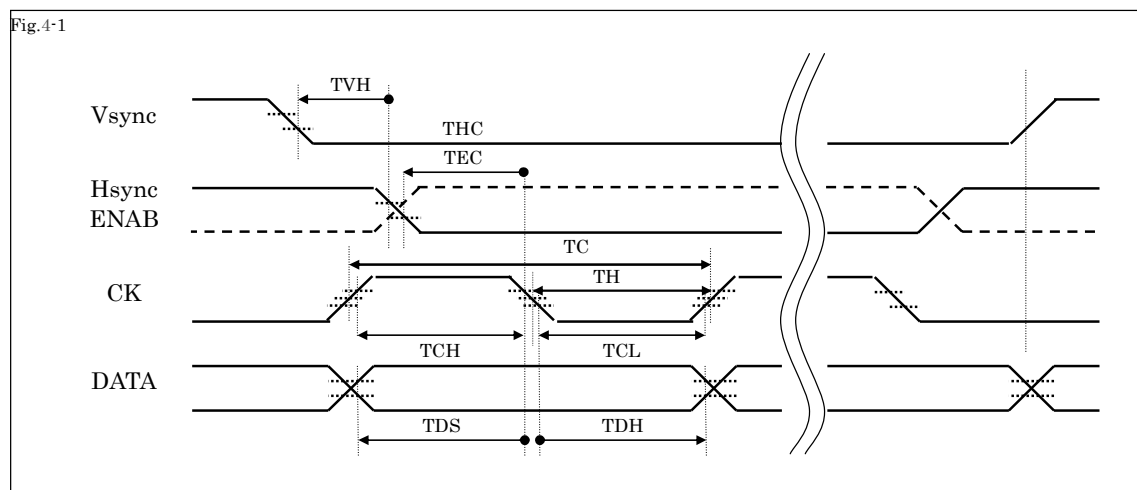
7-1. Timing characteristics

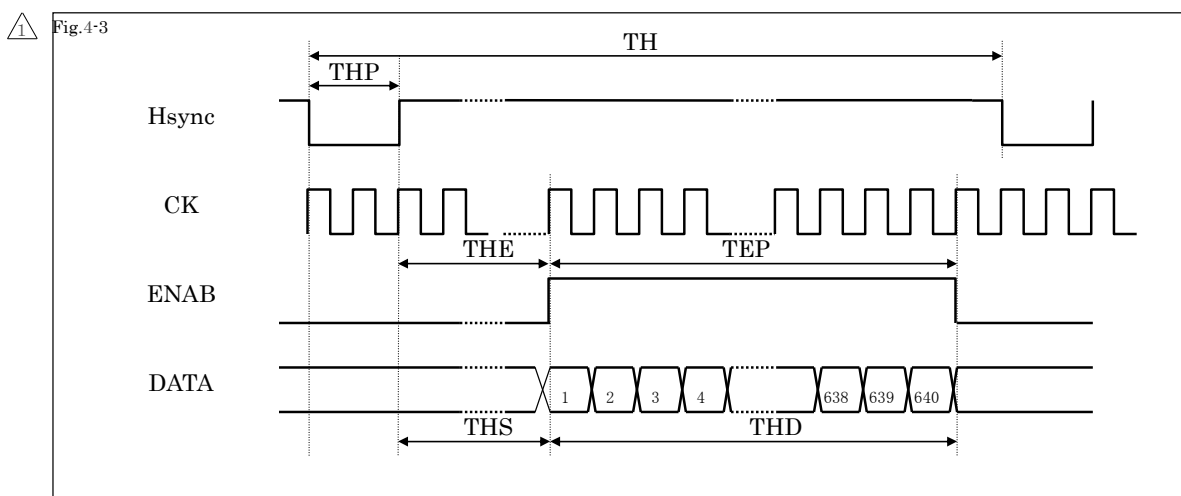
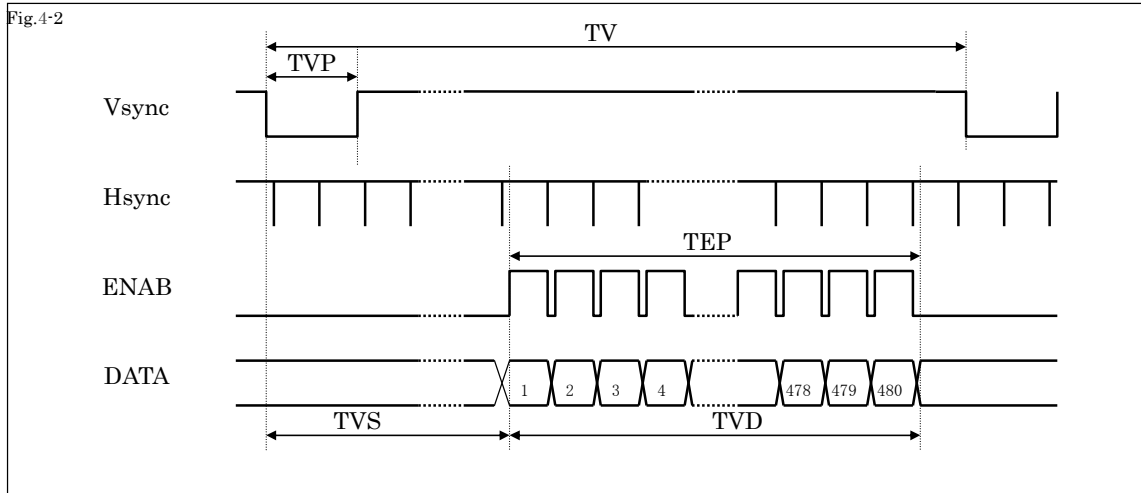
Parameter	Symbol	Min.	Typ.	Max.	Unit	Remark	
Clock	Frequency	1/Tc	23.0	25.18	28.3	MHz	
	High time	TCH	10	—	—	ns	
	Low time	TCL	10	—	—	ns	
	Duty ratio	TH/TC	40	50	60	%	
Data	Setup time	TDS	5	—	—	ns	
	Hold time	TDH	10	—	—	ns	
Horizontal sync. signal (Hsync)	Setup time	THC	5	—	—	ns	
	Cycle	TH	750	800	900	clock	
			26.5	31.78	39.0	μs	
	Pulse width	THP	2	96	200	clock	
Data start position	THS	104	104	104	clock	【Note2】	
Vertical sync. signal (Vsync)	Setup time	TVH	0	—	TH-THP	clock	
	Cycle	TV	515	525	560	line	
	Frequency	1/TV	56	60	70	Hz	【Note1】
	Pulse width	TVP	1	2	32	line	
	Data start position	TVS	34	34	34	line	
Enable signal	Setup time	TEC	5	—	—	ns	
	Pulse width	TEP	640	640	640	clock	
	Hsync-Enable signal phase difference	THE	44	—	TH-664	clock	
display period	Horizontal	THD	640	640	640	clock	
	Vertical	TVD	480	480	480	line	

【Note1】 In case of lower frequency, the deterioration of display quality, flicker etc., may be occurred.

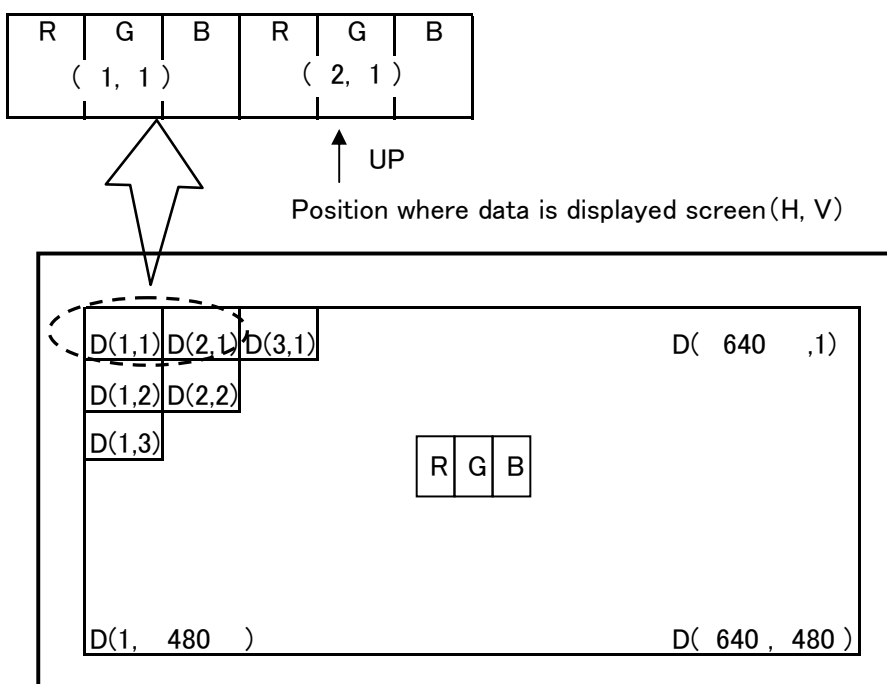
【Note2】 When ENAB is fixed "Low", the display starts from THS(104clock) as shown in Fig4-3.

Be careful that the module does not work when ENAB is fixed "High".





7-2. Input Data Signals and Display Position on the screen



8. Input Signals, Basic Display Colors and Gray Scale of Each Color

8-1. 6 bit input

	Colors & Gray scale	Data signal																		
		GrayScale	R0	R1	R2	R3	R4	R5	G0	G1	G2	G3	G4	G5	B0	B1	B2	B3	B4	B5
Basic Color	Black	—	0	0	0	0	0	0	0	0	0	0	0	0	0	0	0	0	0	0
	Blue	—	0	0	0	0	0	0	0	0	0	0	0	0	1	1	1	1	1	1
	Green	—	0	0	0	0	0	0	1	1	1	1	1	1	0	0	0	0	0	0
	Cyan	—	0	0	0	0	0	0	1	1	1	1	1	1	1	1	1	1	1	1
	Red	—	1	1	1	1	1	1	0	0	0	0	0	0	0	0	0	0	0	0
	Magenta	—	1	1	1	1	1	1	0	0	0	0	0	0	1	1	1	1	1	1
	Yellow	—	1	1	1	1	1	1	1	1	1	1	1	1	0	0	0	0	0	0
	White	—	1	1	1	1	1	1	1	1	1	1	1	1	1	1	1	1	1	1
Gray Scale of Red	Black	GS0	0	0	0	0	0	0	0	0	0	0	0	0	0	0	0	0	0	0
	↑	GS1	1	0	0	0	0	0	0	0	0	0	0	0	0	0	0	0	0	0
	Darker	GS2	0	1	0	0	0	0	0	0	0	0	0	0	0	0	0	0	0	0
	↑	↓	↓					↓					↓							
	↓	↓	↓					↓					↓							
	Brighter	GS61	1	0	1	1	1	1	0	0	0	0	0	0	0	0	0	0	0	0
	↓	GS62	0	1	1	1	1	1	0	0	0	0	0	0	0	0	0	0	0	0
Red	GS63	1	1	1	1	1	1	0	0	0	0	0	0	0	0	0	0	0	0	
Gray Scale of Green	Black	GS0	0	0	0	0	0	0	0	0	0	0	0	0	0	0	0	0	0	0
	↑	GS1	0	0	0	0	0	0	1	0	0	0	0	0	0	0	0	0	0	0
	Darker	GS2	0	0	0	0	0	0	0	1	0	0	0	0	0	0	0	0	0	0
	↑	↓	↓					↓					↓							
	↓	↓	↓					↓					↓							
	Brighter	GS61	0	0	0	0	0	0	1	0	1	1	1	1	0	0	0	0	0	0
	↓	GS62	0	0	0	0	0	0	0	1	1	1	1	1	0	0	0	0	0	0
Green	GS63	0	0	0	0	0	0	1	1	1	1	1	1	0	0	0	0	0	0	
Gray Scale of Blue	Black	GS0	0	0	0	0	0	0	0	0	0	0	0	0	0	0	0	0	0	0
	↑	GS1	0	0	0	0	0	0	0	0	0	0	0	1	0	0	0	0	0	0
	Darker	GS2	0	0	0	0	0	0	0	0	0	0	0	0	0	1	0	0	0	0
	↑	↓	↓					↓					↓							
	↓	↓	↓					↓					↓							
	Brighter	GS61	0	0	0	0	0	0	0	0	0	0	0	0	1	0	1	1	1	1
	↓	GS62	0	0	0	0	0	0	0	0	0	0	0	0	0	1	1	1	1	1
Blue	GS63	0	0	0	0	0	0	0	0	0	0	0	0	1	1	1	1	1	1	

0 :Low level voltage, 1 : High level voltage

Each basic color can be displayed in 64 gray scales from 6 bit data signals. According to the combination of total 18 bit data signals, the 262,144-color display can be achieved on the screen.

9. Optical Characteristics

$T_a=+25^{\circ}\text{C}$, $V_{cc}=+3.3\text{V}$

Parameter		Symbol	Condition	Min.	Typ.	Max.	Unit	Remark	
Viewing angle range	Horizontal	θ_{21}, θ_{22}	CR>10	70	80	-	Deg.	【Note1,2,4】	
	Vertical	θ_{11}		45	65	-	Deg.		
		θ_{12}		70	80	-	Deg.		
Contrast ratio		CR	optimized angle	450	800	-		【Note2,4】	
Response Time	White Black	$\tau_r + \tau_d$	$\theta = 0^{\circ}$	-	35	-	ms	【Note3,4】	
Chromaticity of White		W_x		0.250 \triangle	0.300	0.350 \triangle		【Note4】	
		W_y		0.270 \triangle	0.320	0.370 \triangle			
Chromaticity of Red		R_x		-	0.560	-			
		R_y		-	0.325	-			
Chromaticity of Green		G_x		-	0.335	-			
		G_y		-	0.595	-			
Chromaticity of Blue		B_x		-	0.155	-			
		B_y		-	0.120	-			
Luminance of white		Y_{L1}			360	450	-		cd/m ²
White Uniformity				-	-	1.33			【Note5】

※The measurement shall be executed 30 minutes after lighting at rating.

The optical characteristics shall be measured in a dark room or equivalent state with the method shown in Fig.2 below.

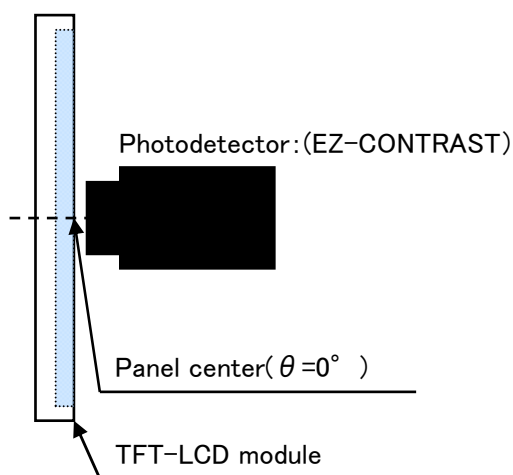


fig.2-1 Measuring method of Viewing angle range.

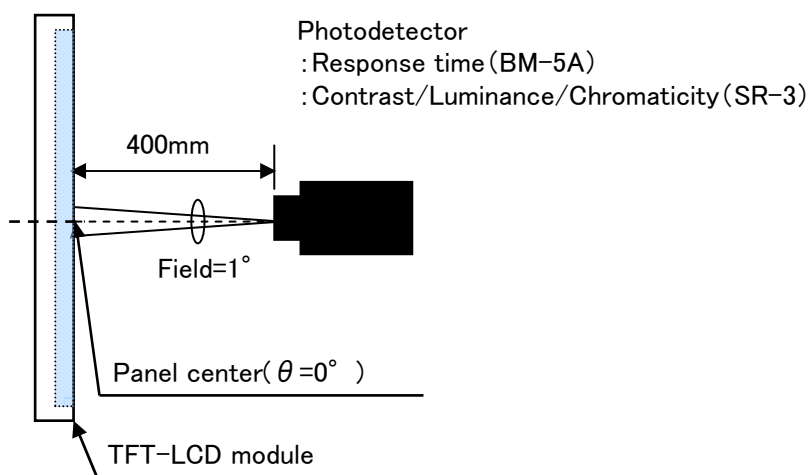
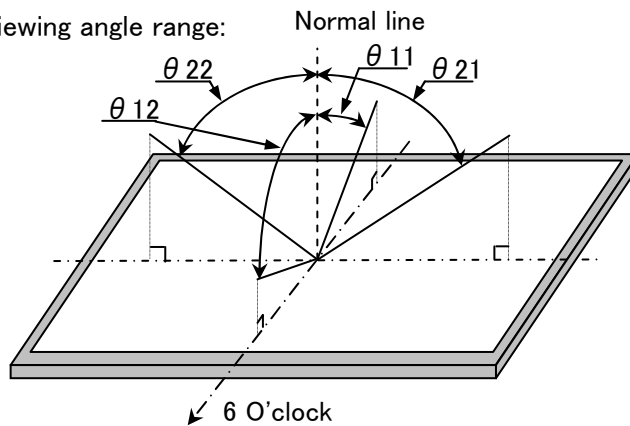


fig.2-2 Measuring method of contrast, luminance, response time, and Chromaticity.

Fig.2 Optical characteristics measurement method

【Note1】Definitions of viewing angle range:

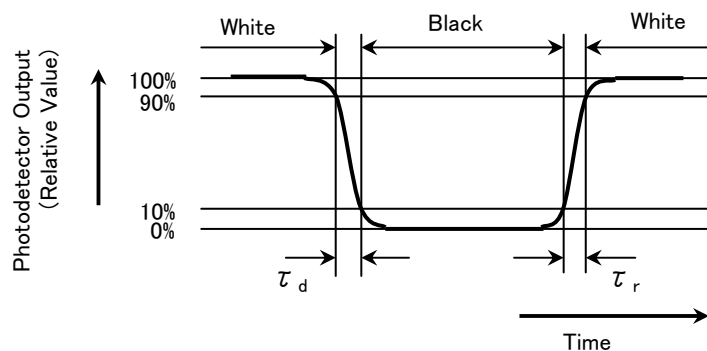


【Note2】Definition of contrast ratio:

The contrast ratio is defined as the following.
$$\text{Contrast (CR)} = \frac{\text{Luminance with all pixels white}}{\text{Luminance with all pixels black}}$$

【Note3】Definition of response time:

The response time is defined as the following figure and shall be measured by switching the input signal for "black" and "white".



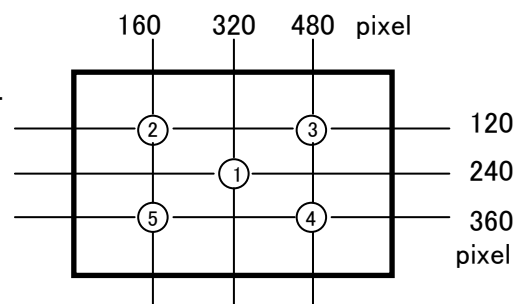
【Note4】This shall be measured at center of the screen.

【Note5】Definition of white uniformity:

White uniformity is defined as the following with five measurements.

(①~⑤)

$$\delta_w = \frac{\text{Maximum luminance of 5 points(①~⑤)}}{\text{Maximum luminance of 5 points(①~⑤)}}$$



10. Handling Precautions

- a) Be sure to turn off the power supply when inserting or disconnecting the cable.
- b) Since the front polarizer is easily damaged, pay attention not to scratch it.
- c) Wipe off water drop immediately. Long contact with water may cause discoloration or spots.
- d) When the panel surface is soiled, wipe it with absorbent cotton or other soft cloth.
- e) Since the panel is made of glass, it may break or crack if dropped or bumped on hard surface.
Handle with care.
- f) Since CMOS LSI is used in this module, take care of static electricity and injure the human earth when handling. Observe all other precautionary requirements in handling components.
- g) Since there is a circuit board in the module back, stress is not added at the time of a design assembly. Please make it like. If stress is added, there is a possibility that circuit parts may be damaged.
- h) It causes an irregular display and the defective indication, etc., when always put constant pressure on the back of the module.
Please do not make the structure to press the back of the module.
- i) Do not expose the LCD panel to direct sunlight. Lightproof shade etc. should be attached when LCD panel is used under such environment.
- j) Connect GND to stabilize against EMI and external noise.
- k) When handling LCD modules and assembling them into cabinets, please avoid that long-terms storage in the environment of oxidization or deoxidization gas and the use of such materials as reagent, solvent, adhesive, resin, etc. which generate these gasses, may cause corrosion and discoloration of the modules. Do not use the LCD module under such environment.
- l) Liquid crystal contained in the panel may leak if the LCD is broken. Rinse it as soon as possible if it gets inside your eye or mouth by mistake.
- m) Be careful when using it for long time with fixed pattern display as it may cause accidental image.
- n) Adjusting volume have been set optimally before shipment, so do not change any adjusted value. If adjusted value is changed, the specification may not be satisfied.
- o) If a minute particle enters in the module and adheres to an optical material, it may cause display non-uniformity issue, etc. Therefore, fine-pitch filters have to be installed to cooling and inhalation hole if you intend to install a fan.
- p) An abnormal display by changing in quality of the polarizing plate might occur regardless of contact or no contact to the polarizing plate, because of epoxy resin (amine system curing agent) that comes out from the material and the packaging material used for the set side, the silicon adhesive (dealcoholization system and oxime system), and the tray blowing agents (azo-compound), etc. Please confirm adaptability with your employed material.
- q) The polarizer surface on the panel is treated with Anti-Glare for low reflection. In case of attaching protective board over the LCD, be careful about the optical interface fringe etc. which degrades display quality.
- r) Never take to pieces the module , because it will cause failure.
Please do not peel off the Black tape pasted to the product.
- s) Be sure to design the cabinet so that the module can be installed without any extra stress such as warp or twist.

11. Packing form

- a) Piling number of cartons : MAX. 6
- b) Package quantity in one carton: 20pcs
- c) Carton size(TYP): 451mm(W) × 440mm(D) × 313mm(H)
- d) Total mass of one carton filled with full modules(20pcs): 13.5kg

Packing form is shown in Fig 3.

12. Reliability test items

No.	Test item	Conditions	Remark
1	High temperature storage test	Ambient temperature 80°C 240H	【Note1】
2	Low temperature strage test	Ambient temperature -30°C 240H	【Note1】
3	High temperature & high humidity operation test	Ambient temperature 40°C、Humidity 95% RH 240H (No condensation.)	【Note1】
4	High temperature operation test	Panel surface(Active Area) 80°C 240H ▲	【Note1】
5	Low temperature operation test	Ambient temperature -30°C 240H	【Note1】
6	Vibration test	< Sin wave > Frequency : 10~57Hz/Vibration width (one side) : 0.076mm : 57~500Hz/Gravity : 9.8m/s ² Sweep time : 11minutes Test period : 3H(X, Y, Z direction 1H)	【Note1】
7	Shock test	Max. gravity: 490m/s ² Pulse width: 11ms Direction: ±X, ±Y, ±Z Test period : 1time/1direction	【Note1】

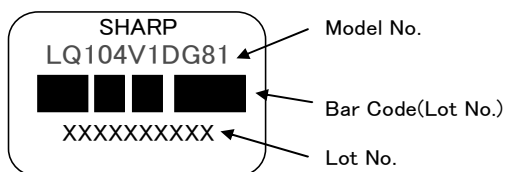
【Note1】 Under the display quality test conditions with normal operation state, these shall be no change which may affect practical display function. (normal operation state: Temperature:15~35°C, Humidity:45~75%, Atmospheric pressure:86~106kpa)

13. Others

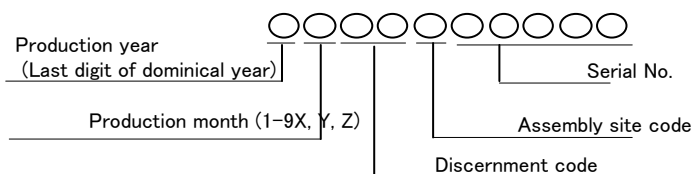
13-1. Lot No Label:

A) Module serial label

The label that displays SHARP·Model No.(LQ104V1DG81)·Lot No. is stuck on the back of the module.

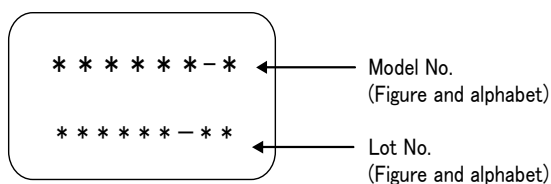


Lot No display method (Figure and alphabet)



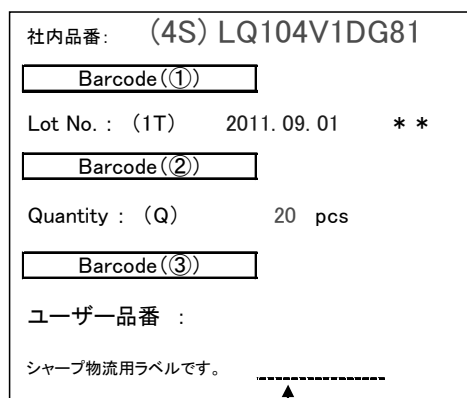
B) Backlight serial label

The label that displays the model No. and lot No. for the backlight is stuck on the back of the module.



13-2. Packing box Label:

The label that displays ①Model number(LQ104V1DG81) ②Lot number ③Quantity of module is stuck on the packing box. Moreover, the display of bar code also applies to this.



- ① Model number(LQ104V1DG81)
- ② Lot number (DATA)
- ③ Quantity of module

Our management product number might be filled i
(Example: LQ104V1DG81A etc.)

A right picture is written to the packing box of module for the RoHS restriction.

※ R.C.(RoHs Compliance) means these parts have corresponded with the RoHs directive.

This module corresponds from the first sample to RoHS Directive.

The production country of the figure below is written in the wrapping box.

MADE IN JAPAN OR MADE IN CHINA

R.C.

13-3. The ozone-depleting substances is not used.

13-4. If any problem occurs in relation to the description of this specification , it shall be resolved through discussion with spirit of cooperation.

14. Storage conditions

Environmental condition range of storage temperature and humidity

Temperature 0 to 40 degrees Celsius

Relative humidity 95% and below

【Note】Please refer below as a mean value of the environmental conditions.

Summer time temperature 20 to 35 degrees Celsius humidity , 85% and below

Winter time temperature 5 to 15 degrees Celsius humidity , 85% and below

Please maintain within 240 hours of accumulated length of storage time, with conditions of 40 degrees Celsius and room humidity of 95%.

Direct sun light

Please keep the product in a dark room or cover the product to protect from direct sun light.

Atmospheric condition

Please refrain from keeping the product with possible corrosive gas or volatile flux.

Prevention of dew

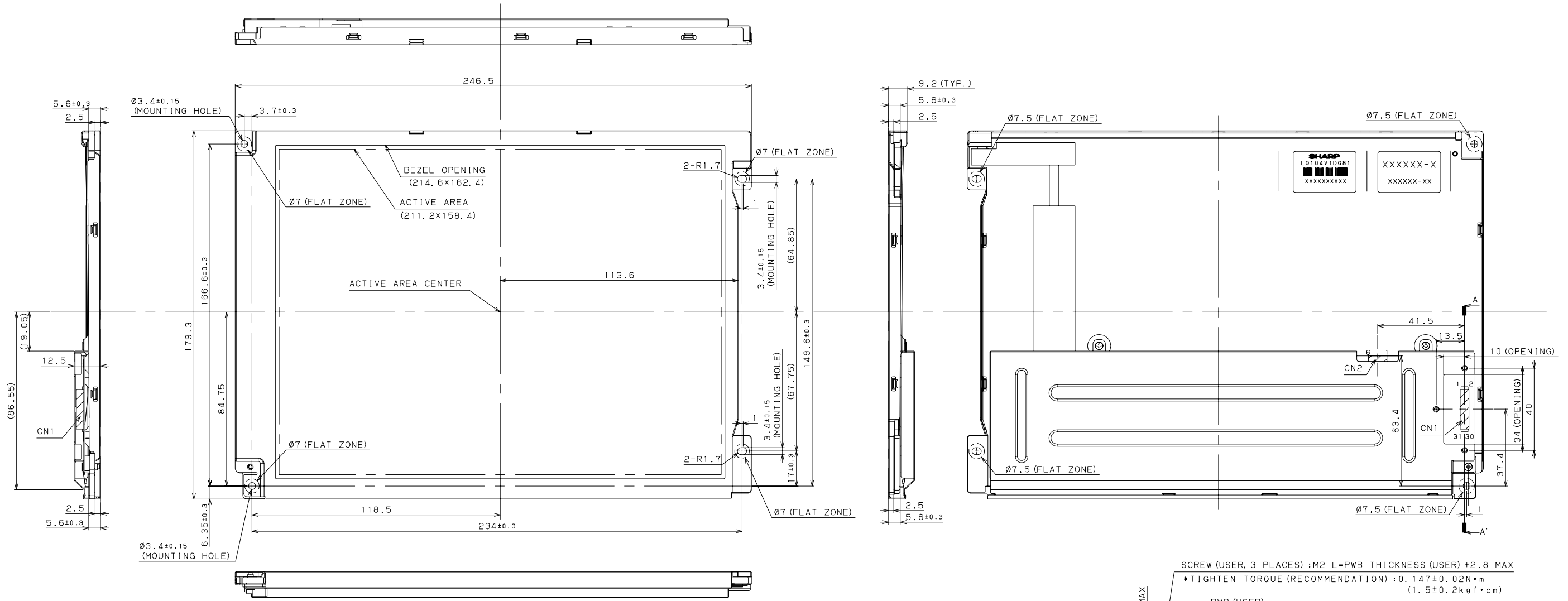
Please store the product carton either on a wooden pallet or a stand / rack to prevent dew.

Do not place directly on the floor. In addition, to obtain moderate ventilation in between the pallet's top and bottom surfaces, pile the cartons up in a single direction and in order.

Please place the product cartons away from the storage wall.

Storage period

Within above mentioned conditions, maximum storage period should be one year.



【I/F Connector】

CN1:DF9MA-31P-1V (HIROSE)

PIN LAYOUT

1	2	3	4	5	6	7	8
GND	CK	Hsync	Vsync	GND	R0	R1	R2
9	10	11	12	13	14	15	16
R3	R4	R5	GND	G0	G1	G2	G3
17	18	19	20	21	22	23	24
G4	G5	GND	B0	B1	B2	B3	B4
25	26	27	28	29	30	31	
B5	GND	ENAB	V _{cc}	V _{cc}	NC	SCAN	

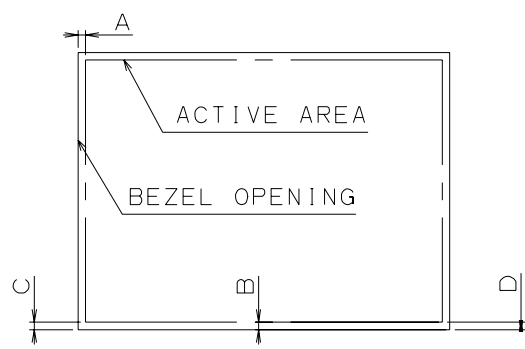
【LED Backlight Connector】

CN2:SM06B-SHLS-TF (JST)

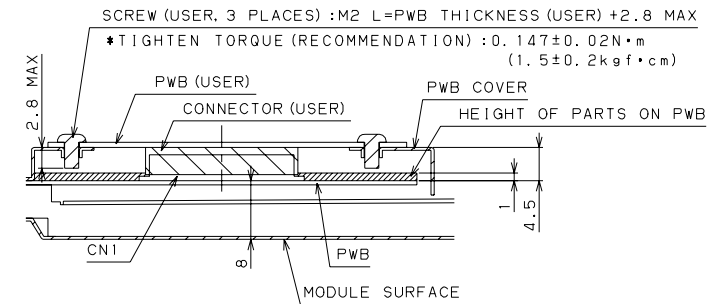
PIN LAYOUT

1	2	3	4	5	6
V _{DD}	V _{DD}	GND	GND	XSTABY	VBR

BEZEL/DISPLAY POSITION



- 1) TOLERANCE X-DIRECTION A:1.7±0.8
- 2) TOLERANCE Y-DIRECTION B:2.0±0.8
- 3) OBLIQUITY OF DISPLAY AREA IC-DI<0.8



NOTES

- 1) UNSPECIFIED TOLERANCE TO BE ±0.5
- 2) WARP AND FLOATING FOR PWB AND CHASSIS ARE EXCLUDED FROM THE THICKNESS OF THE UNIT.
- 3) TIGHTEN TORQUE (RECOMMENDATION) :0.294±0.02N·m (3.0±0.2kgf·cm)
*PLEASE CONFIRM WHETHER THERE IS THE PROBLEM SUCH AS LOOSENING OF THE SCREW IN A REAL MACHINE.
- 4) NEVER TAKE TO PIECES THE MODULE, BECAUSE IT WILL CAUSE FAILURE. PLEASE DO NOT PELL OFF THE PWB COVER, SCREW, TAPE PASTED TO THE PRODUCT.

Fig.1 :LQ104V1DG81 OUTLINE DIMENSIONS

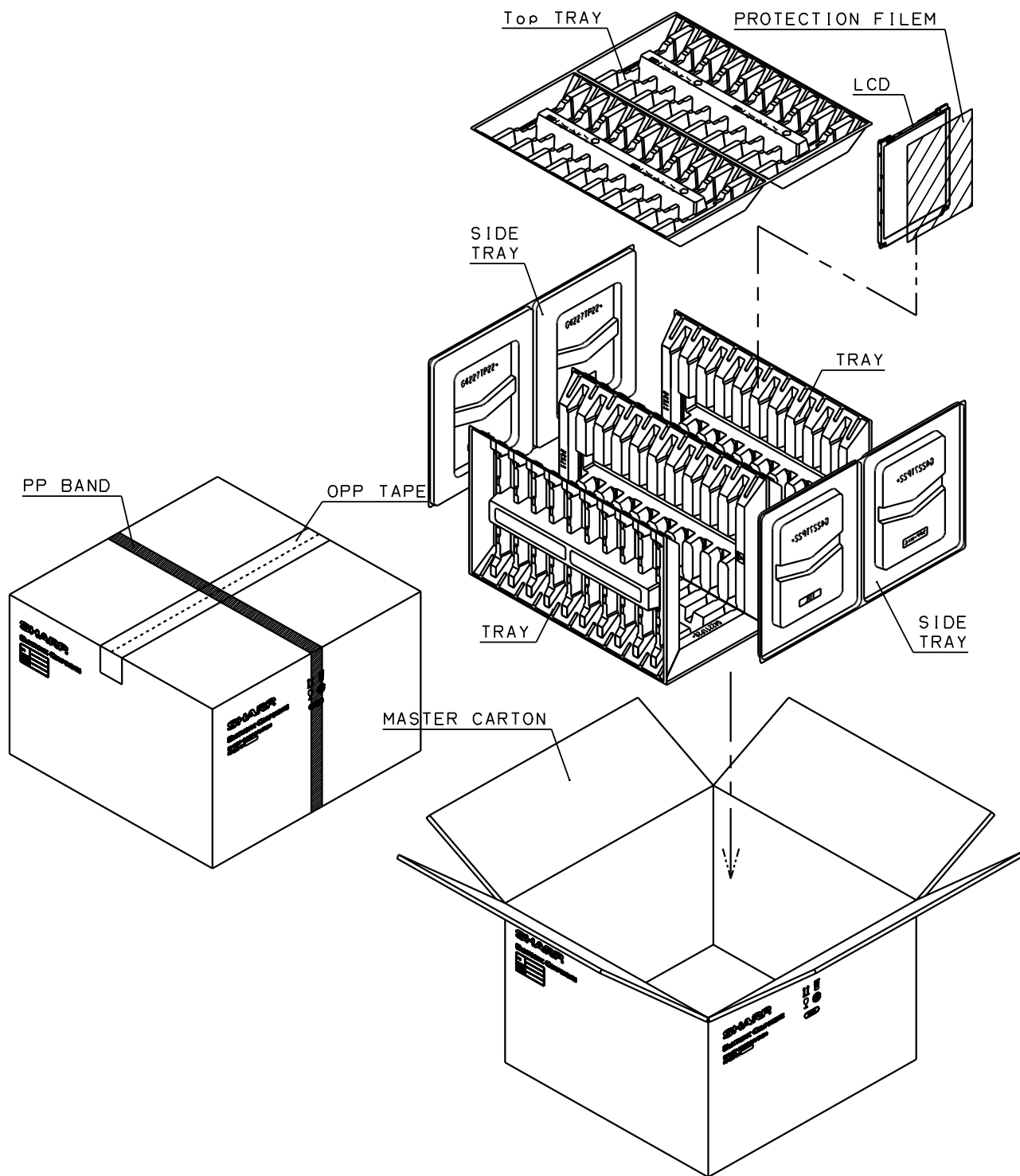


Fig.3 : PACKING FORM