



Chipsmall Limited consists of a professional team with an average of over 10 year of expertise in the distribution of electronic components. Based in Hongkong, we have already established firm and mutual-benefit business relationships with customers from,Europe,America and south Asia,supplying obsolete and hard-to-find components to meet their specific needs.

With the principle of “Quality Parts,Customers Priority,Honest Operation,and Considerate Service”,our business mainly focus on the distribution of electronic components. Line cards we deal with include Microchip,ALPS,ROHM,Xilinx,Pulse,ON,Everlight and Freescale. Main products comprise IC,Modules,Potentiometer,IC Socket,Relay,Connector.Our parts cover such applications as commercial,industrial, and automotives areas.

We are looking forward to setting up business relationship with you and hope to provide you with the best service and solution. Let us make a better world for our industry!



## Contact us

Tel: +86-755-8981 8866 Fax: +86-755-8427 6832

Email & Skype: info@chipsmall.com Web: www.chipsmall.com

Address: A1208, Overseas Decoration Building, #122 Zhenhua RD., Futian, Shenzhen, China



No.	UL2-M-241B
Date	18. Sep. 2012

## UL Parts List

Model No. : L Q 1 5 0 X 1 L G 1 1

< Document > 1) MATERIALS AND COMPONENT PARTS LIST  
 2) Module Structure

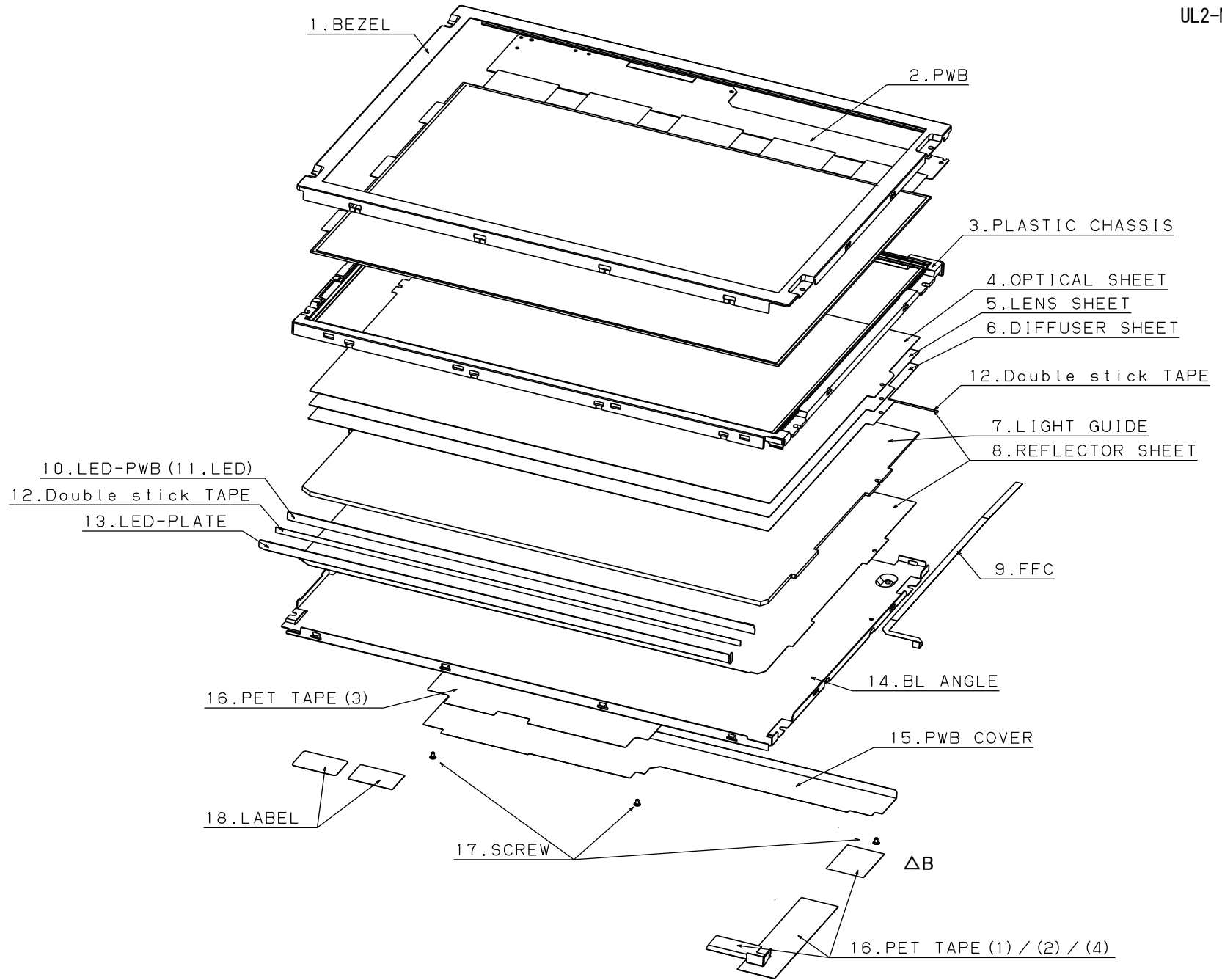
SHARP CORPORATION  
 DEVELOPMENT DEPT. I  
 DISPLAY DIVISION II  
 DISPLAY DEVICE BUSINESS GROUP

Department General Manager	Manager	Supervisor	In charge
<i>J. Kamamishi</i>	<i>T. Ohnishi</i>		<i>K. Nomoto</i>

NO.	DATE	SUMMARY
UL2-M-241A	2012/7/2	1st issue
UL2-M-241B	2012/9/18	ADD PET TAPE (4)

## MATERIALS AND COMPONENT PARTS LIST

COMPONENT	GENERIC NAME	CAT. No. (GRADE)	UL FILE No.	FLAME CLASS	MANUFACTURER	Ref. No.
BEZEL	SECC	-	-	-	-	1
PWB (SC-PWB) /LED PWB	GLASS EPOXY	YA-11	E114139	94V-0	T-MAC TECHVEST PCB CO LTD	2, 10
	GLASS EPOXY	TG-150	E150504	94V-0	ELITE ELECTRONIC MATERIAL (KUN SHAN) CO., LTD	
	GLASS EPOXY	TG-150	E186152	94V-0	WUXI GRACE ELECTRON TECHNOLOGY CO., LTD	
	GLASS EPOXY	M1X, G2X, G4X, UTBX, UTB1X, UTA1X	E41363	94V-0	CMK CORP	
	GLASS EPOXY	DS-7408MM	E103670	94V-0	DOOSAN CORPORATION ELECTRO-MATERIALS	
	GLASS EPOXY	R-1766/R-1661	E81336	94V-0	PANASONIC ELECTRIC WORKS	
	GLASS EPOXY	U-MD	E134826	94V-0	JANGSU UNIWELL ELECTRONIC LTD.	
	GLASS EPOXY	1, 1-9, 2, 2-3, 2-4, 2-5, 2-6, 2-7, 2-9, 2A, 2B	E222034	94V-0	TRIPOD(WUXI) ELECTRONIC CO LTD	
	GLASS EPOXY	A, 3, 3A, 5, 5B, 7-1, 7-2, EM-220(5)	E222034	94V-0	TRIPOD(WUXI) ELECTRONIC CO LTD	
	GLASS EPOXY	1, 2, 2-3, 2-4, 2-5, 2-6, 2-7, 2A	E187565	94V-0	TRIPOD TECHNOLOGY CO LTD	
	GLASS EPOXY	A, 2B, 3, 3A, 5, 5B, 7-1, 7-2	E187565	94V-0	TRIPOD TECHNOLOGY CO LTD	
GLASS EPOXY	MV-0, MV-0S	E88441	94V-0	TAIWAN PRINT CIRCUIT BOARD TECHVEST CO LTD		
PLASTIC CHASSIS	PC	FC-003B	E177071	94V-0	CHI LIN TECHNOLOGY CO LTD	3
	PC	875-20, 876-20, 875GnnF, 875Gmm	E123529	94V-0	SUMIKA STYRON POLYCARBONATE LTD	
	PC	LR8031V, LR8061V-F10, PCX-2501	E123529	94V-0	SUMIKA STYRON POLYCARBONATE LTD	
	PC	CELEX 310*, 370HF	E132010	94V-0	DOW CHEMICAL PACIFIC LTD	
	PC	EFR3000, EHR3100, EHR3500	E41179	94V-0	MITSUBISHI ENGINEERING-PLASTICS CORP	
	PC	LB-1090HK	E115797	94V-0	CHEIL INDUSTRIES INC CHEMICALS DIV	
OPTICAL SHEET	PC/PEN	DBEF-D*	-	-	3M COMPANY	4
LENS SHEET	PET	BEF	-	-	3M COMPANY	5
	PET	HLAS	-	-	LMS Co., Ltd	
DIFFUSER SHEET	PET	D****	-	-	TSUJIDEN CO LTD	6
	PET	LIGHT UP	-	-	KIMOTO CO LTD	
	PET	OPALUS	-	-	KEIWA INC	
	PET	CH27, CH28, CH273	-	-	SKC CO LTD	
LIGHT GUIDE	PMMA	ACRYLITE L, LX, VH	E54695	94HB	MITSUBISHI RAYON CO LTD	7
	PMMA	PARAPET HR	E54562	94HB	KURARAY CO LTD METHACRYL POLYMER	
	PMMA	COMOGLAS CG (SHINKOLITE A)	E54562	94HB	KURARAY CO LTD METHACRYL POLYMER	
	PMMA	SUMIPEX E/MG	E54705	94HB	SUMITOMO CHEMICAL CO LTD	
	PMMA	DELAGLAS AC/AD, 80NH	E48285	94HB	ASAHI KASEI CHEMICALS CORP	
	PMMA	ACRYREX CM-205	E56070	94HB	CHI MEI CORPORATION	
REFLECTOR SHEET	PET	Lumirror E6**	-	-	TORAY INDUSTRIES INC	8
	PET	OPALUS	-	-	KEIWA INC	
	PET	RF195E, RF195E2, RF215G, RF220E*	-	-	TSUJIDEN CO LTD	
FFC	POLYESTER	2896, 20624, 20861	E41105	VW-1	SUMITOMO ELECTRIC INDUSTRIES LTD	9
LED	LED	-	-	-	-	11
Double stick TAPE	PET	4880, 4972	-	-	tesa tape K.K.	12
	PET	7641, 707	-	-	TERAOKA SEISAKUSHO CO LTD	
LED PLATE / BL ANGLE	AL	-	-	-	-	13, 14
PWB COVER	PET	PET50(A)	-	-	LINTEC Corporation	15
	PET	X-30, S10	-	-	TORAY INDUSTRIES INC	
	PET	B-100	-	-	Mitsubishi Polyester Film Corporation	
	PET	707	-	-	TERAOKA SEISAKUSHO CO LTD	
	Polyester	630F	E56086	UL 510	TERAOKA SEISAKUSHO CO LTD	
	Polyester	631S	-	-	TERAOKA SEISAKUSHO CO LTD	
PET TAPE (1)/(2)/(3)/(4) △B	Polyester	630F	E56086	UL510	TERAOKA SEISAKUSHO CO LTD	16
	Polyester	#7053, #777	-	-	TERAOKA SEISAKUSHO CO LTD	
	Polyester	631S	-	-	TERAOKA SEISAKUSHO CO LTD	
SCREW	SWCH	-	-	-	-	17
	SUS	-	-	-	-	
LABEL	-	-	-	-	-	18



Module Construction