



Chipsmall Limited consists of a professional team with an average of over 10 year of expertise in the distribution of electronic components. Based in Hongkong, we have already established firm and mutual-benefit business relationships with customers from,Europe,America and south Asia,supplying obsolete and hard-to-find components to meet their specific needs.

With the principle of “Quality Parts,Customers Priority,Honest Operation,and Considerate Service”,our business mainly focus on the distribution of electronic components. Line cards we deal with include Microchip,ALPS,ROHM,Xilinx,Pulse,ON,Everlight and Freescale. Main products comprise IC,Modules,Potentiometer,IC Socket,Relay,Connector.Our parts cover such applications as commercial,industrial, and automotives areas.

We are looking forward to setting up business relationship with you and hope to provide you with the best service and solution. Let us make a better world for our industry!



Contact us

Tel: +86-755-8981 8866 Fax: +86-755-8427 6832

Email & Skype: info@chipsmall.com Web: www.chipsmall.com

Address: A1208, Overseas Decoration Building, #122 Zhenhua RD., Futian, Shenzhen, China



Series **D XX P 24B 6 XX 22 LF**

Number of contacts
09 , 15 , 25 , 37

Contacts
P : Pin

Plating
6 = 500 Mating / Unmating Mini

Packaging specification
Tape and Reel For connector with cap

See Note RoHS

Termination

Code	Type	Foot Print/Pitch	Length of termination	PCB thickness
24B	Straight version	6 / 2.84mm	2.90	2.4

NOTE RoHS INFORMATION

- The "LF" product meet european union Directives and other country regulations asdescribed in GS-22-008.
- The housing will whistand exposure to 260^o peak temperature for 30 seconds in a convection , infra-red or vapor reflow oven. See application notes/procedures if are available.
- Termination plating spec:1.27 μ Nickel mini,2.5 to 7.5 μ Sn(pure mate)
- Shell plating : Nickel bright
- Accessories : Sn pure bright
- Packaging spec ; See GS-14-920

Mounting Options

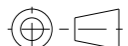

RL	Insert M3
RV	Female Screw UNC 4-40
RX	Insert UNC 4-40

Product Specification

see : GS-12-372

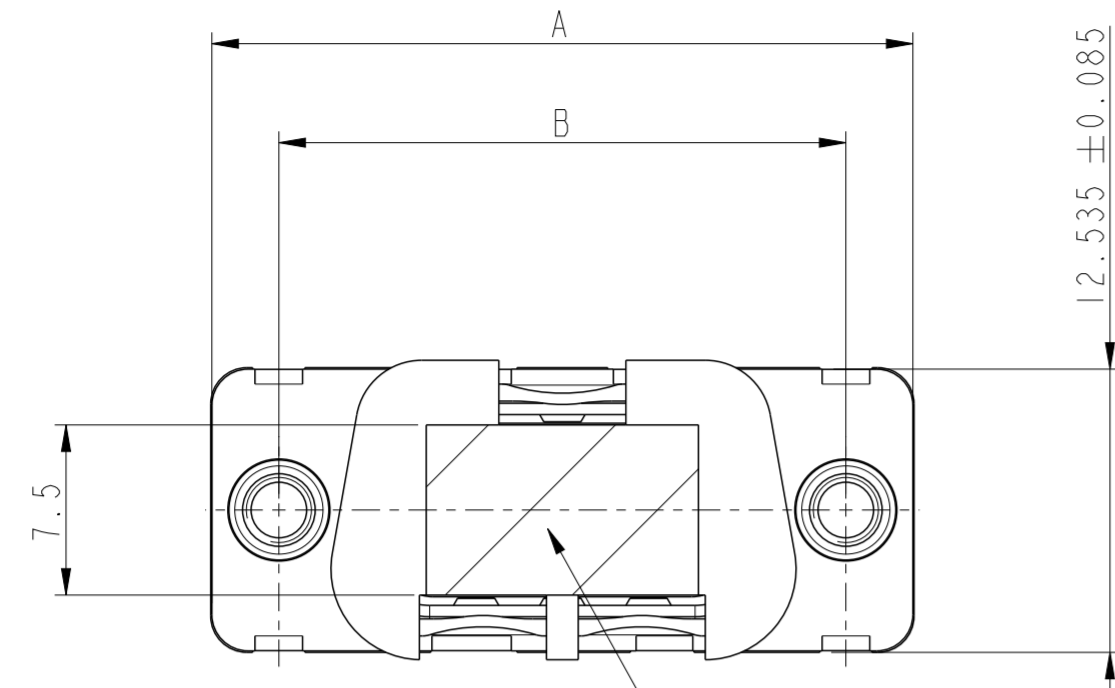
Packaging Specification

See GS-14-1052

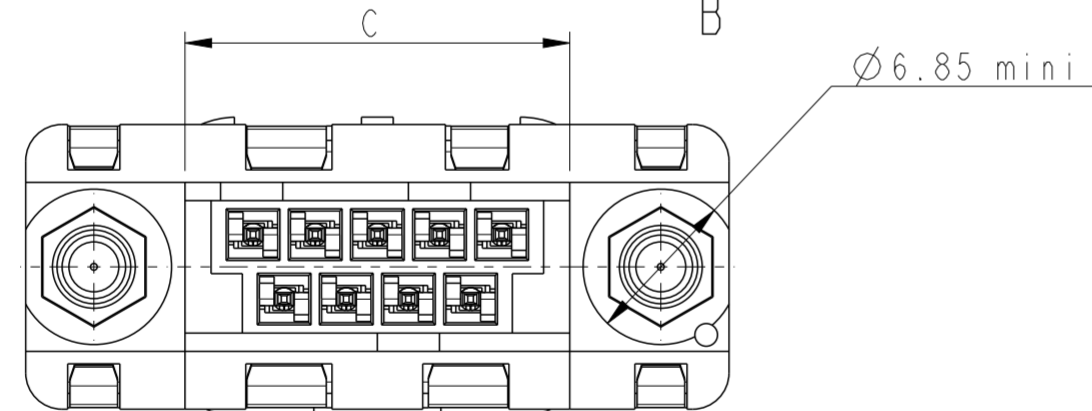
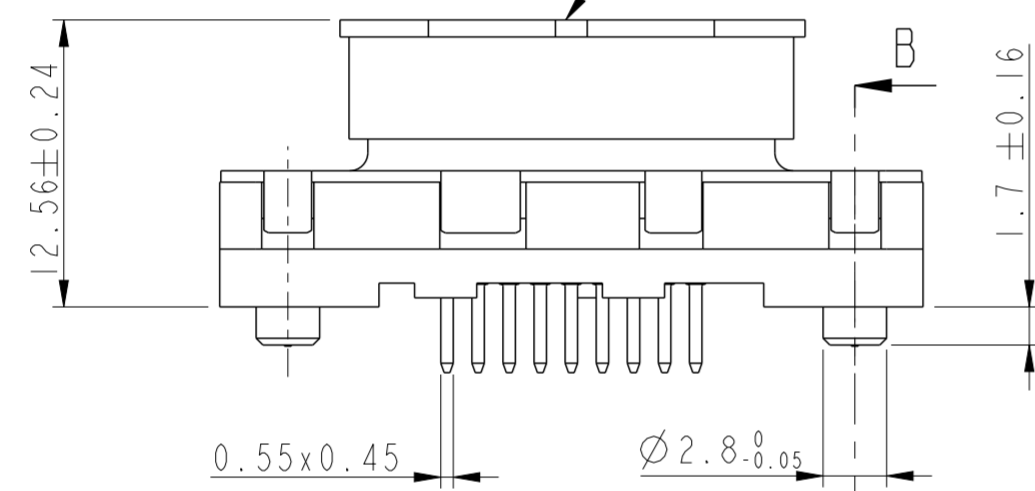
www.fciconnect.com		surface - <input checked="" type="checkbox"/> ISO 1302	tolerance std ISO 406 ISO 1101	projection 	mm 
TOLERANCES UNLESS OTHERWISE SPECIFIED					
Dr	H.LEGALLIC	22/08/22	ANGULAR	0.X	± 0.3
Eng	H.LEGALLIC	06/08/22	LINEAR	0.XX	± 0.1
Chr	NIRMAL G	2010-10-14	0° $\pm 2^\circ$	0.XXX	± 0.05
Appr	SUDHIR V	2010-10-14	Product family	SUB DELTA D PIP	Spec ref -
FCi			Title SUB DELTA D PIP MALE H=2.9		Rev. D
			straight for tape and reel packaging		dwg no C01-8646-0887
			catalog no SEE TABLE		CUSTOMER sheet 1 of 2

ltr	ecn no	dr	YY/MM/DD
I	CREATED	HLE	06/08/22
A	LS06-0223	PCR	2006/12/21
B	LS08-0112	HLE	2008/04/21
C	110-0120	NG	2010-05-27
D	110-0197	NG	2010-10-14
-	-	-	-
-	-	-	-

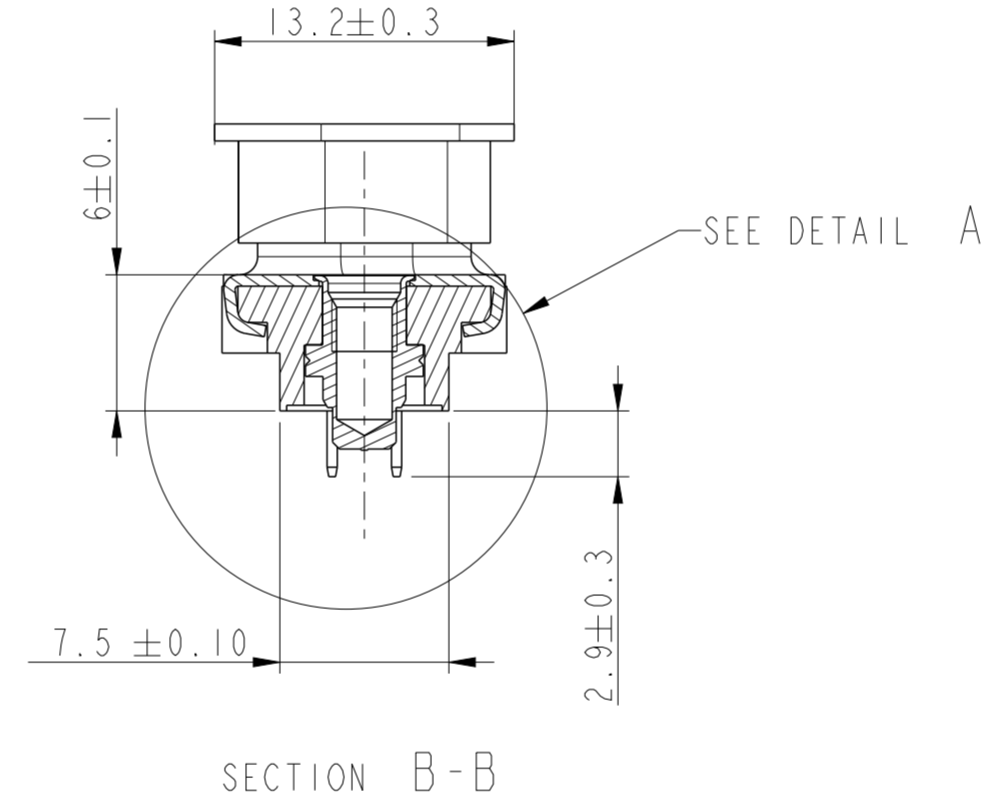
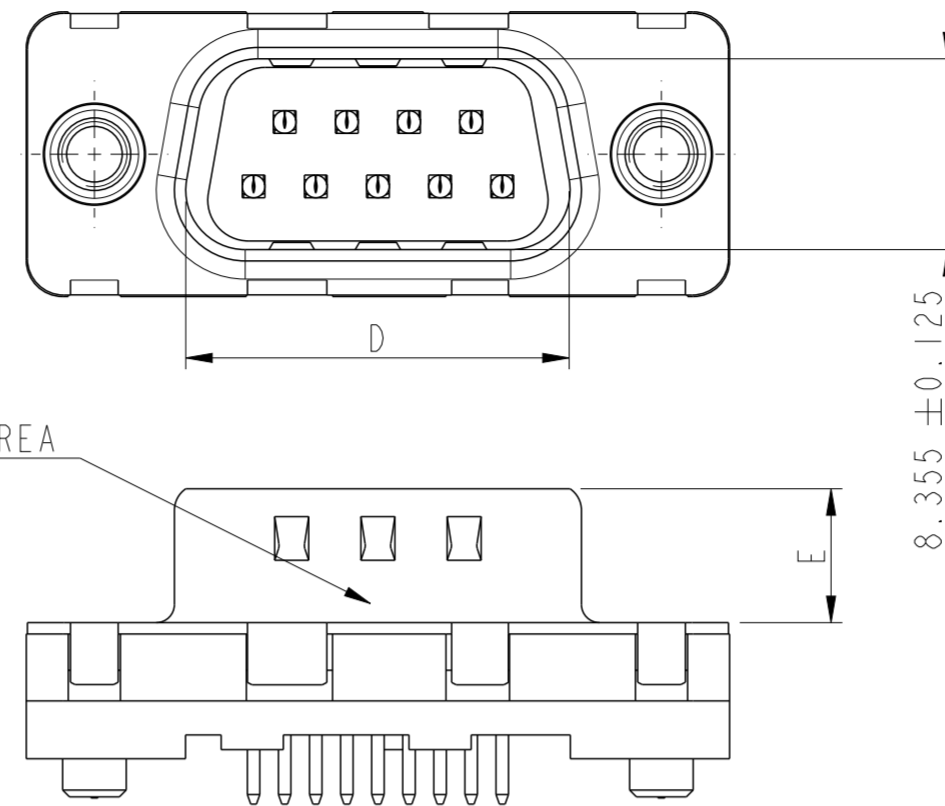
With CAP



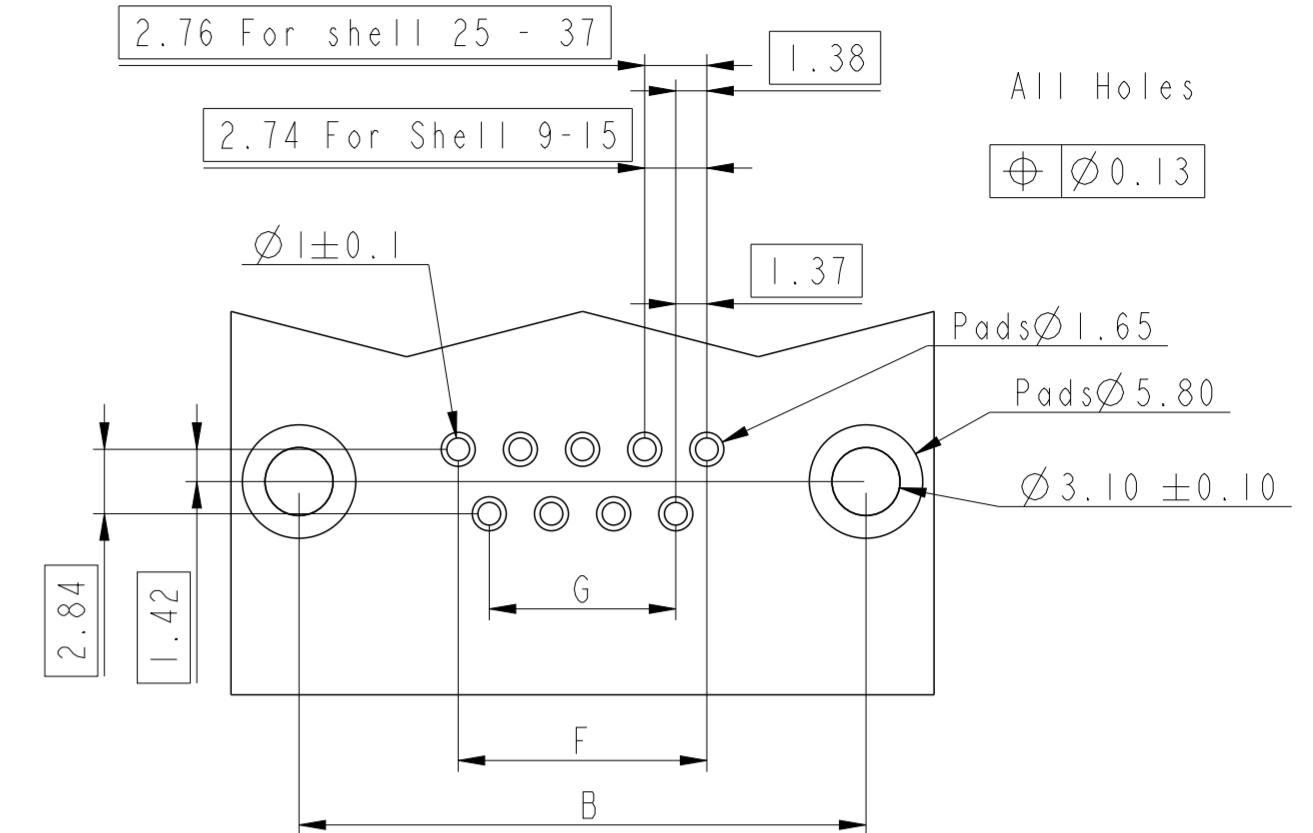
AREA VACUUM NOZZLE
 0.1



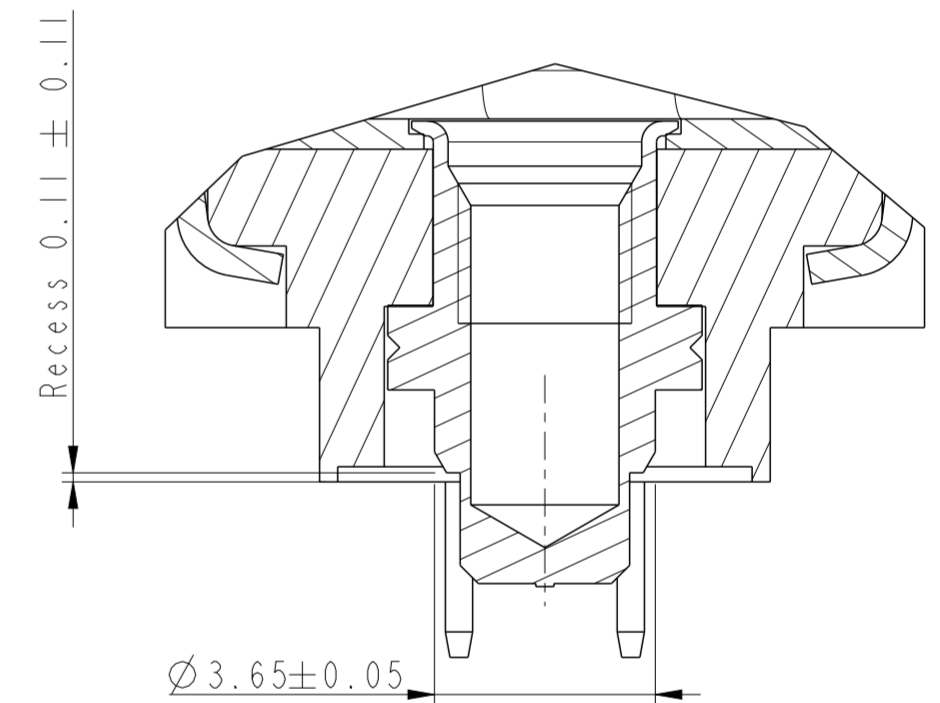
Without CAP



PCB Card Drilling dimensions and Pads recommended
 (after plating - Thickness : 2.40 mm)



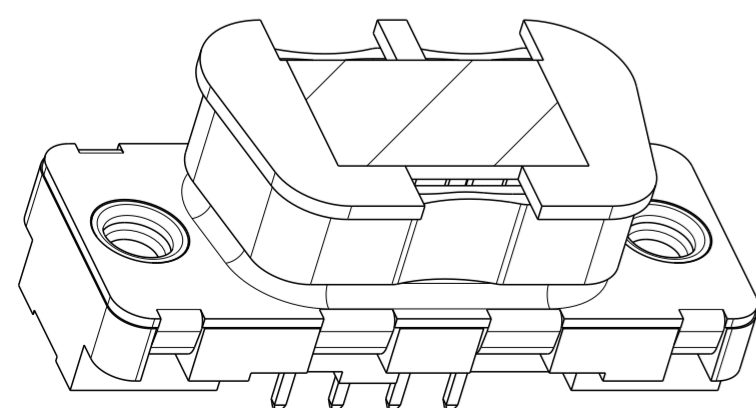
DETAIL A
 SCALE 8:1



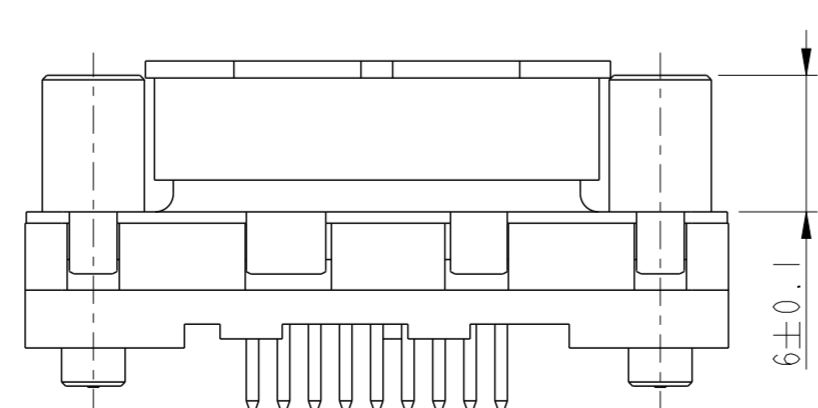
TRUE POSITIONING : Ø 0.36

SHELL	P/N LEAD FREE	A ±0.38	B ±0.10	C ±0.10	D +0.25 0	E +0.15 0	F	G
09	D09P24B6xx22LF	30.81	24.99	16.96	16.79	5.9	10.96	8.22
15	D15P24B6xx22LF	39.14	33.32	25.18	25.12	5.9	19.18	16.44
25	D25P24B6xx22LF	53.03	47.04	39.12	38.84	5.7	33.12	30.36
37	D37P24B6xx22LF	69.32	63.50	55.68	55.30	5.7	49.68	46.92

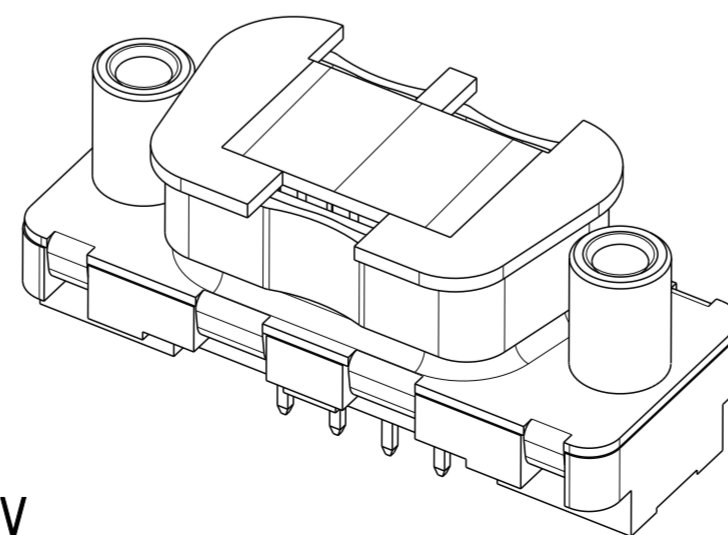
Accessories details



TYPE RX / RL



TYPE RV



www.fciconnect.com		surface <input checked="" type="checkbox"/> ISO 1302		tolerance std ISO 406 ISO 1101		projection		mm	
TOLERANCES UNLESS OTHERWISE SPECIFIED									
Dr	H.LEGALLIC	22/08/22	ANGULAR	LINEAR	0.x	±0.3	size A2	Scale 3:1	
Eng	H.LEGALLIC	06/08/22			0.xx	±0.1			
Chr	NIRMAL G	2010-10-14	0° ±2°		0.xxx	±0.05	ECN	110-0197	
Appr	SUDHIR V	2010-10-14	Product family SUB DELTA D PIP		Spec ref				
FCJ		Title SUB DELTA D PIP MALE H=2.9			Part no C01-8646-0887		Rev. D		
straight for tape and reel packaging		catalog no SEE TABLE		CUSTOMER		sheet 2 of 2			