



Chipsmall Limited consists of a professional team with an average of over 10 year of expertise in the distribution of electronic components. Based in Hongkong, we have already established firm and mutual-benefit business relationships with customers from,Europe,America and south Asia,supplying obsolete and hard-to-find components to meet their specific needs.

With the principle of “Quality Parts,Customers Priority,Honest Operation,and Considerate Service”,our business mainly focus on the distribution of electronic components. Line cards we deal with include Microchip,ALPS,ROHM,Xilinx,Pulse,ON,Everlight and Freescale. Main products comprise IC,Modules,Potentiometer,IC Socket,Relay,Connector.Our parts cover such applications as commercial,industrial, and automotives areas.

We are looking forward to setting up business relationship with you and hope to provide you with the best service and solution. Let us make a better world for our industry!



Contact us

Tel: +86-755-8981 8866 Fax: +86-755-8427 6832

Email & Skype: info@chipsmall.com Web: www.chipsmall.com

Address: A1208, Overseas Decoration Building, #122 Zhenhua RD., Futian, Shenzhen, China



CHIP COIL (CHIP INDUCTORS) LQP02HQ□□□□02□ Reference Specification

1.Scope

This reference specification applies to LQP02HQ series, Chip coil (Chip Inductors).

2.Part Numbering

| | | | | | | | | | | |
|------|------------|-----------|----------------------|---------------------|----------|------------|-----------|----------|--|-----------|
| (ex) | LQ | P | 02 | H | Q | 0N4 | W | 0 | 2 | L |
| | Product ID | Structure | Dimension (L × W) | Applications and | Category | Inductance | Tolerance | Features | Electrode | Packaging |
| | | | | | | | | | L:4mm-wide / plastic tape E:8mm-wide / plastic tape | *B: Bulk |

Characteristics

*Bulk packing also available. (A product is put in the plastic bag under the taping conditions.)

3.Rating

• Operating Temperature. -55°C to $+125^{\circ}\text{C}$

• Storage Temperature. -55°C to $+125^{\circ}\text{C}$

* Typical value is actual performance.

| Customer Part Number | MURATA Part Number | Inductance | | Q (min) | DC Resistance (Ω max) | Self Resonant Frequency (GHz) | | Rated Current (mA) |
|----------------------|--------------------|------------|-----------------------------------|---------|-------------------------------|-------------------------------|------|--------------------|
| | | (nH) | Tolerance | | | *Typ. | Min. | |
| | LQP02HQ0N2W02L | 0.2 | | - | 0.01 | | | 1000 |
| | LQP02HQ0N2W02E | | | | | | | |
| | LQP02HQ0N2B02L | | | | | | | |
| | LQP02HQ0N2B02E | | | | | | | |
| | LQP02HQ0N2C02L | | | | | | | |
| | LQP02HQ0N2C02E | | | | | | | |
| | LQP02HQ0N3W02L | 0.3 | | | 0.02 | | | 1000 |
| | LQP02HQ0N3W02E | | | | | | | |
| | LQP02HQ0N3B02L | | | | | | | |
| | LQP02HQ0N3B02E | | | | | | | |
| | LQP02HQ0N3C02L | | | | | | | |
| | LQP02HQ0N3C02E | | | | | | | |
| | LQP02HQ0N4W02L | 0.4 | | | 0.03 | >20 | 17.0 | 1000 |
| | LQP02HQ0N4W02E | | | | | | | |
| | LQP02HQ0N4B02L | | | | | | | |
| | LQP02HQ0N4B02E | | | | | | | |
| | LQP02HQ0N4C02L | | | | | | | |
| | LQP02HQ0N4C02E | | | | | | | |
| | LQP02HQ0N5W02L | 0.5 | W:±0.05nH B:±0.1nH C:±0.2nH | | 0.04 | | | 1000 |
| | LQP02HQ0N5W02E | | | | | | | |
| | LQP02HQ0N5B02L | | | | | | | |
| | LQP02HQ0N5B02E | | | | | | | |
| | LQP02HQ0N5C02L | | | | | | | |
| | LQP02HQ0N5C02E | | | | | | | |
| | LQP02HQ0N6W02L | 0.6 | | 14 | | | | 950 |
| | LQP02HQ0N6W02E | | | | | | | |
| | LQP02HQ0N6B02L | | | | | | | |
| | LQP02HQ0N6B02E | | | | | | | |
| | LQP02HQ0N6C02L | | | | | | | |
| | LQP02HQ0N6C02E | | | | | | | |
| | LQP02HQ0N7W02L | 0.7 | | | 0.05 | | | 900 |
| | LQP02HQ0N7W02E | | | | | | | |
| | LQP02HQ0N7B02L | | | | | | | |
| | LQP02HQ0N7B02E | | | | | | | |
| | LQP02HQ0N7C02L | | | | | | | |
| | LQP02HQ0N7C02E | | | | | | | |
| | LQP02HQ0N8W02L | 0.8 | | | | 19 | 15.5 | 900 |
| | LQP02HQ0N8W02E | | | | | | | |
| | LQP02HQ0N8B02L | | | | | | | |
| | LQP02HQ0N8B02E | | | | | | | |
| | LQP02HQ0N8C02L | | | | | | | |
| | LQP02HQ0N8C02E | | | | | | | |

| Customer Part Number | MURATA Part Number | Inductance | | Q (min) | DC Resistance (Ω max) | Self Resonant Frequency (GHz) | | Rated Current (mA) | | | | | | | | | |
|----------------------|--------------------|------------|---|---------|---|-------------------------------|---|--------------------|---|------|------|------|------|------|------|------|-----|
| | | (nH) | Tolerance | | | *Typ. | Min. | | | | | | | | | | |
| | LQP02HQ0N9W02L | 0.9 | W: \pm 0.05nH B: \pm 0.1nH C: \pm 0.2nH | 14 | 0.05 | 19 | 14.6 | 900 | | | | | | | | | |
| | LQP02HQ0N9W02E | | | | | | | | | | | | | | | | |
| | LQP02HQ0N9B02L | | | | | | | | | | | | | | | | |
| | LQP02HQ0N9B02E | | | | | | | | | | | | | | | | |
| | LQP02HQ0N9C02L | | | | | | | | | | | | | | | | |
| | LQP02HQ0N9C02E | | | | | | | | | | | | | | | | |
| | LQP02HQ1N0W02L | 1.0 | | | W: \pm 0.05nH B: \pm 0.1nH C: \pm 0.2nH | 14 | 0.05 | | 18 | 13.2 | 900 | | | | | | |
| | LQP02HQ1N0W02E | | | | | | | | | | | | | | | | |
| | LQP02HQ1N0B02L | | | | | | | | | | | | | | | | |
| | LQP02HQ1N0B02E | | | | | | | | | | | | | | | | |
| | LQP02HQ1N0C02L | | | | | | | | | | | | | | | | |
| | LQP02HQ1N0C02E | | | | | | | | | | | | | | | | |
| | LQP02HQ1N1W02L | 1.1 | | | | | W: \pm 0.05nH B: \pm 0.1nH C: \pm 0.2nH | | 14 | 0.06 | | 16 | 12.8 | 850 | | | |
| | LQP02HQ1N1W02E | | | | | | | | | | | | | | | | |
| | LQP02HQ1N1B02L | | | | | | | | | | | | | | | | |
| | LQP02HQ1N1B02E | | | | | | | | | | | | | | | | |
| | LQP02HQ1N1C02L | | | | | | | | | | | | | | | | |
| | LQP02HQ1N1C02E | | | | | | | | | | | | | | | | |
| | LQP02HQ1N2W02L | 1.2 | W: \pm 0.05nH B: \pm 0.1nH C: \pm 0.2nH | 14 | | | | 0.06 | | 15 | | 12.8 | 800 | | | | |
| | LQP02HQ1N2W02E | | | | | | | | | | | | | | | | |
| | LQP02HQ1N2B02L | | | | | | | | | | | | | | | | |
| | LQP02HQ1N2B02E | | | | | | | | | | | | | | | | |
| | LQP02HQ1N2C02L | | | | | | | | | | | | | | | | |
| | LQP02HQ1N2C02E | | | | | | | | | | | | | | | | |
| | LQP02HQ1N3W02L | 1.3 | | | W: \pm 0.05nH B: \pm 0.1nH C: \pm 0.2nH | 14 | | 0.06 | | 15 | 12.8 | 800 | | | | | |
| | LQP02HQ1N3W02E | | | | | | | | | | | | | | | | |
| | LQP02HQ1N3B02L | | | | | | | | | | | | | | | | |
| | LQP02HQ1N3B02E | | | | | | | | | | | | | | | | |
| | LQP02HQ1N3C02L | | | | | | | | | | | | | | | | |
| | LQP02HQ1N3C02E | | | | | | | | | | | | | | | | |
| | LQP02HQ1N4W02L | 1.4 | | | | | W: \pm 0.05nH B: \pm 0.1nH C: \pm 0.2nH | 14 | 0.08 | 14.5 | 12.7 | | | 700 | | | |
| | LQP02HQ1N4W02E | | | | | | | | | | | | | | | | |
| | LQP02HQ1N4B02L | | | | | | | | | | | | | | | | |
| | LQP02HQ1N4B02E | | | | | | | | | | | | | | | | |
| | LQP02HQ1N4C02L | | | | | | | | | | | | | | | | |
| | LQP02HQ1N4C02E | | | | | | | | | | | | | | | | |
| | LQP02HQ1N5W02L | 1.5 | W: \pm 0.05nH B: \pm 0.1nH C: \pm 0.2nH | 14 | | | | | 0.08 | 14 | 10.7 | | 700 | | | | |
| | LQP02HQ1N5W02E | | | | | | | | | | | | | | | | |
| | LQP02HQ1N5B02L | | | | | | | | | | | | | | | | |
| | LQP02HQ1N5B02E | | | | | | | | | | | | | | | | |
| | LQP02HQ1N5C02L | | | | | | | | | | | | | | | | |
| | LQP02HQ1N5C02E | | | | | | | | | | | | | | | | |
| | LQP02HQ1N6B02L | 1.6 | | | W: \pm 0.05nH B: \pm 0.1nH C: \pm 0.2nH | 14 | | | 0.08 | 14 | 10.7 | 700 | | | | | |
| | LQP02HQ1N6B02E | | | | | | | | | | | | | | | | |
| | LQP02HQ1N6C02L | | | | | | | | | | | | | | | | |
| | LQP02HQ1N6C02E | | | | | | | | | | | | | | | | |
| | LQP02HQ1N7B02L | | | | | | | | | | | | | | | | |
| | LQP02HQ1N7B02E | 1.7 | | | | | | | W: \pm 0.05nH B: \pm 0.1nH C: \pm 0.2nH | 14 | 0.08 | | | | 14 | 10.7 | 700 |
| | LQP02HQ1N7C02L | | | | | | | | | | | | | | | | |
| | LQP02HQ1N7C02E | | | | | | | | | | | | | | | | |
| | LQP02HQ1N8B02L | | | | | | | | | | | | | | | | |
| | LQP02HQ1N8B02E | | | | | | | | | | | | | | | | |
| | LQP02HQ1N8C02L | 1.8 | | | | | W: \pm 0.05nH B: \pm 0.1nH C: \pm 0.2nH | 14 | | | 0.08 | | | 13.5 | 10.2 | 700 | |
| | LQP02HQ1N8C02E | | | | | | | | | | | | | | | | |
| | LQP02HQ1N8C02L | | | | | | | | | | | | | | | | |
| | LQP02HQ1N8C02E | | | | | | | | | | | | | | | | |
| | LQP02HQ1N8C02E | | | | | | | | | | | | | | | | |

| Customer Part Number | MURATA Part Number | Inductance | | Q (min) | DC Resistance (Ω max) | Self Resonant Frequency (GHz) | | Rated Current (mA) |
|----------------------|--------------------|------------|-----------|---------|-------------------------------|-------------------------------|------|--------------------|
| | | (nH) | Tolerance | | | *Typ. | Min. | |
| | LQP02HQ1N9B02L | 1.9 | | 14 | 0.08 | 12.5 | 10.2 | 700 |
| | LQP02HQ1N9B02E | | | | | | | |
| | LQP02HQ1N9C02L | | | | | | | |
| | LQP02HQ1N9C02E | | | | | | | |
| | LQP02HQ2N0B02L | 2.0 | | 14 | 0.1 | 11.5 | 10.1 | 650 |
| | LQP02HQ2N0B02E | | | | | | | |
| | LQP02HQ2N0C02L | | | | | | | |
| | LQP02HQ2N0C02E | | | | | | | |
| | LQP02HQ2N1B02L | 2.1 | | 14 | 0.1 | 11.5 | 10.1 | 650 |
| | LQP02HQ2N1B02E | | | | | | | |
| | LQP02HQ2N1C02L | | | | | | | |
| | LQP02HQ2N1C02E | | | | | | | |
| | LQP02HQ2N2B02L | 2.2 | | 14 | 0.1 | 11.5 | 10.1 | 500 |
| | LQP02HQ2N2B02E | | | | | | | |
| | LQP02HQ2N2C02L | | | | | | | |
| | LQP02HQ2N2C02E | | | | | | | |
| | LQP02HQ2N3B02L | 2.3 | | 14 | 0.1 | 11.5 | 10.1 | 450 |
| | LQP02HQ2N3B02E | | | | | | | |
| | LQP02HQ2N3C02L | | | | | | | |
| | LQP02HQ2N3C02E | | | | | | | |
| | LQP02HQ2N4B02L | 2.4 | | 14 | 0.1 | 11.5 | 10.1 | 450 |
| | LQP02HQ2N4B02E | | | | | | | |
| | LQP02HQ2N4C02L | | | | | | | |
| | LQP02HQ2N4C02E | | | | | | | |
| | LQP02HQ2N5B02L | 2.5 | | 14 | 0.1 | 11.5 | 10.1 | 450 |
| | LQP02HQ2N5B02E | | | | | | | |
| | LQP02HQ2N5C02L | | | | | | | |
| | LQP02HQ2N5C02E | | | | | | | |
| | LQP02HQ2N6B02L | 2.6 | | 14 | 0.2 | 11.5 | 9.5 | 450 |
| | LQP02HQ2N6B02E | | | | | | | |
| | LQP02HQ2N6C02L | | | | | | | |
| | LQP02HQ2N6C02E | | | | | | | |
| | LQP02HQ2N7B02L | 2.7 | | 14 | 0.2 | 11.5 | 9.5 | 450 |
| | LQP02HQ2N7B02E | | | | | | | |
| | LQP02HQ2N7C02L | | | | | | | |
| | LQP02HQ2N7C02E | | | | | | | |
| | LQP02HQ2N8B02L | 2.8 | | 14 | 0.2 | 11.5 | 9.5 | 450 |
| | LQP02HQ2N8B02E | | | | | | | |
| | LQP02HQ2N8C02L | | | | | | | |
| | LQP02HQ2N8C02E | | | | | | | |
| | LQP02HQ2N9B02L | 2.9 | | 14 | 0.2 | 11.5 | 9.5 | 450 |
| | LQP02HQ2N9B02E | | | | | | | |
| | LQP02HQ2N9C02L | | | | | | | |
| | LQP02HQ2N9C02E | | | | | | | |
| | LQP02HQ3N0B02L | 3.0 | | 14 | 0.2 | 11.5 | 9.5 | 450 |
| | LQP02HQ3N0B02E | | | | | | | |
| | LQP02HQ3N0C02L | | | | | | | |
| | LQP02HQ3N0C02E | | | | | | | |
| | LQP02HQ3N1B02L | 3.1 | | 14 | 0.25 | 10 | 8.5 | 400 |
| | LQP02HQ3N1B02E | | | | | | | |
| | LQP02HQ3N1C02L | | | | | | | |
| | LQP02HQ3N1C02E | | | | | | | |
| | LQP02HQ3N2B02L | 3.2 | | 14 | 0.25 | 10 | 8.5 | 400 |
| | LQP02HQ3N2B02E | | | | | | | |
| | LQP02HQ3N2C02L | | | | | | | |

| Customer Part Number | MURATA Part Number | Inductance | | Q (min) | DC Resistance (Ω max) | Self Resonant Frequency (GHz) | | Rated Current (mA) |
|----------------------|--------------------|------------|----------------------|---------|-------------------------------|-------------------------------|------|--------------------|
| | | (nH) | Tolerance | | | *Typ. | Min. | |
| | LQP02HQ3N3B02L | 3.3 | B:±0.1nH C:±0.2nH | 14 | 0.25 | 10 | 8.2 | 400 |
| | LQP02HQ3N3B02E | | | | | | | |
| | LQP02HQ3N3C02L | | | | | | | |
| | LQP02HQ3N3C02E | | | | | | | |
| | LQP02HQ3N4B02L | | | | | | | |
| | LQP02HQ3N4B02E | | | | | | | |
| | LQP02HQ3N4C02L | | | | | | | |
| | LQP02HQ3N4C02E | | | | | | | |
| | LQP02HQ3N5B02L | 3.5 | | | | | | |
| | LQP02HQ3N5B02E | | | | | | | |
| | LQP02HQ3N5C02L | | | | | | | |
| | LQP02HQ3N5C02E | | | | | | | |
| | LQP02HQ3N6B02L | 3.6 | | | | | | |
| | LQP02HQ3N6B02E | | | | | | | |
| | LQP02HQ3N6C02L | | | | | | | |
| | LQP02HQ3N6C02E | | | | | | | |
| | LQP02HQ3N7B02L | 3.7 | | | | | | |
| | LQP02HQ3N7B02E | | | | | | | |
| | LQP02HQ3N7C02L | | | | | | | |
| | LQP02HQ3N7C02E | | | | | | | |
| | LQP02HQ3N8B02L | 3.8 | | | | | | |
| | LQP02HQ3N8B02E | | | | | | | |
| | LQP02HQ3N8C02L | | | | | | | |
| | LQP02HQ3N8C02E | | | | | | | |
| | LQP02HQ3N9B02L | 3.9 | | | | | | |
| | LQP02HQ3N9B02E | | | | | | | |
| | LQP02HQ3N9C02L | | | | | | | |
| | LQP02HQ3N9C02E | | | | | | | |
| | LQP02HQ4N0B02L | 4.0 | | | | | | |
| | LQP02HQ4N0B02E | | | | | | | |
| | LQP02HQ4N0C02L | | | | | | | |
| | LQP02HQ4N0C02E | | | | | | | |
| | LQP02HQ4N1B02L | 4.1 | | | | | | |
| | LQP02HQ4N1B02E | | | | | | | |
| | LQP02HQ4N1C02L | | | | | | | |
| | LQP02HQ4N1C02E | | | | | | | |
| | LQP02HQ4N2B02L | 4.2 | | | | | | |
| | LQP02HQ4N2B02E | | | | | | | |
| | LQP02HQ4N2C02L | | | | | | | |
| | LQP02HQ4N2C02E | | | | | | | |
| | LQP02HQ4N3H02L | 4.3 | | | | | | |
| | LQP02HQ4N3H02E | | | | | | | |
| | LQP02HQ4N3J02L | | | | | | | |
| | LQP02HQ4N3J02E | | | | | | | |
| | LQP02HQ4N7H02L | 4.7 | H:±3% J:±5% | 13 | 0.35 | 9 | 6.9 | 350 |
| | LQP02HQ4N7H02E | | | | | | | |
| | LQP02HQ4N7J02L | | | | | | | |
| | LQP02HQ4N7J02E | | | | | | | |
| | LQP02HQ5N1H02L | 5.1 | | | | | | |
| | LQP02HQ5N1H02E | | | | | | | |
| | LQP02HQ5N1J02L | | | | | | | |
| | LQP02HQ5N1J02E | | | | | | | |

| Customer Part Number | MURATA Part Number | Inductance | | Q (min) | DC Resistance (Ω max) | Self Resonant Frequency (GHz) | | Rated Current (mA) |
|----------------------|--------------------|------------|----------------|---------|-------------------------------|-------------------------------|------|--------------------|
| | | (nH) | Tolerance | | | *Typ. | Min. | |
| | LQP02HQ5N6H02L | 5.6 | | 13 | 0.4 | 7.5 | 6.1 | 300 |
| | LQP02HQ5N6H02E | | | | | | | |
| | LQP02HQ5N6J02L | | | | | | | |
| | LQP02HQ5N6J02E | | | | | | | |
| | LQP02HQ6N2H02L | 6.2 | | 13 | 0.4 | 7.0 | 6.0 | |
| | LQP02HQ6N2H02E | | | | | | | |
| | LQP02HQ6N2J02L | | | | | | | |
| | LQP02HQ6N2J02E | 6.8 | | 13 | 0.4 | 7.0 | 5.7 | |
| | LQP02HQ6N8H02L | | | | | | | |
| | LQP02HQ6N8H02E | | | | | | | |
| | LQP02HQ6N8J02L | | | | | | | |
| | LQP02HQ6N8J02E | 7.5 | | 13 | 0.4 | 6.5 | 5.6 | |
| | LQP02HQ7N5H02L | | | | | | | |
| | LQP02HQ7N5H02E | | | | | | | |
| | LQP02HQ7N5J02L | | | | | | | |
| | LQP02HQ7N5J02E | 8.2 | | 13 | 0.5 | 6.0 | 5.1 | |
| | LQP02HQ8N2H02L | | | | | | | |
| | LQP02HQ8N2H02E | | | | | | | |
| | LQP02HQ8N2J02L | | | | | | | |
| | LQP02HQ8N2J02E | 9.1 | | 13 | 0.5 | 6.0 | 4.9 | |
| | LQP02HQ9N1H02L | | | | | | | |
| | LQP02HQ9N1H02E | | | | | | | |
| | LQP02HQ9N1J02L | | | | | | | |
| | LQP02HQ9N1J02E | 10 | H:±3% J:±5% | 13 | 0.6 | 5.8 | 250 | |
| | LQP02HQ10NH02L | | | | | | | |
| | LQP02HQ10NH02E | | | | | | | |
| | LQP02HQ10NJ02L | | | | | | | |
| | LQP02HQ10NJ02E | 11 | | 13 | 0.8 | 5.6 | 230 | |
| | LQP02HQ11NH02L | | | | | | | |
| | LQP02HQ11NH02E | | | | | | | |
| | LQP02HQ11NJ02L | | | | | | | |
| | LQP02HQ11NJ02E | 12 | | 13 | 0.82 | 4.0 | 210 | |
| | LQP02HQ12NH02L | | | | | | | |
| | LQP02HQ12NH02E | | | | | | | |
| | LQP02HQ12NJ02L | | | | | | | |
| | LQP02HQ12NJ02E | 13 | | 13 | 0.99 | 4.8 | 170 | |
| | LQP02HQ13NH02L | | | | | | | |
| | LQP02HQ13NH02E | | | | | | | |
| | LQP02HQ13NJ02L | | | | | | | |
| | LQP02HQ13NJ02E | 15 | | 13 | 1.53 | 4.4 | 160 | |
| | LQP02HQ15NH02L | | | | | | | |
| | LQP02HQ15NH02E | | | | | | | |
| | LQP02HQ15NJ02L | | | | | | | |
| | LQP02HQ15NJ02E | 16 | | 13 | 1.53 | 4.4 | 160 | |
| | LQP02HQ16NH02L | | | | | | | |
| | LQP02HQ16NH02E | | | | | | | |
| | LQP02HQ16NJ02L | | | | | | | |
| | LQP02HQ16NJ02E | 18 | | 13 | 1.63 | 4.2 | 3.7 | |
| | LQP02HQ18NH02L | | | | | | | |
| | LQP02HQ18NH02E | | | | | | | |
| | LQP02HQ18NJ02L | | | | | | | |
| | LQP02HQ18NJ02E | | | | | | | |

| Customer Part Number | MURATA Part Number | Inductance | | Q (min) | DC Resistance (Ω max) | Self Resonant Frequency (GHz) | | Rated Current (mA) | | | | | | |
|----------------------|--------------------|------------|----------------|----------------|-------------------------------|-------------------------------|------|--------------------|----------------|-----|-----|-----|-----|-----|
| | | (nH) | Tolerance | | | *Typ. | Min. | | | | | | | |
| | LQP02HQ20NH02L | 20 | H:±3% J:±5% | 12 | 2.26 | 3.9 | 3.0 | 140 | | | | | | |
| | LQP02HQ20NH02E | | | | | | | | | | | | | |
| | LQP02HQ20NJ02L | | | | | | | | | | | | | |
| | LQP02HQ20NJ02E | | | | | | | | | | | | | |
| | LQP02HQ22NH02L | 22 | H:±3% J:±5% | | 12 | 2.6 | 3.7 | | 2.9 | 120 | | | | |
| | LQP02HQ22NH02E | | | | | | | | | | | | | |
| | LQP02HQ22NJ02L | | | | | | | | | | | | | |
| | LQP02HQ22NJ02E | 24 | | | | H:±3% J:±5% | 12 | | 2.6 | | 3.6 | 2.6 | 110 | |
| | LQP02HQ24NH02L | | | | | | | | | | | | | |
| | LQP02HQ24NH02E | | | | | | | | | | | | | |
| | LQP02HQ24NJ02L | | | | | | | | | | | | | |
| | LQP02HQ24NJ02E | 27 | | | | | | | H:±3% J:±5% | | 9 | 3.2 | | 3.2 |
| | LQP02HQ27NH02L | | | | | | | | | | | | | |
| | LQP02HQ27NH02E | | | | | | | | | | | | | |
| | LQP02HQ27NJ02L | | | | | | | | | | | | | |
| | LQP02HQ27NJ02E | 30 | | H:±3% J:±5% | | | | 9 | | | | 3.6 | | 3.1 |
| | LQP02HQ30NH02L | | | | | | | | | | | | | |
| | LQP02HQ30NH02E | | | | | | | | | | | | | |
| | LQP02HQ30NJ02L | | | | | | | | | | | | | |
| | LQP02HQ30NJ02E | 33 | H:±3% J:±5% | | 8 | 4.0 | 2.7 | | | 2.1 | | 100 | | |
| | LQP02HQ33NH02L | | | | | | | | | | | | | |
| | LQP02HQ33NH02E | | | | | | | | | | | | | |
| | LQP02HQ33NJ02L | | | | | | | | | | | | | |
| | LQP02HQ33NJ02E | 36 | | | | H:±3% J:±5% | 8 | | 4.2 | 2.6 | 1.9 | | 100 | |
| | LQP02HQ36NH02L | | | | | | | | | | | | | |
| | LQP02HQ36NH02E | | | | | | | | | | | | | |
| | LQP02HQ36NJ02L | | | | | | | | | | | | | |
| | LQP02HQ36NJ02E | 39 | | H:±3% J:±5% | | | | 8 | 4.2 | 2.5 | 1.9 | | | 100 |
| | LQP02HQ39NH02L | | | | | | | | | | | | | |
| | LQP02HQ39NH02E | | | | | | | | | | | | | |
| | LQP02HQ39NJ02L | | | | | | | | | | | | | |
| | LQP02HQ39NJ02E | 43 | H:±3% J:±5% | | 8 | | | | 4.2 | 2.5 | 1.9 | 100 | | |
| | LQP02HQ43NH02L | | | | | | | | | | | | | |
| | LQP02HQ43NH02E | | | | | | | | | | | | | |
| | LQP02HQ43NJ02L | | | | | | | | | | | | | |
| | LQP02HQ43NJ02E | 47 | | | | H:±3% J:±5% | 8 | | 4.2 | 2.5 | 1.9 | | 100 | |
| | LQP02HQ47NH02L | | | | | | | | | | | | | |
| | LQP02HQ47NH02E | | | | | | | | | | | | | |
| | LQP02HQ47NJ02L | | | | | | | | | | | | | |
| | LQP02HQ47NJ02E | 51 | | H:±3% J:±5% | | | | 8 | 4.2 | 2.5 | 1.9 | | | 100 |
| | LQP02HQ51NH02L | | | | | | | | | | | | | |
| | LQP02HQ51NH02E | | | | | | | | | | | | | |
| | LQP02HQ51NJ02L | | | | | | | | | | | | | |
| | LQP02HQ51NJ02E | 56 | H:±3% J:±5% | | 8 | | | | 4.2 | 2.5 | 1.9 | 100 | | |
| | LQP02HQ56NH02L | | | | | | | | | | | | | |
| | LQP02HQ56NH02E | | | | | | | | | | | | | |
| | LQP02HQ56NJ02L | | | | | | | | | | | | | |
| | LQP02HQ56NJ02E | | | | | | | | | | | | | |

4. Testing Conditions

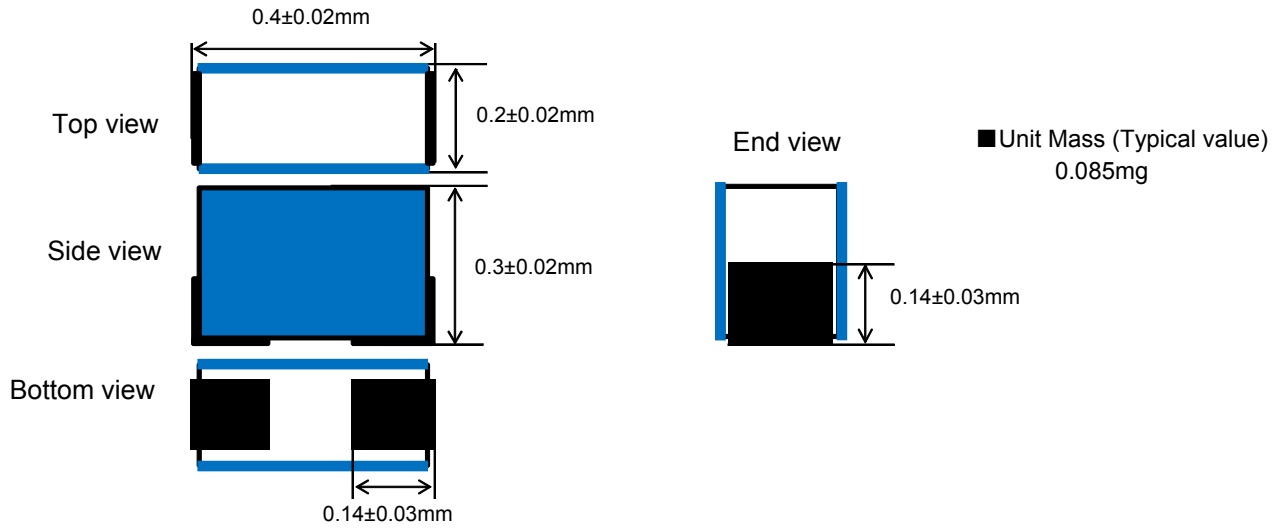
《Unless otherwise specified》

Temperature : Ordinary Temperature / 15°C to 35°C
Humidity : Ordinary Humidity / 25%(RH) to 85 %(RH)

《In case of doubt》

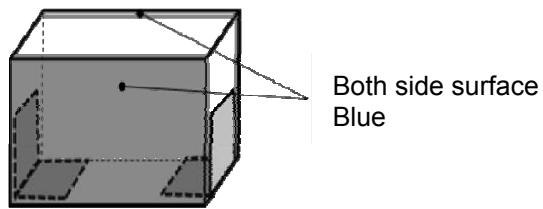
Temperature : 20°C ± 2°C
Humidity : 60%(RH) to 70 %(RH)
Atmospheric Pressure : 86kPa to 106 kPa

5. Appearance and Dimensions

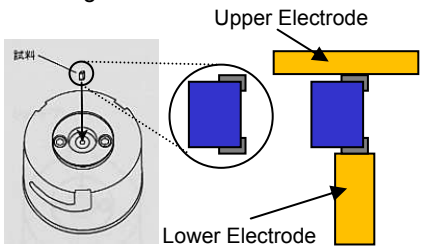


6. Marking

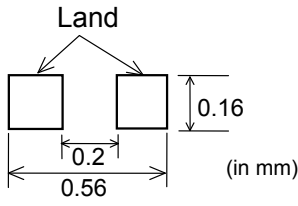
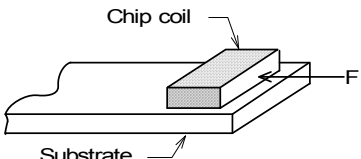
Side surface identification marking :Blue

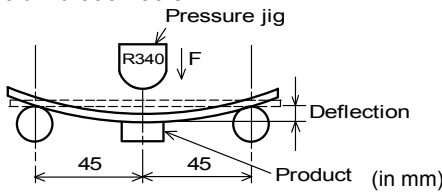


7. Electrical Performance

| No. | Item | Specification | Test Method |
|-----|--------------------------------|---|---|
| 7.1 | Inductance | Inductance shall meet item 3. | <p>Measuring Equipment: KEYSIGHT E4991A or equivalent</p> <p>Measuring Frequency: (0.2~30nH)500MHz (33~56nH) 300MHz</p> <p>Measuring Condition: Test signal level / about 0dBm Electrical length / 27.3mm</p> <p>Measuring Fixture: KEYSIGHT 16196D Insert Chip coil in the hole in order that the polarity marking is at the top of the side surface. Contact coil with each terminal by adding the weigh cover. See diagram below.</p>  |
| 7.2 | Q | Q shall meet item 3. | <p>Make close contact of the outer electrode of a product with the lower electrode like above to avoid dispersion of measurement.</p> <p>Chip coil placement hole: $\phi 0.36\text{mm}$</p> <p>Measuring Method: See the endnote <Electrical Performance: Measuring Method of Inductance/Q></p> |
| 7.3 | DC Resistance | DC Resistance shall meet item 3. | Measuring Equipment: Digital multi meter |
| 7.4 | Self Resonant Frequency(S.R.F) | S.R.F shall meet item 3. | Measuring Equipment: KEYSIGHT N5230A or equivalent |
| 7.5 | Rated Current | Self temperature rise shall be limited to 25°C max. | The rated current is applied. |

8. Mechanical Performance

| No. | Item | Specification | Test Method |
|-----|------------|---|---|
| 8.1 | Shear Test | Chip coil shall not be damaged after tested as test method. | <p>Substrate: Glass-epoxy substrate</p>  <p>Force: 1N Hold Duration: 5 s\pm1 s Applied Direction: Parallel to PCB</p>  |

| No. | Item | Specification | Test Method |
|-----|------------------------------|--|--|
| 8.2 | Bending Test | Chip coil shall not be damaged after tested as test method. | Substrate: Glass-epoxy substrate (100mm × 40mm × 0.8mm) Speed of Applying Force: 1mm / s Deflection: 1mm Hold Duration: 30 s Pressure jig  |
| 8.3 | Vibration | Appearance: No damage Inductance Change: within ±10% | Substrate: Glass-epoxy substrate Oscillation Frequency: 10Hz to 2000Hz to 10Hz for 20 min Total amplitude 1.5 mm or Acceleration amplitude 196 m/s ² whichever is smaller. Testing Time: A period of 2h in each of 3 mutually perpendicular directions. |
| 8.4 | Solderability | The electrode shall be at least 90% covered with new solder coating. | Flux: Ethanol solution of rosin 25(wt)% (Immersed for 5s to 10s) Solder: Sn-3.0Ag-0.5Cu Pre-Heating: 150°C ± 10°C / 60s to 90s Solder Temperature: 240°C ± 5°C Immersion Time: 3s ± 1s |
| 8.5 | Resistance to Soldering Heat | Appearance: No damage Inductance Change: within ±10% | Flux: Ethanol solution of rosin 25(wt)% (Immersed for 5s to 10s) Solder: Sn-3.0Ag-0.5Cu Pre-Heating: 150°C ± 10°C / 60s to 90s Solder Temperature: 260°C ± 5°C Immersion Time: 5s ± 1s Then measured after exposure in the room condition for 24h ± 2h. |

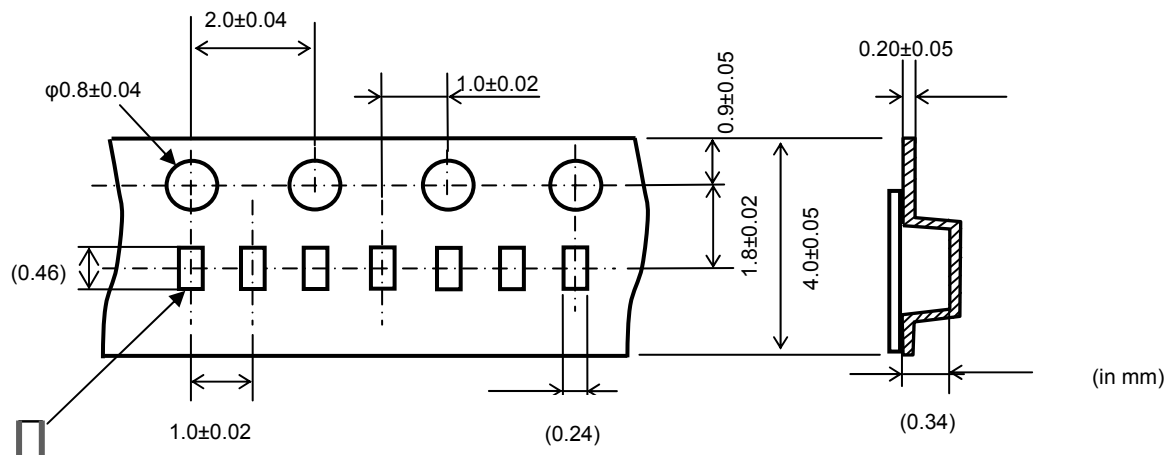
9. Environmental Performance

It shall be soldered on the substrate.

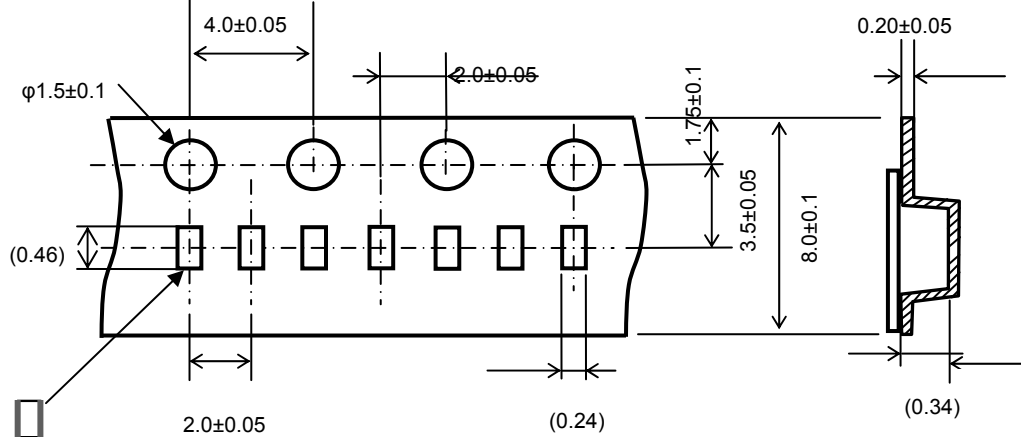
| No. | Item | Specification | Test Method |
|-----|-------------------|---|--|
| 9.1 | Heat Resistance | Appearance: No damage Inductance Change: within ±10% | Substrate: Glass-epoxy substrate Temperature: 125°C ± 2°C Time: 1000h (+48h, -0h) Then measured after exposure in the room condition for 24h ± 2h. |
| 9.2 | Cold Resistance | | Substrate: Glass-epoxy substrate Temperature: -55°C ± 3°C Time: 1000 h (+48h, -0h) Then measured after exposure in the room condition for 24h ± 2h. |
| 9.3 | Humidity | | Substrate: Glass-epoxy substrate Temperature: 40°C ± 2°C Humidity: 90%(RH) to 95%(RH) Time: 1000 h (+48h, -0h) Then measured after exposure in the room condition for 24h ± 2h. |
| 9.4 | Temperature Cycle | | Substrate: Glass-epoxy substrate 1 cycle: 1 step: -55°C ± 2°C / 30min ± 3 min 2 step: Ordinary temp. / 10~15 min 3 step: 125°C ± 2°C / 30 ± 3 min 4 step: Ordinary temp. / 10~15 min Total of 10 cycles Then measured after exposure in the room condition for 24h ± 2h. |

10.Specification of Packaging**10.1 Appearance and Dimensions**

【4mm-wide / plastic tape】



【8mm-wide / plastic tape】



Dimension of the Cavity is measured at the bottom side.

10.2 Specification of Taping

【4mm-wide / plastic tape】

- (1) Packing quantity (standard quantity)
30,000 pcs. / reel
- (2) Packing Method
Products shall be packed in the each embossed cavity of plastic tape and sealed by cover tape.
- (3) Sprocket hole
The sprocket holes are to the right as the tape is pulled toward the user.
- (4) Spliced point
Plastic tape and Cover tape has no spliced point.
- (5) Missing components number
Missing components number within 0.1 % of the number per reel or 1 pc. , whichever is greater, and are not continuous. The Specified quantity per reel is kept.

【 8 mm-wide / plastic tape】

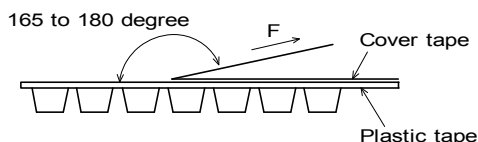
- (1) Packing quantity (standard quantity)
15,000 pcs. / reel
- (2) Packing Method
Products shall be packed in the each embossed cavity of plastic tape and sealed by cover tape.
- (3) Sprocket hole
The sprocket holes are to the right as the tape is pulled toward the user.
- (4) Spliced point
Plastic tape and Cover tape has no spliced point.
- (5) Missing components number
Missing components number within 0.1 % of the number per reel or 1 pc. , whichever is greater, and are not continuous. The Specified quantity per reel is kept.

10.3 Pull Strength

| | |
|------------|--------|
| Cover tape | 5N min |
|------------|--------|

10.4 Peeling off force of cover tape

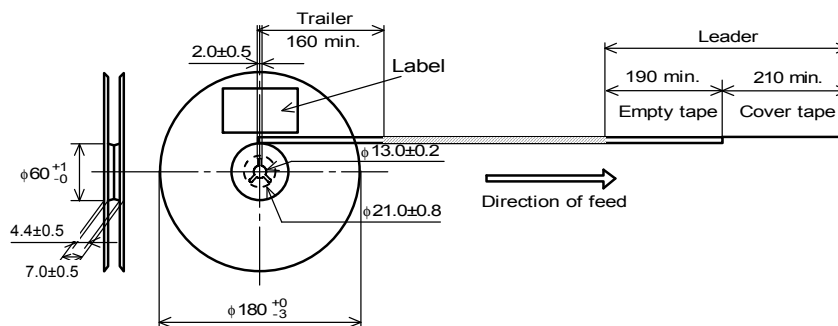
| | |
|----------------------|--|
| Speed of Peeling off | 300mm/min |
| Peeling off force | 0.1N to 0.6N (minimum value is typical) |



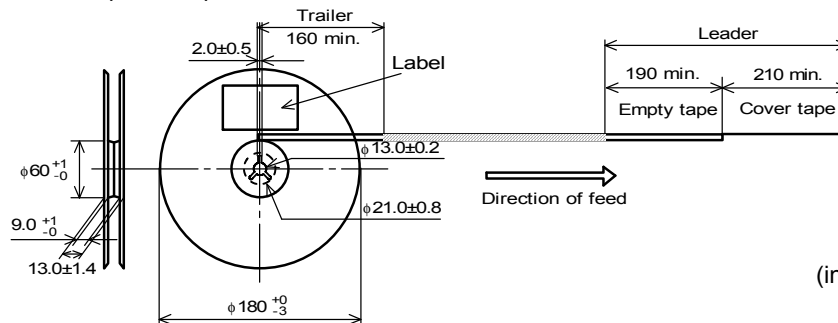
10.5 Dimensions of Leader-tape, Trailer and Reel

There shall be leader-tape (top tape and empty tape) and trailer-tape (empty tape) as follows.

【4mm-wide / plastic tape】



【8mm-wide / plastic tape】

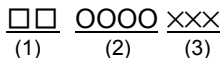


(in mm)

10.6 Marking for reel

Customer part number, MURATA part number, Inspection number(*1), RoHS Marking(*2), Quantity etc ...

*1) <Expression of Inspection No.>



(1) Factory Code

(2) Date

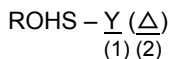
(3) Serial No.

First digit : Year / Last digit of year

Second digit : Month / Jan. to Sep. → 1 to 9, Oct. to Dec. → O,N,D

Third, Fourth digit : Day

*2) <Expression of RoHS Marking >



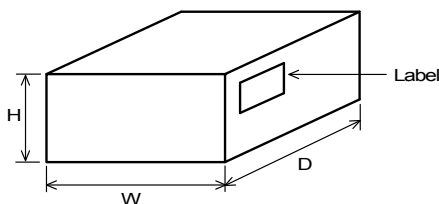
(1) RoHS regulation conformity parts.

(2) MURATA classification number

10.7 Marking for Outside package (corrugated paper box)

Customer name, Purchasing order number, Customer part number, MURATA part number, RoHS Marking (*2), Quantity, etc ...

10.8 Specification of Outer Case



| Outer Case Dimensions (mm) | | | Standard Reel Quantity in Outer Case (Reel) |
|----------------------------|-----|----|---|
| W | D | H | |
| 186 | 186 | 93 | 5(8mm-wide / plastic tape) |
| | | | 10(4mm-wide / plastic tape) |

* Above Outer Case size is typical. It depends on a quantity of an order.

11. ⚠ Caution

Limitation of Applications

Please contact us before using our products for the applications listed below which require especially high reliability for the prevention of defects which might directly cause damage to the third party's life, body or property.

- | | |
|-----------------------------------|--|
| (1) Aircraft equipment | (6) Transportation equipment (vehicles, trains, ships, etc.) |
| (2) Aerospace equipment | (7) Traffic signal equipment |
| (3) Undersea equipment | (8) Disaster prevention / crime prevention equipment |
| (4) Power plant control equipment | (9) Data-processing equipment |
| (5) Medical equipment | (10) Applications of similar complexity and /or reliability requirements to the applications listed in the above |

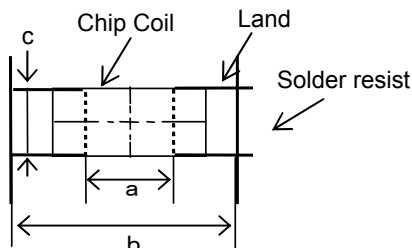
12. Notice

Products can only be soldered with reflow.

This product is designed for solder mounting.

Please consult us in advance for applying other mounting method such as conductive adhesive.

12.1 Land pattern designing



| | |
|---|------|
| a | 0.20 |
| b | 0.56 |
| c | 0.16 |

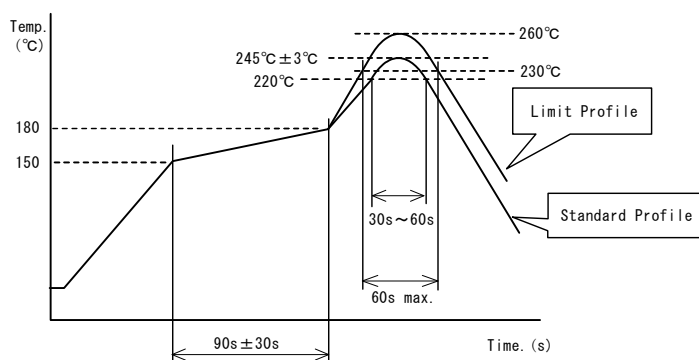
(in mm)

12.2 Flux, Solder

- Use rosin-based flux.
Don't use highly acidic flux with halide content exceeding 0.2(wt)% (chlorine conversion value).
Don't use water-soluble flux.
- Use Sn-3.0Ag-0.5Cu solder.
- Standard thickness of solder paste : $50\ \mu\text{m} \sim 65\ \mu\text{m}$.

12.3 Reflow soldering conditions

- Pre-heating should be in such a way that the temperature difference between solder and product surface is limited to 150°C max. Cooling into solvent after soldering also should be in such a way that the temperature difference is limited to 100°C max. Insufficient pre-heating may cause cracks on the product, resulting in the deterioration of products quality.
- Standard soldering profile and the limit soldering profile is as follows.
The excessive limit soldering conditions may cause leaching of the electrode and / or resulting in the deterioration of product quality.
- Reflow soldering profile



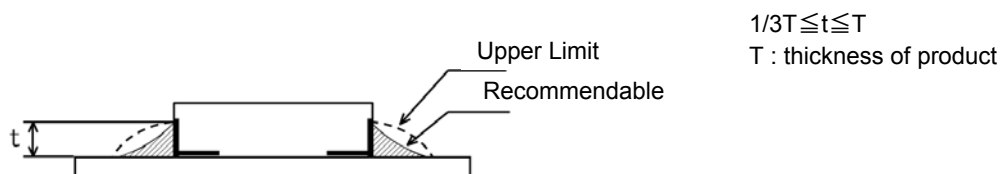
| | Standard Profile | Limit Profile |
|------------------|---------------------------|-----------------------|
| Pre-heating | 150°C ~ 180°C , 90s ± 30s | |
| Heating | above 220°C, 30s ~ 60s | above 230°C, 60s max. |
| Peak temperature | 245°C ± 3°C | 260°C, 10s |
| Cycle of reflow | 2 times | |

12.4 Reworking with soldering iron

Reworking with soldering iron is disapproved.

12.5 Solder Volume

- Solder shall be used not to be exceeded the upper limits as shown below.



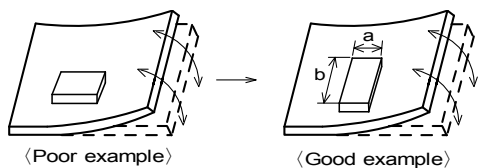
Accordingly increasing the solder volume, the mechanical stress to Chip is also increased. Exceeding solder volume may cause the failure of mechanical or electrical performance and become easy to tilt.

12.6 Attention regarding P.C.B. bending

The following shall be considered when designing and laying out P.C.B.'s.

- (1) P.C.B. shall be designed so that products are not subject to the mechanical stress due to warping the board.

[Products direction]



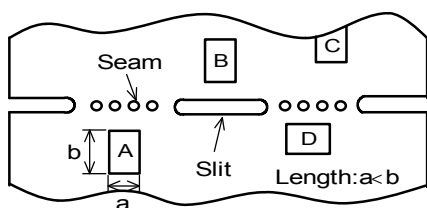
Products shall be located in the sideways direction (Length: $a < b$) to the mechanical stress.

- (2) Components location on P.C.B. separation.

It is effective to implement the following measures, to reduce stress in separating the board.

It is best to implement all of the following three measures; however, implement as many measures as possible to reduce stress.

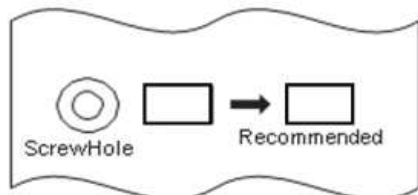
| Contents of Measures | Stress Level |
|--|--------------|
| (1) Turn the mounting direction of the component parallel to the board separation surface. | $A > D^{*1}$ |
| (2) Add slits in the board separation part. | $A > B$ |
| (3) Keep the mounting position of the component away from the board separation surface. | $A > C$ |



*1 $A > D$ is valid when stress is added vertically to the perforation as with Hand Separation.
If a Cutting Disc is used, stress will be diagonal to the PCB, therefore $A > D$ is invalid.

- (3) Mounting Components Near Screw Holes

When a component is mounted near a screw hole, it may be affected by the board deflection that occurs during the tightening of the screw. Mount the capacitor in a position as far away from the screw holes as possible.



12.7 Cleaning Conditions

Products shall be cleaned on the following conditions.

- (1) Cleaning temperature shall be limited to 60°C max.(40°C max for IPA)
- (2) Ultrasonic cleaning shall comply with the following conditions with avoiding the resonance phenomenon at the mounted products and P.C.B.
Power : 20 W / l max. Frequency : 28kHz to 40kHz Time : 5 min max.
- (3) Cleaner
 1. Alcohol type cleaner
Isopropyl alcohol (IPA)
 2. Aqueous agent
PINE ALPHA ST-100S
- (4) There shall be no residual flux and residual cleaner after cleaning.
In the case of using aqueous agent, products shall be dried completely after rinse with de-ionized water in order to remove the cleaner.
- (5) Other cleaning Please contact us.

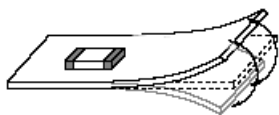
12.8 Resin coating

When products are coated with resin, please contact us in advance.

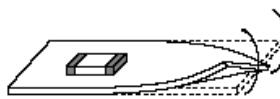
12.9 Handling of a substrate

- (1) There is a possibility of chip cracking caused by PCB expansion/contraction with heat, because stress on a chip is different depending on PCB material and structure.
When the thermal expansion coefficient greatly differs between the board used for mounting and the chip, it will cause cracking of the chip due to the thermal expansion and contraction.
The chip is assumed to be mounted on the PCB of glass-epoxy material, and we don't test with other PCB material which has different thermal expansion coefficient from Glass-epoxy.
When other PCB materials are considered, please be sure to evaluate by yourself.
- (2) After mounting products on a substrate, do not apply any stress to the product caused by bending or twisting to the substrate when cropping the substrate, inserting and removing a connector from the substrate or tightening screw to the substrate.
Excessive mechanical stress may cause cracking in the product.
In case of the mounting on flexible PCB, there is a possibility of chip cracking caused by mechanical stress even from small bending or twisting.
When the flexible PCB is considered, please be sure to evaluate by yourself.

Bending



Twisting

**12.10 Storage and Handling Requirements**

- (1) Storage period
 - Use the products within 12 months after delivered.
 - Solderability should be checked if this period is exceeded.
- (2) Storage conditions
 - Products should be stored in the warehouse on the following conditions.
Temperature : -10°C ~ 40°C
Humidity : 15% to 85% relative humidity No rapid change on temperature and humidity.
 - Products should not be stored on bulk packaging condition to prevent the chipping of the core and the breaking of winding wire caused by the collision between the products.
 - Products should be stored on the pallet for the prevention of the influence from humidity, dust and so on.
 - Products should be stored in the warehouse without heat shock, vibration, direct sunlight and so on.

(3) Handling Condition

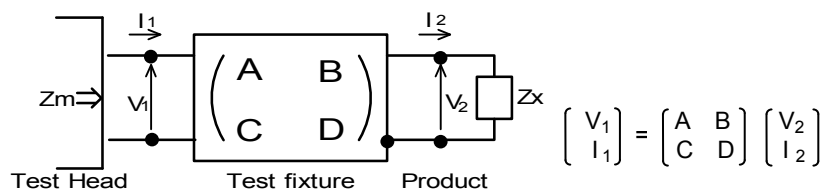
Care should be taken when transporting or handling product to avoid excessive vibration or mechanical shock.

13.⚠ Note

- (1) Please make sure that your product has been evaluated in view of your specifications with our product being mounted to your product.
- (2) You are requested not to use our product deviating from the reference specifications.
- (3) The contents of this reference specification are subject to change without advance notice.
Please approve our product specifications or transact the approval sheet for product specifications before ordering.

<Electrical Performance: Measuring Method of Inductance/Q>

- (1) Residual elements and stray elements of test fixture can be described by F-parameter shown in following.



- (2) The impedance of chip coil Z_x and measured value Z_m can be described by input/output current/voltage.

$$Z_m = \frac{V_1}{I_1}, \quad Z_x = \frac{V_2}{I_2}$$

- (3) Thus, the relation between Z_x and Z_m is following;

$$Z_x = \alpha \frac{Z_m - \beta}{1 - Z_m \Gamma} \quad \text{where, } \begin{aligned} \alpha &= D / A = 1 \\ \beta &= B / D = Z_{sm} - (1 - Y_{om} Z_{sm}) Z_{ss} \\ \Gamma &= C / A = Y_{om} \end{aligned}$$

$\left. \begin{aligned} Z_{sm}: &\text{measured impedance of short chip} \\ Z_{ss}: &\text{residual impedance of short chip (0.110nH)} \\ Y_{om}: &\text{measured admittance when opening the fixture} \end{aligned} \right\}$

- (4) L_x and Q_x shall be calculated with the following equation.

$$L_x = \frac{\text{Im}(Z_x)}{2\pi f}, \quad Q_x = \frac{\text{Im}(Z_x)}{\text{Re}(Z_x)} \quad \begin{aligned} L_x &: \text{Inductance of chip coil} \\ Q_x &: \text{Q of chip coil} \\ f &: \text{Measuring frequency} \end{aligned}$$