



Chipsmall Limited consists of a professional team with an average of over 10 year of expertise in the distribution of electronic components. Based in Hongkong, we have already established firm and mutual-benefit business relationships with customers from,Europe,America and south Asia,supplying obsolete and hard-to-find components to meet their specific needs.

With the principle of “Quality Parts,Customers Priority,Honest Operation,and Considerate Service”,our business mainly focus on the distribution of electronic components. Line cards we deal with include Microchip,ALPS,ROHM,Xilinx,Pulse,ON,Everlight and Freescale. Main products comprise IC,Modules,Potentiometer,IC Socket,Relay,Connector.Our parts cover such applications as commercial,industrial, and automotives areas.

We are looking forward to setting up business relationship with you and hope to provide you with the best service and solution. Let us make a better world for our industry!



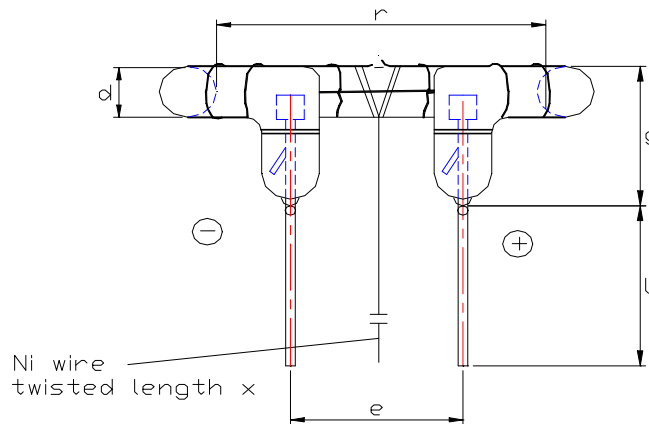
Contact us

Tel: +86-755-8981 8866 Fax: +86-755-8427 6832

Email & Skype: info@chipsmall.com Web: www.chipsmall.com

Address: A1208, Overseas Decoration Building, #122 Zhenhua RD., Futian, Shenzhen, China





Dimension(mm)

e	19+/-1.5	l	40+/-2	d	12+/-1 dia
r	45+/-1.5 dia	g	31+/-2	x	100+/-5

Polarity :

With Colour Corrective Coating : 5700 ± 300 K at $U_a = 350$ V, $C_b = 4000$ μ F, Distance = 2 m

- Remarks:** 1) Envelope material : B2
2) RoHS compliant

Operating Data :

Max. Power Pmax/W		Trigger coil TR	ZS 1052
Nom. Power Pnom / W		Trigger capacitor Cz/μF	0.22
Max. flashenergy Emax/Ws	1000	Min. trigger voltage Uz min/V	175
Nom. flashenergy Enom/Ws	800	Trigger contact S	SCR
Max. anode voltage Uamax/V	650	Flash frequency/Hz	
Nom. anode voltage Uanom/V		Life/Number of flashes/N	*10 000
Min. anode voltage Uamin/V	250	Repetition rate trep/ s	* 3
Nom.flash capacitor CB/ μF	3125	Sec trigger voltage Uz sec / KV	+ 7.0
Light reduction after life/ %		Unloaded	

Remarks : *Life test at repetition rate = 3s, 30 continuously flashes then rest 5 minutes.