



Chipsmall Limited consists of a professional team with an average of over 10 year of expertise in the distribution of electronic components. Based in Hongkong, we have already established firm and mutual-benefit business relationships with customers from,Europe,America and south Asia,supplying obsolete and hard-to-find components to meet their specific needs.

With the principle of "Quality Parts,Customers Priority,Honest Operation,and Considerate Service",our business mainly focus on the distribution of electronic components. Line cards we deal with include Microchip,ALPS,ROHM,Xilinx,Pulse,ON,Everlight and Freescale. Main products comprise IC,Modules,Potentiometer,IC Socket,Relay,Connector.Our parts cover such applications as commercial,industrial, and automotives areas.

We are looking forward to setting up business relationship with you and hope to provide you with the best service and solution. Let us make a better world for our industry!



Contact us

Tel: +86-755-8981 8866 Fax: +86-755-8427 6832

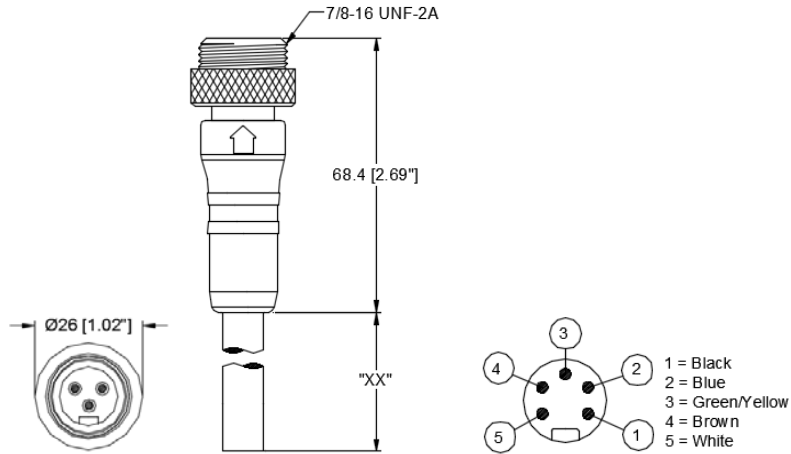
Email & Skype: info@chipsmall.com Web: www.chipsmall.com

Address: A1208, Overseas Decoration Building, #122 Zhenhua RD., Futian, Shenzhen, China

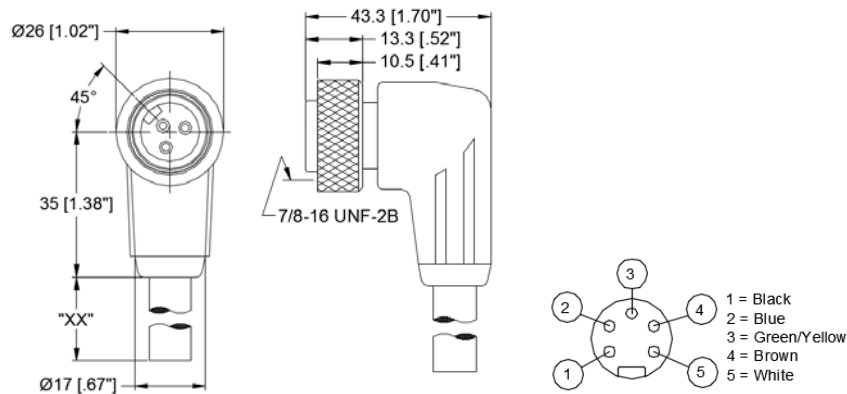


Drawings

End 1



End 2



Technical Data

Cordage Construction		Diameters (In)
Cordage Part Number	109	
Component 1	5 COND	
a) Conductor	18 (41/34) AWG Bare Copper	0.043
b) Insulation	0.010" Wall, Nom. PVC, Semi Rigid	0.063
Insulation Colors	Blue, Black, Green/Yellow, Brown, White	
Jacket	0.037" Wall, Nom. TPE	0.252
a) Color(s)	YELLOW	
Cord Configuration		
End 1	Mini Male 7/8", External Threads	
End 2	Mini Female 7/8" 90 Degree	
Insert	Yellow TPU	

Issue: 1 Issue Date: 7/29/2016 Effective Date: 7/29/2016

Mold Color	Yellow TPU	
Contact	Copper Alloy, Gold over Silver plated	
Coupling Nut	Aluminum, anodized black	
Available Lengths	0.6, 1, 3, 5, 10, 15, 20 Meters	
Applicable Specifications- Cable		
UL	PLTC AWM/STYLE 20327	105°C 105°C / 300 V _{RMS}
CSA International	C(RU) AWM I/II A/B FT4	105°C / 300 V _{RMS}
Applicable Specifications- Cord Set		
UL	ANSI/UL 2238, Cable Assembly Extension RU, UL File Number E485156	
CSA	CSA-C22.2 No. 182.3, Special Use Attachment Plugs, Receptacles and Connectors cRU, UL File Number E485156	
Ingress Protection	IP67	
Environmental Compliance		
CE	All materials used in the manufacture of this part meet the requirements of European Directive 2011/65/EU regarding the restriction of use of certain hazardous substances in electrical and electronic equipment. Exemption used; 6a.	
REACH Regulation (EC 1907/2006)	This product does not contain Substances of Very High Concern (SVHC) listed on the European Union's REACH candidate list in excess of 0.1% mass of the item.	
Physical & Mechanical Properties		
Temperature Range, Cord	-35 to 90°C(static), -15 to 90°C (dynamic)	
Bend Radius	7X Cable Diameter (static), 10X Cable Diameter (dynamic)	
Pull Tension	64 Lbs, Maximum	
Current Rating	5.1 Amps @ 50°C	
Ordering Information		
LR05KW109 YL355	0.6 Meters	
LR05KW109 YL356	1.0 Meters	
LR05KW109 YL357	3.0 Meters	
LR05KW109 YL358	5.0 Meters	
LR05KW109 YL359	10.0 Meters	
LR05KW109 YL400	15.0 Meters	
LR05KW109 YL401	20.0 Meters	
Standard Package	Each	

Although Alpha Wire ("Alpha") makes every reasonable effort to ensure their accuracy at the time of this publication, information and specifications described herein are subject to error or omission and to change without notice, and the listing of such information and specifications does not ensure product availability. Alpha provides the information and specification herein on an "AS IS" basis, with no representations or warranties, whether express, statutory or implied. In no event will Alpha be liable any damages (including consequential, indirect, incidental, special, punitive, or exemplary damages) whatsoever, even if Alpha has been advised of the possibility of such damages, whether in an action under contract, negligence or any other theory, arising out of or in connection with the use, or inability to use, the information or specification described herein.