



Chipsmall Limited consists of a professional team with an average of over 10 year of expertise in the distribution of electronic components. Based in Hongkong, we have already established firm and mutual-benefit business relationships with customers from,Europe,America and south Asia,supplying obsolete and hard-to-find components to meet their specific needs.

With the principle of "Quality Parts,Customers Priority,Honest Operation,and Considerate Service",our business mainly focus on the distribution of electronic components. Line cards we deal with include Microchip,ALPS,ROHM,Xilinx,Pulse,ON,Everlight and Freescale. Main products comprise IC,Modules,Potentiometer,IC Socket,Relay,Connector.Our parts cover such applications as commercial,industrial, and automotives areas.

We are looking forward to setting up business relationship with you and hope to provide you with the best service and solution. Let us make a better world for our industry!



Contact us

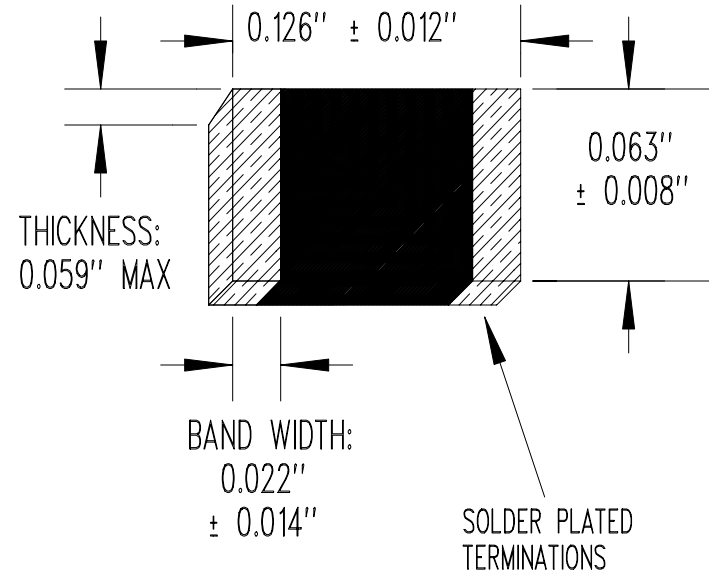
Tel: +86-755-8981 8866 Fax: +86-755-8427 6832

Email & Skype: info@chipsmall.com Web: www.chipsmall.com

Address: A1208, Overseas Decoration Building, #122 Zhenhua RD., Futian, Shenzhen, China



RESISTANCE/TEMPERATURE TABLE			
TEMP (°C)	RESIS (Ω)	TEMP (°C)	RESIS (Ω)
-40	1,027,194	45	13,051
-35	738,062	50	10,752
-30	536,659	55	8,905
-25	394,612	60	7,412
-20	293,248	65	6,199
-15	220,110	70	5,208
-10	166,781	75	4,395
-5	127,509	80	3,725
0	98,315	85	3,170
5	76,418	90	2,709
10	59,854	95	2,324
15	47,222	100	2,001
20	37,515	105	1,729
25	30,000	110	1,500
30	24,142	115	1,305
35	19,551	120	1,139
40	15,928	125	996.7



RESISTANCE @ +25°C = 30,000 Ω ± 5%
 BETA "β" (+25 TO +85°C) = 4,000°K NOMINAL
 POWER RATING = 320 mW
 OPERATING TEMPERATURE RANGE = -40 TO +125°C

SEE MANUFACTURING SPECIFICATION (LAYER 1)

"A"	POWER RATING WAS 400mW,LENGTH TOL.WAS ±0.008",MAX THICK WAS 0.050"	10/03/17	DN
NONE	RELEASE TO PRODUCTION	03/16/04	DD
REV	REVISION RECORD	DATE	APP

SCALE NONE	U.S. SENSOR CORP. 1832 W. COLL INS AVE. ORANGE, CA. 92867 714-639-1000 www.ussensor.com THERMISTOR, NTC CHIP P/N LR303K0J
DRAWN BY DAN DANKERT	
DATE 03/16/04	
REV. "A"	
LAYER 0 OF 2	