



Chipsmall Limited consists of a professional team with an average of over 10 year of expertise in the distribution of electronic components. Based in Hongkong, we have already established firm and mutual-benefit business relationships with customers from,Europe,America and south Asia,supplying obsolete and hard-to-find components to meet their specific needs.

With the principle of “Quality Parts,Customers Priority,Honest Operation,and Considerate Service”,our business mainly focus on the distribution of electronic components. Line cards we deal with include Microchip,ALPS,ROHM,Xilinx,Pulse,ON,Everlight and Freescale. Main products comprise IC,Modules,Potentiometer,IC Socket,Relay,Connector.Our parts cover such applications as commercial,industrial, and automotives areas.

We are looking forward to setting up business relationship with you and hope to provide you with the best service and solution. Let us make a better world for our industry!



Contact us

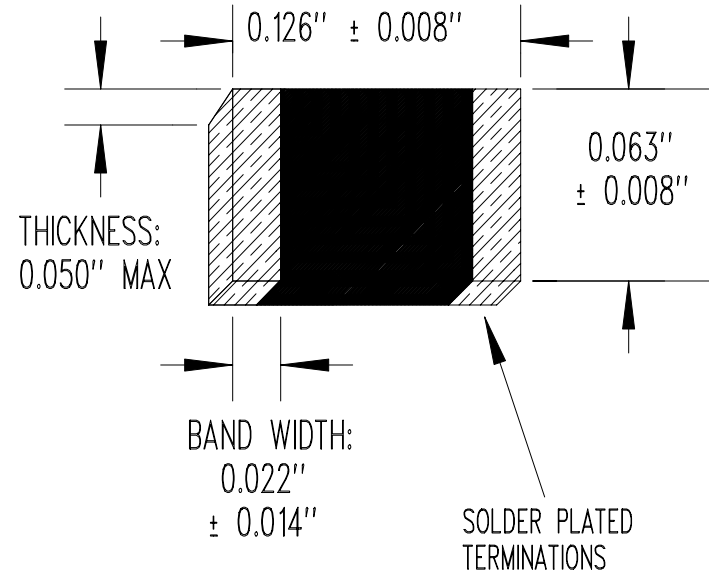
Tel: +86-755-8981 8866 Fax: +86-755-8427 6832

Email & Skype: info@chipsmall.com Web: www.chipsmall.com

Address: A1208, Overseas Decoration Building, #122 Zhenhua RD., Futian, Shenzhen, China



RESISTANCE/TEMPERATURE TABLE			
TEMP (°C)	RESIS (Ω)	TEMP (°C)	RESIS (Ω)
-40	20,231,925	45	203,932
-35	14,414,259	50	165,287
-30	10,382,098	55	134,659
-25	7,555,371	60	110,251
-20	5,552,185	65	90,696
-15	4,118,005	70	74,951
-10	3,081,187	75	62,211
-5	2,324,691	80	51,854
0	1,767,868	85	43,397
5	1,354,581	90	36,488
10	1,045,383	95	30,800
15	812,299	100	26,096
20	635,316	105	22,191
25	500,000	110	18,936
30	396,006	115	16,213
35	315,580	120	13,926
40	252,973	125	12,000



RESISTANCE @ +25°C = 500,000 Ω ± 5%
 BETA "β" (+25 TO +85°C) = 4,350°K NOMINAL
 POWER RATING = 400 mW/°C
 OPERATING TEMPERATURE RANGE = -40 TO +125°C

SEE MANUFACTURING SPECIFICATION (LAYER 1)

NONE	RELEASE TO PRODUCTION	09/29/04	DD
REV	REVISION RECORD	DATE	APP

SCALE	NONE	U.S. SENSOR CORP. 1832 W. COLL INS AVE. ORANGE, CA. 92867 714-639-1000 www.ussensor.com
DRAWN BY	DAN DANKERT	
DATE	09/29/04	
REV.	NONE	
LAYER	0 OF 2	
		THERMISTOR, NTC CHIP
		P/N LR504VOJ