



Chipsmall Limited consists of a professional team with an average of over 10 year of expertise in the distribution of electronic components. Based in Hongkong, we have already established firm and mutual-benefit business relationships with customers from,Europe,America and south Asia,supplying obsolete and hard-to-find components to meet their specific needs.

With the principle of "Quality Parts,Customers Priority,Honest Operation,and Considerate Service",our business mainly focus on the distribution of electronic components. Line cards we deal with include Microchip,ALPS,ROHM,Xilinx,Pulse,ON,Everlight and Freescale. Main products comprise IC,Modules,Potentiometer,IC Socket,Relay,Connector.Our parts cover such applications as commercial,industrial, and automotives areas.

We are looking forward to setting up business relationship with you and hope to provide you with the best service and solution. Let us make a better world for our industry!



Contact us

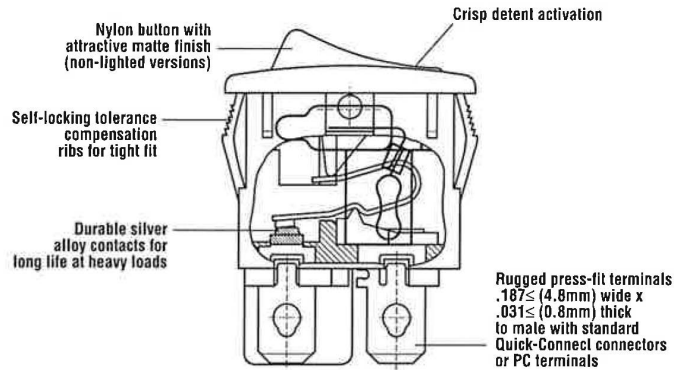
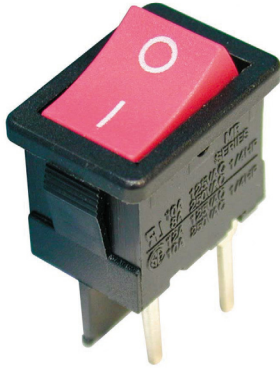
Tel: +86-755-8981 8866 Fax: +86-755-8427 6832

Email & Skype: info@chipsmall.com Web: www.chipsmall.com

Address: A1208, Overseas Decoration Building, #122 Zhenhua RD., Futian, Shenzhen, China



Double-Pole Rocker Switch LR Series



Features

- Single-throw and double-throw options
- Lighted and non-lighted options
- Industry standard mounting dimensions
- Mechanical life: min. 100,000 operations

Electrical Ratings				
Switch Series	EN61058 Rating	UL1054 Rating	Electrical Life at Rated Load	
			According to VDE (Min. Operations)	According to UL (Min. Operations)
LR	10(4)A, 250V~T125/55	10A 125VAC 1/4HP, 8A 250VAC; 1/4HP	10,000	6,000

Electrical Specifications		Material Specifications	
Ratings:	10A 125VAC 1/4HP 8A 250VAC 1/4HP (cULus) 10(4)A, 250V~ T125/55 (VDE)	Actuator: (non-lighted) (lighted)	Nylon 66 94V-2 Polycarbonate
Dielectric Strength:	1000VAC for 1 minute	Base:	Nylon 66 94V-2
Insulation Resistance:	100M ohms min at 500VDC	Spring:	Steel Wire
Initial Contact Resistance:	0.020 ohms max	Contacts:	Silver Alloy
Temperature Range:	-20°C to + 65°C	Movable Arm:	Copper Alloy
		Terminals:	Tin-Plated Copper Alloy

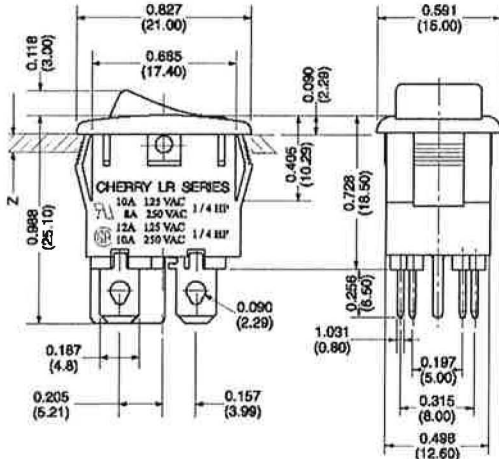


RoHS Compliant
UL File No: E23301

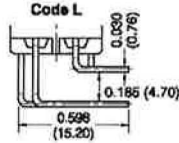
Specifications subject to change without notice.

Double-Pole Rocker Switch LR Series

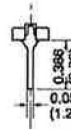
Dimensions (inches)



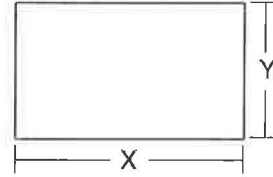
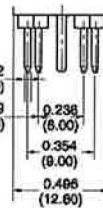
Terminals



Code M



Code G



Z = Panel Thickness

Recommended Panel Cut-Out Dimensions

inches (mm)

Dim. Z	Dim. X	Dim. Y
0.030 to 0.049 (0.75 to 1.25)	0.752 (19.10)	0.508 (12.90)
0.049 to 0.079 (1.25 to 2.00)	0.760 (19.30)	0.508 (12.90)
0.079 to 0.118 (2.00 to 3.00)	0.775 (19.69)	0.508 (12.90)

Ordering Information

LR Series	Code 2 Circuitry Single Pole	Code 2 Switch Function On - Off	Code 2 Actuator Type Curved	Code B Housing Color Black	Code N Lighted Non-Lighted
Code A Contact Rating 10A 125VAC 1/4 HP, 8A 250VAC 1/4HP cULus, 10(4)A 250V ~ T125/55 VDE	Code L Terminal type inches (mm) 0.187 (4.8) QC	Code D Actuator Marking	Code A Actuator Color Amber	Code W White	Code L Lighted (Bulb 125VAC)
	Code M Terminal type inches (mm) 0.187 (4.8) QC	Code E Actuator Marking	Code G Green	Code Y Grey	Code E Lighted (Bulb 250VAC)
	Code B Terminal type inches (mm) 0.187 (4.8) QC	Code F Actuator Marking	Code R Red	Code E Charcoal Grey	Code F Lighted (5VDC Incandescent)
	Code L Terminal type inches (mm) 0.187 (4.8) QC	Code G Actuator Marking	Code W White		Code G Lighted (6VDC Incandescent)
	Code M Terminal type inches (mm) 0.187 (4.8) QC		Code Y Grey		Code H Lighted (12VDC Incandescent)
	Code B Terminal type inches (mm) 0.187 (4.8) QC		Code E Charcoal Grey		Code S Splashproof Rocker Boot

Examples of Common Part Numbers and Descriptions inches (mm)

Part Number	Circuitry	Switch Function	Terminal Type	Actuator/Housing Color	Legend Marking
LRA2H2FBBNN		On - Off	0.187 (4.8) Quick-Connect	Black/Black	
LRA3H2FBBNN		On - Off	0.187 (4.8) Quick-Connect	Black/Black	
LRA2H2BBBNN		On - Off	0.187 (4.8) Quick-Connect	Black/Black	
LRA3H2BBBNN		On - Off	0.187 (4.8) Quick-Connect	Black/Black	
LRA2H2BBRLN		On - Off/Lighted	0.187 (4.8) Quick-Connect	Red/Black	
LRA3H2BBRLN		On - Off/Lighted	0.187 (4.8) Quick-Connect	Red/Black	

Boot #0015-0644

Contact

Call, fax or visit our Website for more information.

ZF Electronics Corporation
11200 88th Avenue
Pleasant Prairie, WI 53158

Phone: 262.942.6500
Web: www.cherrycorp.com
Email: cep_sales@zf.com
Fax: 262.942.6566

The manufacturer accepts no liability for errors or non-availability, and reserves the right to change specifications without prior notice.

Technical data relates to product specifications only. Features may differ from those described. Only drawings combined with product specifications shall be deemed binding.

© 2007 ZF Electronics Corporation

Last Updated: 10/01/12

