



Chipsmall Limited consists of a professional team with an average of over 10 year of expertise in the distribution of electronic components. Based in Hongkong, we have already established firm and mutual-benefit business relationships with customers from,Europe,America and south Asia,supplying obsolete and hard-to-find components to meet their specific needs.

With the principle of “Quality Parts,Customers Priority,Honest Operation,and Considerate Service”,our business mainly focus on the distribution of electronic components. Line cards we deal with include Microchip,ALPS,ROHM,Xilinx,Pulse,ON,Everlight and Freescale. Main products comprise IC,Modules,Potentiometer,IC Socket,Relay,Connector.Our parts cover such applications as commercial,industrial, and automotives areas.

We are looking forward to setting up business relationship with you and hope to provide you with the best service and solution. Let us make a better world for our industry!



Contact us

Tel: +86-755-8981 8866 Fax: +86-755-8427 6832

Email & Skype: info@chipsmall.com Web: www.chipsmall.com

Address: A1208, Overseas Decoration Building, #122 Zhenhua RD., Futian, Shenzhen, China



SPECIFICATIONS:

Analog I/Os: (See Note 1)

0 - 5 V DC output, 8 - 30 V DC input, 35 mA max.

0.5 - 4.5 V DC output, 8 - 30 V DC input, 35 mA max.

0 - 10 V DC output, 12 - 30 V DC input, 35 mA max.

4 - 20 mA DC output, 18 - 30 V DC input, 60 mA max. (75 C max.)

Measuring Ranges: See range table

Zero and Full Scale: SenSet Adjustable

Linearity Error: ±0.15% of FSO (Full Span Output) typical, ±0.25% max.

Resolution: 0.025% of FSO

Update Rate: 300 Hz nominal

Operating Temperature Range: -20 to 85 C (-40 to 105 C extended temp.)

Temperature coefficient: ≤±0.015% of FSO/K

Humidity: 95% RH non-condensing

Vibration: 5 - 20 Hz, 0.5 inch p-p; 20 - 2000 Hz, 4.2 g p-p

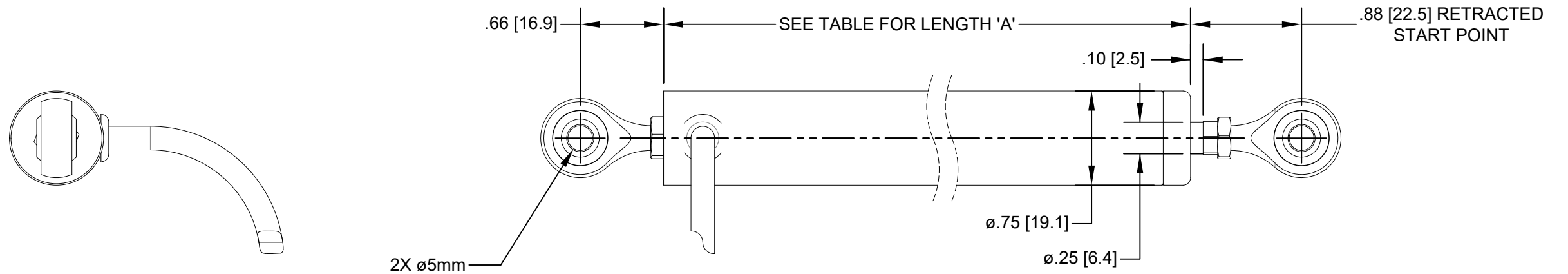
Shock: 1000 g, 11 msec.

Sealing: IEC IP-67

Note 1: Analog output is maximum with rod extended;
see technical data sheet to specify reversed output.

Specifications are subject to change without notice.

REVISIONS			
REV.	DESCRIPTION	DATE	APPROVED
A	Edit Unit Length table dims by adding .25 to Body Length, and edit Connection table	08-12-14	EH
B	Update Specifications	02-06-15	EH
C	Edited Retracted Start Point	10-21-15	EH
D	Unit Length Table & Bushing Housing modified	03-25-16	EH



UNIT LENGTH TABLE

NOMINAL RANGE	'A' BODYLENGTH
1.0 inch [25 mm]	3.74 inches [95.0 mm]
2.0 inches [50 mm]	4.74 inches [120.4 mm]
3.0 inches [75 mm]	5.74 inches [145.8 mm]
4.0 inches [100 mm]	6.74 inches [171.2 mm]
6.0 inches [150 mm]	8.74 inches [222.0 mm]
8.0 inches [200 mm]	10.74 inches [272.8 mm]

LRX-19-R Connections Table

Function	Cable Color
DC Power Input	Red
Ground	Black
Analog output	Green
SenSet™	White

UNLESS OTHERWISE SPECIFIED:		CONTRACT NO.	
1. DO NOT SCALE DRAWING		--	
2. DIMENSIONS ARE IN INCHES			
3. INTERPRET DIM/TOL PER ANSI Y14.5M-1994			
4. DEBURR/BREAK SHARP EDGES		DRAWN BY: G E Miller	
5. DIMS ARE BEFORE FINISH		DATE: 06-21-14	
6. (DATA) FOR REFERENCE ONLY		ENGINEER: Ed Herceg	
TOLERANCES		CHECKED BY: Ed Herceg	
DECIMAL: .XX ±.010	ANGULAR: ±.5°	DATE: 06-21-14	
XXX ±.005		QA: --	
THIRD ANGLE PROJECTION		MFG: --	
APPROVED BY: --		FILENAME: 3000-0019-XX_LR-19-R Series LVIT Outline	

ALLIANCE SENSORS GROUP
A DIVISION OF H. G. SCHAEVITZ LLC
Moorestown, New Jersey USA alliancesensors.com

LRX-19-R Series LVIT Outline

SIZE: B	CAGE CODE: N/A	DWG. NO.: 3000-0019-XX	REV: D
SCALE: 1:1	RELEASE DATE: --	SHEET 1 OF 1	

DWG. NO. 3000-0019-XX REV D LAST 03-25-16 BY: SP