



Chipsmall Limited consists of a professional team with an average of over 10 year of expertise in the distribution of electronic components. Based in Hongkong, we have already established firm and mutual-benefit business relationships with customers from,Europe,America and south Asia,supplying obsolete and hard-to-find components to meet their specific needs.

With the principle of “Quality Parts,Customers Priority,Honest Operation,and Considerate Service”,our business mainly focus on the distribution of electronic components. Line cards we deal with include Microchip,ALPS,ROHM,Xilinx,Pulse,ON,Everlight and Freescale. Main products comprise IC,Modules,Potentiometer,IC Socket,Relay,Connector.Our parts cover such applications as commercial,industrial, and automotives areas.

We are looking forward to setting up business relationship with you and hope to provide you with the best service and solution. Let us make a better world for our industry!



## Contact us

Tel: +86-755-8981 8866 Fax: +86-755-8427 6832

Email & Skype: info@chipsmall.com Web: www.chipsmall.com

Address: A1208, Overseas Decoration Building, #122 Zhenhua RD., Futian, Shenzhen, China



**SPECIFICATIONS:**

Analog I/Os: (See Note 1)

- 0 - 5 V DC output, 8 - 30 V DC input, 35 mA max.
- 0.5 - 4.5 V DC output, 8 - 30 V DC input, 35 mA max.
- 0 - 10 V DC output, 12 - 30 V DC input, 35 mA max.
- 4 - 20 mA DC output, 18 - 30 V DC input, 60 mA max. (75 C max.)

Measuring Ranges: See range table

Zero and Full Scale: SenSet Adjustable

Linearity Error: ±0.15% of FSO (Full Span Output) typical, ±0.25% max.

Resolution: 0.025% of FSO

Update Rate: 300 Hz nominal

Operating Temperature Range: -20 to 85 C (-40 to 105 C extended temp.)

Temperature coefficient: ≤±0.015% of FSO/K

Humidity: 95% RH non-condensing

Vibration: 5 - 20 Hz, 0.5 inch p-p; 20 - 2000 Hz, 4.2 g p-p

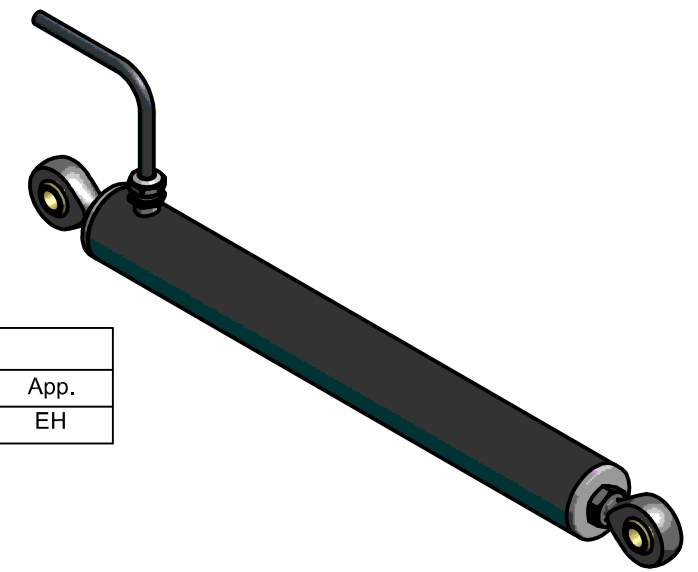
Shock: 1000 g, 11 msec.

Sealing: IEC IP-67

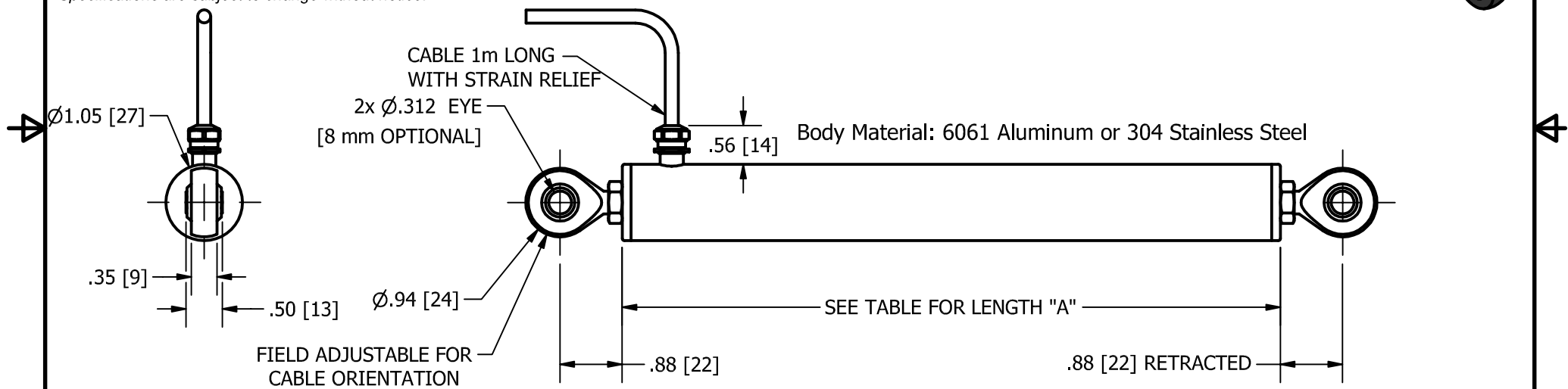
Note 1: Analog output is maximum with rod extended; see technical data sheet to specify reversed output.

Specifications are subject to change without notice.

I/O Function	Cable Color
+ Power Input	Red
Ground	Black
Analog output	Green
SenSet™	White



Rev	Description	Date	App.
A	Edit Specs, add Wire Table	2/5/15	EH



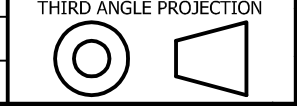
**UNIT LENGTH TABLE**

LINEAR RANGE	"A" BODY LENGTH
2.0 INCHES [50 mm]	5.00 INCHES [127.0 mm]
3.0 INCHES [75 mm]	6.00 INCHES [152.4 mm]
4.0 INCHES [100 mm]	7.00 INCHES [177.8 mm]
6.0 INCHES [150 mm]	9.00 INCHES [228.6 mm]
8.0 INCHES [200 mm]	11.00 INCHES [279.4 mm]
10.0 INCHES [250 mm]	13.00 INCHES [330.2 mm]

- UNLESS OTHERWISE SPECIFIED:
1. DO NOT SCALE DRAWING
  2. DIMENSIONS ARE IN INCHES
  3. INTERPRET PER ANSI Y14.5M-1994
  4. DEBURR/BREAK SHARP EDGES
  5. DIMS ARE BEFORE FINISH
  6. (DATA) FOR REFERENCE ONLY

**TOLERANCES**

DECIMAL	ANGULAR
.XX ±.010	±.5°
.XXX ±.005	



DRAWN G BARRETT 9/6/14 ENGINEER
CHECKED
QA
MFG
APPROVED: XX XXXXXX 9/6/14

**ALLIANCE SENSORS GROUP**  
 A DIVISION OF H. G. SCHAEVITZ LLC  
 MOORESTOWN, NEW JERSEY USA [alliancesensors.com](http://alliancesensors.com)

**LRX-27-R SERIES OUTLINE**

SIZE A	DWG NO 3000-0013-XX	REV A
SCALE NONE	REV_11_20_14	SHEET 1 OF 1