



Chipsmall Limited consists of a professional team with an average of over 10 year of expertise in the distribution of electronic components. Based in Hongkong, we have already established firm and mutual-benefit business relationships with customers from,Europe,America and south Asia,supplying obsolete and hard-to-find components to meet their specific needs.

With the principle of “Quality Parts,Customers Priority,Honest Operation,and Considerate Service”,our business mainly focus on the distribution of electronic components. Line cards we deal with include Microchip,ALPS,ROHM,Xilinx,Pulse,ON,Everlight and Freescale. Main products comprise IC,Modules,Potentiometer,IC Socket,Relay,Connector.Our parts cover such applications as commercial,industrial, and automotives areas.

We are looking forward to setting up business relationship with you and hope to provide you with the best service and solution. Let us make a better world for our industry!



## Contact us

Tel: +86-755-8981 8866 Fax: +86-755-8427 6832

Email & Skype: info@chipsmall.com Web: www.chipsmall.com

Address: A1208, Overseas Decoration Building, #122 Zhenhua RD., Futian, Shenzhen, China





# LRS285200

## High Bay Lighting Kit/ Heatsink Thermal Solution

### High Thermal Performance

#### Features

- Excellent thermal performance – large heatsink surface and lightweight
- High thermal conductivity aluminum alloy
- Thermal coating Technology – thermal radiation enhancement
- Fully mechanical components
- Optional E39/40 Connector



#### Applications

- LED Bay Lighting 160 - 200W

#### Description

The LRS series provides excellent thermal performance and design flexibility for LED lighting applications. The LRS series stamped heatsinks provide lower thermal resistance than traditional extruded, cold forged, and die-cast heatsinks. High aspect ratio fin provides excellent heat transfer capability. Various material finishes are available for enhanced thermal performance.

#### Ordering Information

Model	Finish	Option					
LRS285200	UF	K					
	↓	↓					
	<b>Code</b>	<b>Spec.</b>	<b>Code</b>	<b>Description</b>	<b>Connector</b>	<b>Sleeve</b>	<b>Diffuser</b>
	UF	No Finish	Blank	Heatsink only	NA	NA	NA
	TW	Thermal Coating White	K	Heatsink with Accessories	E39/E40	Long	White
			L		E39/E40	Long	Clear
			M		E39/E40	Short	White
			N		E39/E40	Short	Clear
			R		Ring	Long	White
			S		Ring	Long	Clear
			T		Ring	Short	White
			U		Ring	Short	Clear

**General**

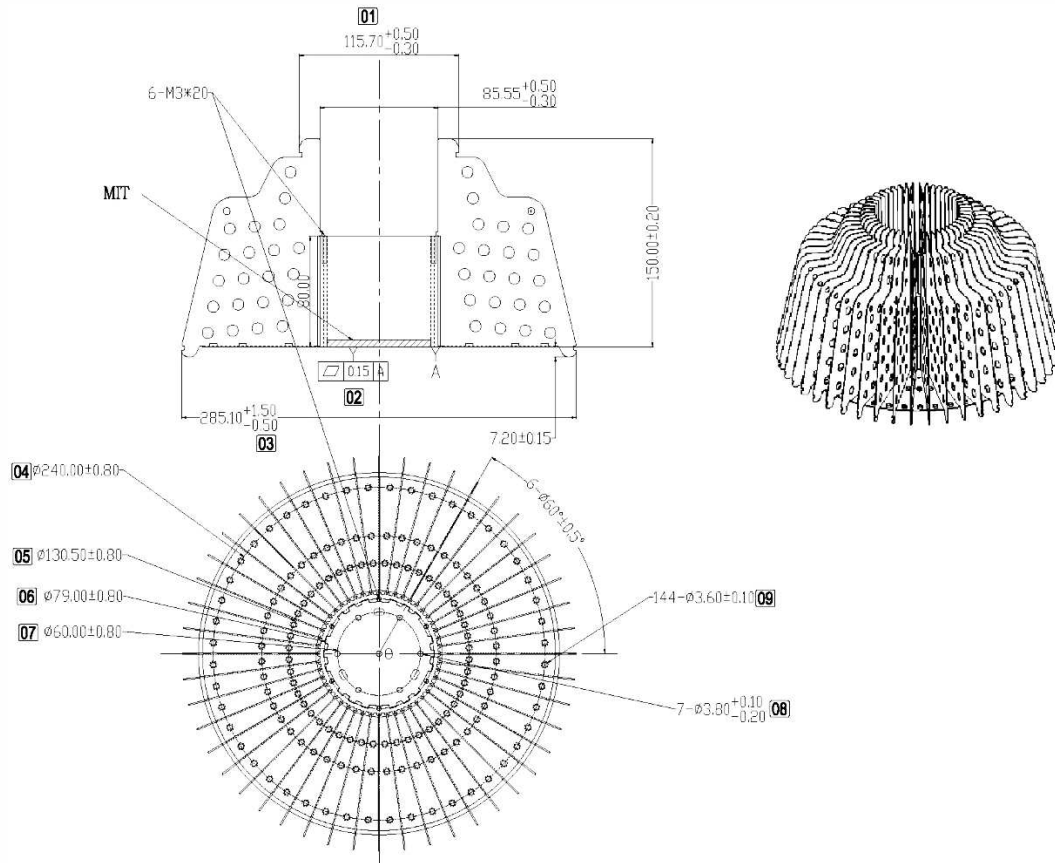
RoHS	Lead-Free. Fully compliant to RoHS Directive 2011/65/EU
Packaging :	Box
Storage Temperature:	-40°C to +150°C

**Performance & Mechanical**

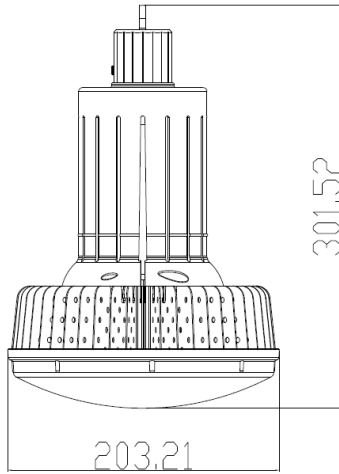
Part Number	*Heat Dissipation	Dimension (mm) D x H	Fin Surface Area (cm <sup>2</sup> )	Weight (kg)	Kit Solution
LRS285200TW	200W	285 x 150	9675	1.4	
LRS285200TWK	200W	292 x 404	9675	2.9	Diffuser, Housing, Connector
LRS285200UF	180W	285 x 150	9675	1.4	
LRS285200UFK	180W	292 x 404	9675	2.9	Diffuser, Housing, Connector

\*Heat Dissipation and Thermal Resistance are based on using discrete LEDs and should be considered for reference only. Actual results may vary due to the LED configuration, the finish chosen, and the environmental conditions.

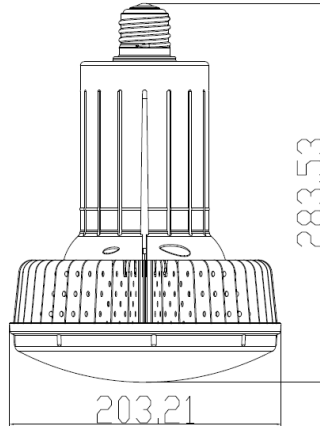
**Mechanical Specifications**



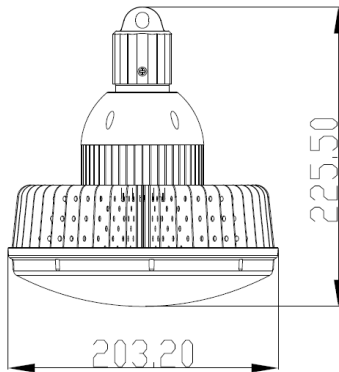
**Mechanical Specifications**



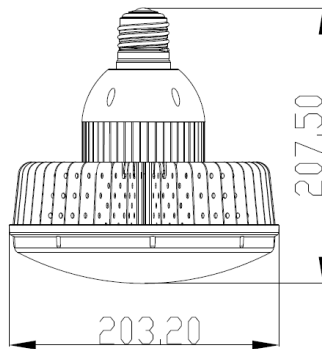
Long Sleeve with Ring



Long Sleeve with E39/40 Connector



Short Sleeve with Ring



Short Sleeve with E39/40 Connector