



Chipsmall Limited consists of a professional team with an average of over 10 year of expertise in the distribution of electronic components. Based in Hongkong, we have already established firm and mutual-benefit business relationships with customers from,Europe,America and south Asia,supplying obsolete and hard-to-find components to meet their specific needs.

With the principle of “Quality Parts,Customers Priority,Honest Operation,and Considerate Service”,our business mainly focus on the distribution of electronic components. Line cards we deal with include Microchip,ALPS,ROHM,Xilinx,Pulse,ON,Everlight and Freescale. Main products comprise IC,Modules,Potentiometer,IC Socket,Relay,Connector.Our parts cover such applications as commercial,industrial, and automotives areas.

We are looking forward to setting up business relationship with you and hope to provide you with the best service and solution. Let us make a better world for our industry!



Contact us

Tel: +86-755-8981 8866 Fax: +86-755-8427 6832

Email & Skype: info@chipsmall.com Web: www.chipsmall.com

Address: A1208, Overseas Decoration Building, #122 Zhenhua RD., Futian, Shenzhen, China



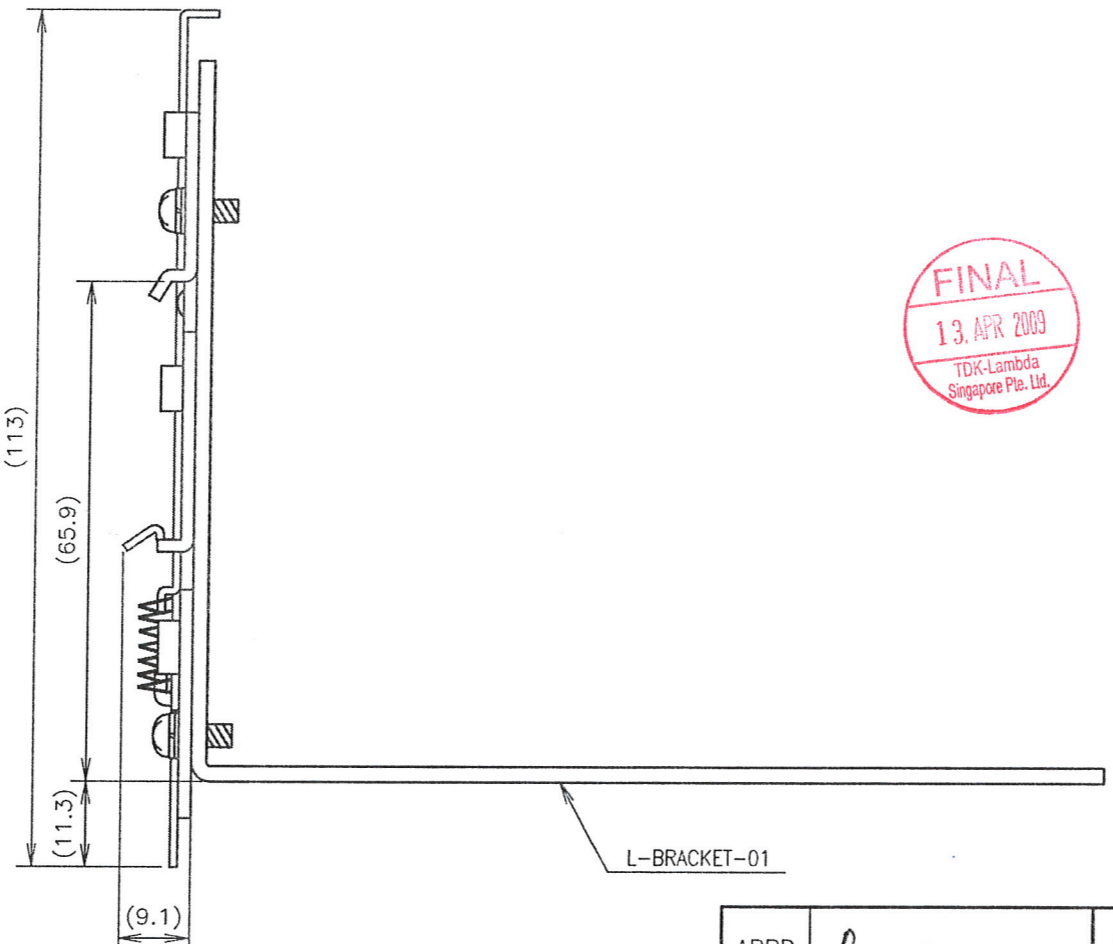
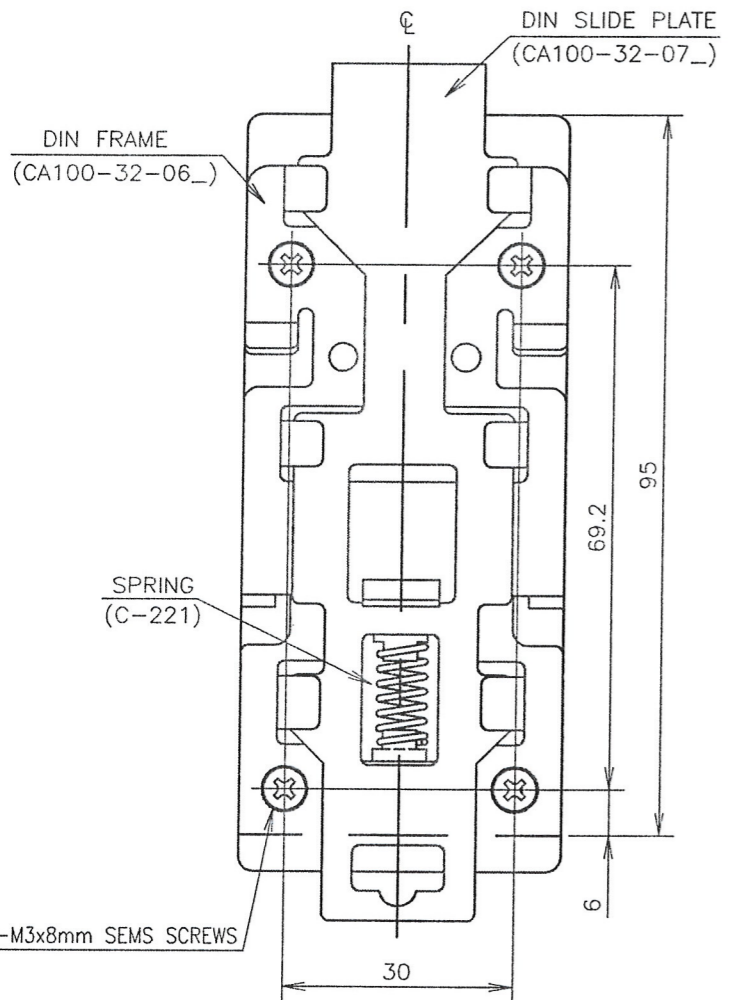
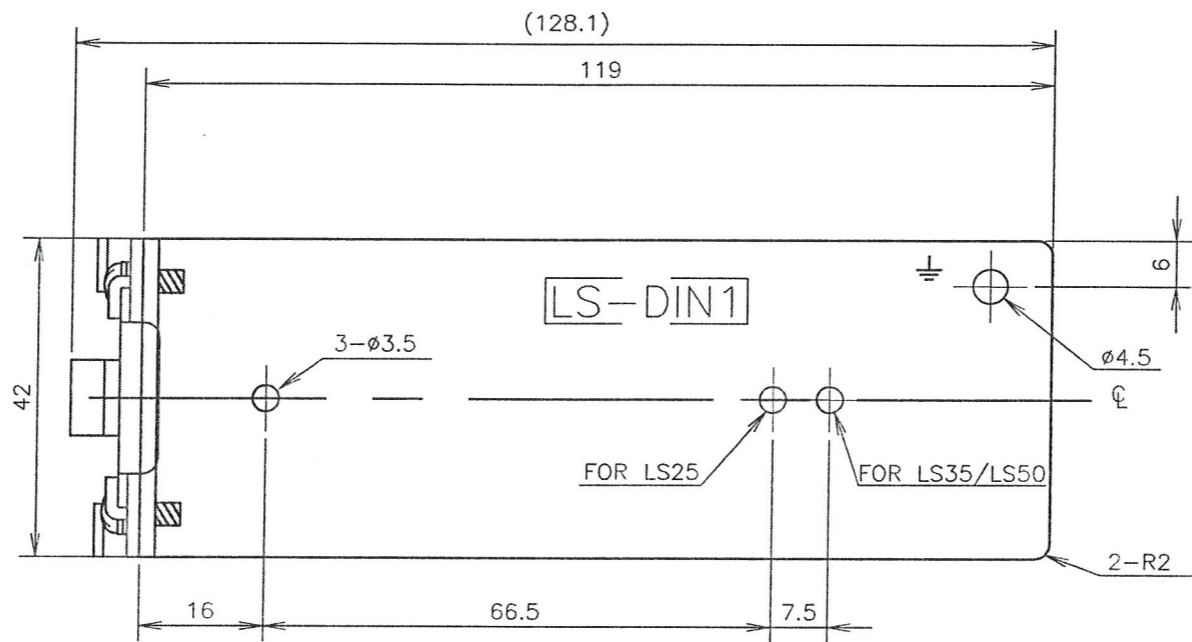
This is uncontrolled copy when without Authorized Mark on the printed drawing. Verification of the latest version shall be conducted by PLM system.

Unless otherwise specified dimensional tolerance as follows:	
DIMENSION (mm)	TOLERANCE ±mm
1-16	0.1
16.1-63	0.2
63.1-250	0.3
250.1-1000	0.5

D	REV	CONTENTS	DATE	ENGR	CHK	APPD
-	-1	NEW RELEASE	9/4/06	DEWIS	ychei	Ramoh

RoHS Compliance

REFER TO TL GROUP GREEN PROCUREMENT GUIDE LINE (DL-EMS-010_).



PARTS LIST

PARTS LIST	CATALOG No.	NET	MANUFACTURE
1 DIN FRAME	CA100-32-06_ (ONWARD CA100-32-06C)	1	T-L
2 DIN SLIDE PLATE	CA100-32-07_ (ONWARD CA100-32-07C)	1	T-L
3 L-BRACKET-01	PA900-00-64_	1	T-L
4 SPRING	C-221	1	KATO SPRING
5 SCREWS	M3x8mm SEMS	4	T-L

FINAL
 13. APR 2009
 TDK-Lambda
 Singapore Pte. Ltd.

APPD	Ramoh	SCALE	1/1	MATERIALS	TITLE	LS-DIN1(LS25/35/50)
CHK	ychei	UNITS	mm	FINISH	DRAWING No.	PA900-00-67 - []
ENGR	DEWIS	ANGLE	3RD ANGLE PROJECTION		PAGE	1/1
TDK-Lambda						

This is uncontrolled copy when without Authorized Mark on the printed drawing. Verification of the latest version shall be conducted by PLM system.

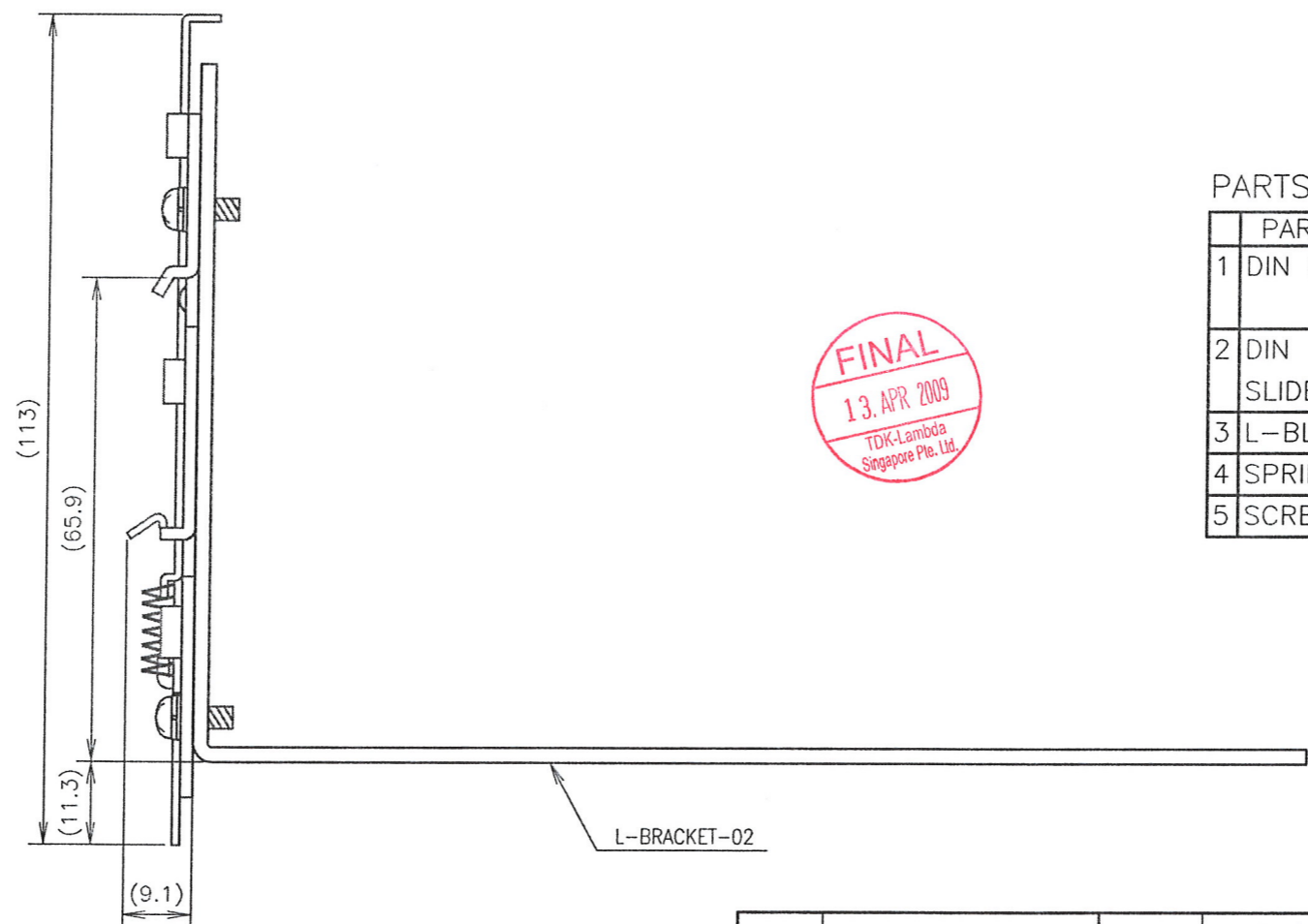
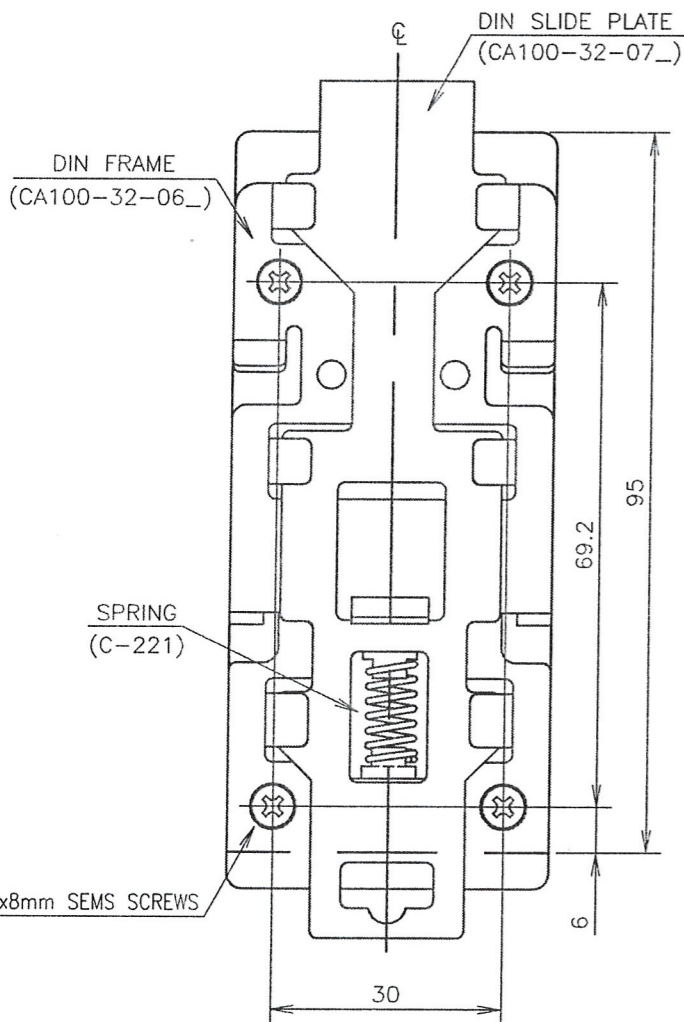
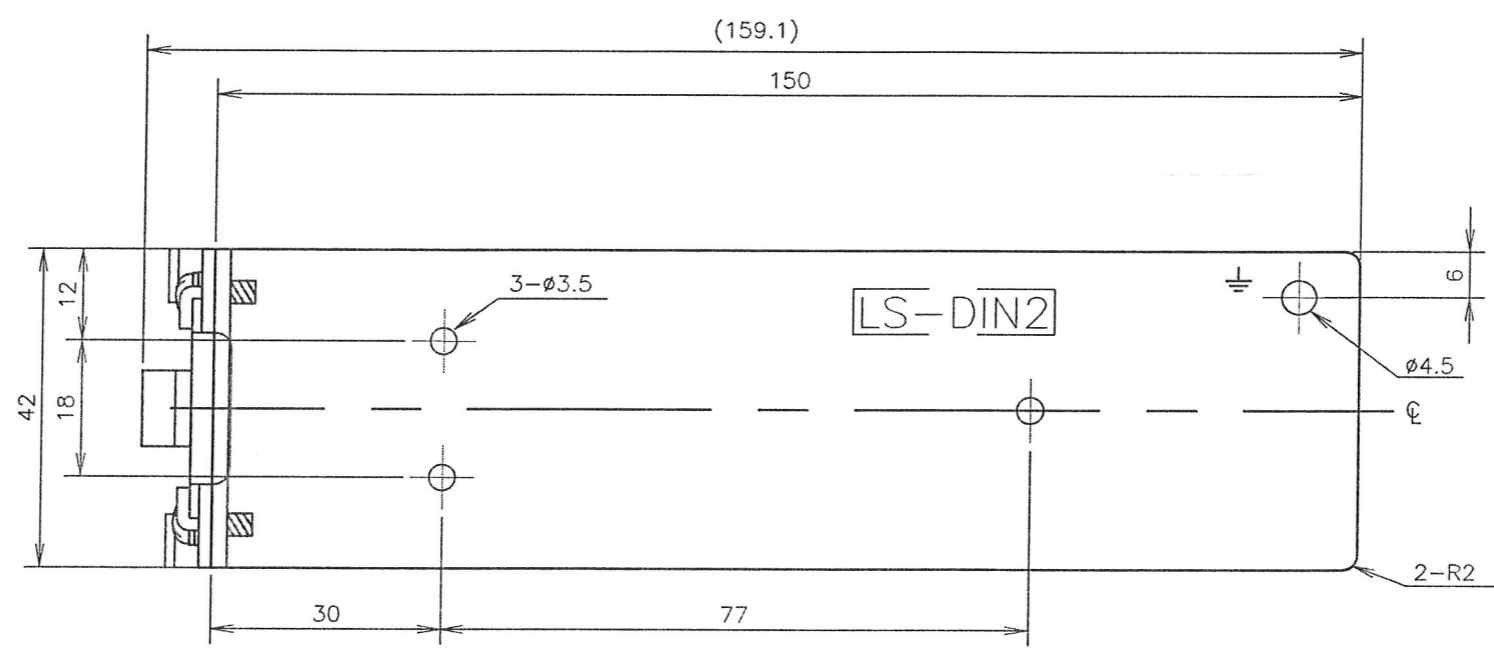
Unless otherwise specified dimensional tolerance as follows:

DIMENSION (mm)	TOLERANCE ±mm
1-16	0.1
16.1-63	0.2
63.1-250	0.3
250.1-1000	0.5

D	REV	CONTENTS	DATE	ENGR	CHK	APPD
-	-1	NEW RELEASE	9/4/09	DEWIS	yehui	Rameth

RoHS Compliance

REFER TO TL GROUP GREEN PROCUREMENT GUIDE LINE (DL-EMS-010_).



PARTS LIST

NO.	PARTS LIST	CATALOG No.	NET	MANUFACTURE
1	DIN FRAME	CA100-32-06_ (ONWARD CA100-32-06C)	1	T-L
2	DIN SLIDE PLATE	CA100-32-07_ (ONWARD CA100-32-07C)	1	T-L
3	L-BRACKET-02	PA900-00-65_	1	T-L
4	SPRING	C-221	1	KATO SPRING
5	SCREWS	M3x8mm SEMS	4	T-L

FINAL
13. APR 2009
TDK-Lambda
Singapore Pte. Ltd.

APPD	Rameth	SCALE	1/1	MATERIALS	TITLE	LS-DIN2(LS75)
CHK	yehui	UNITS	mm	FINISH	DRAWING No.	PA900-00-68 - []
ENGR	DEWIS	ANGLE	3RD ANGLE PROJECTION			
						TDK-Lambda

This is uncontrolled copy when without Authorized Mark on the printed drawing. Verification of the latest version shall be conducted by PLM system.

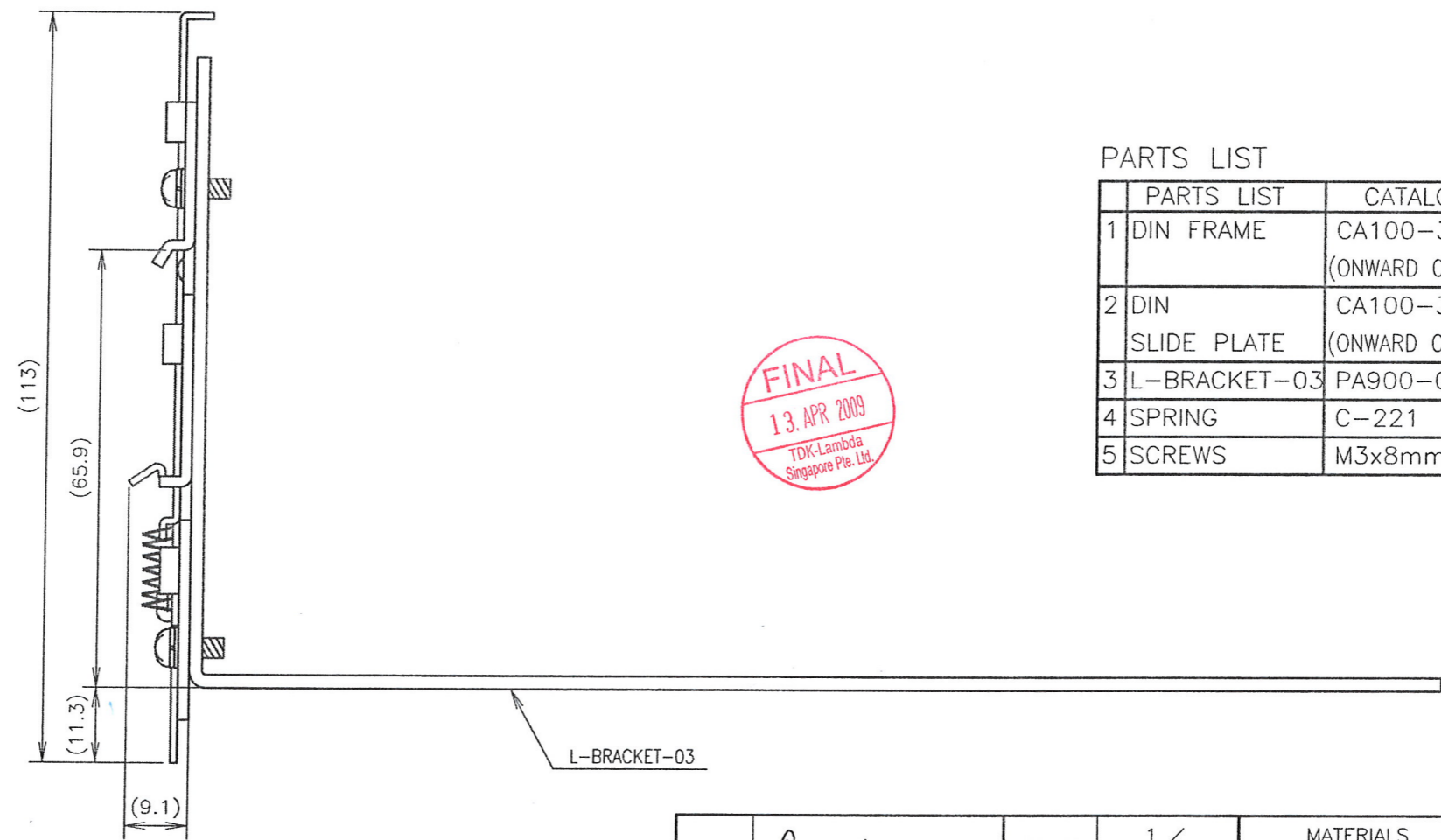
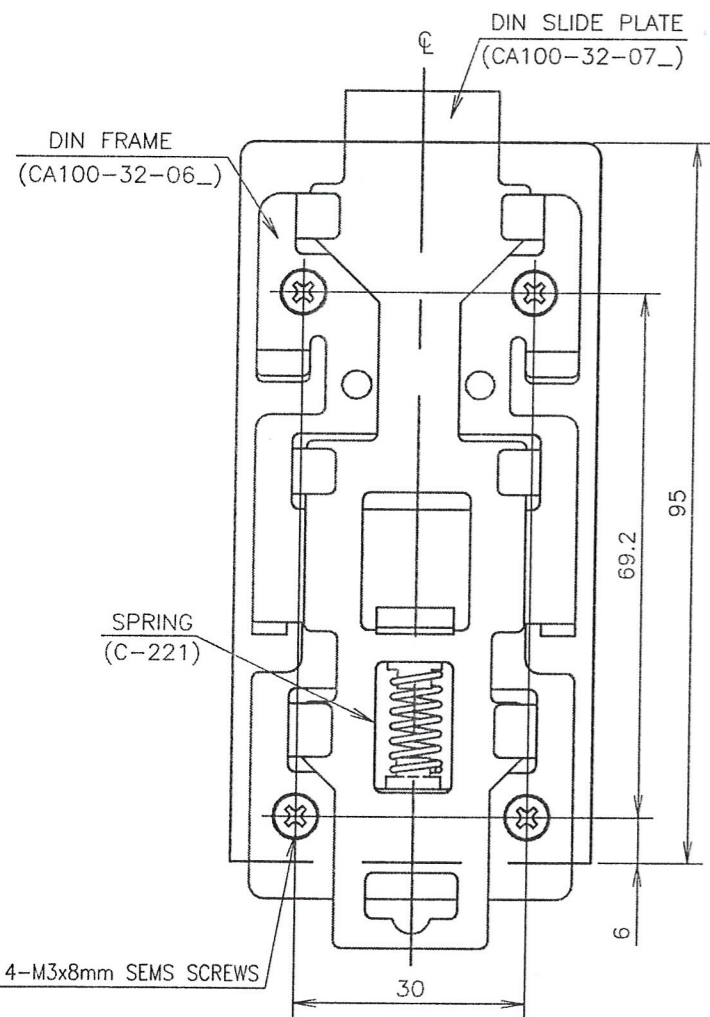
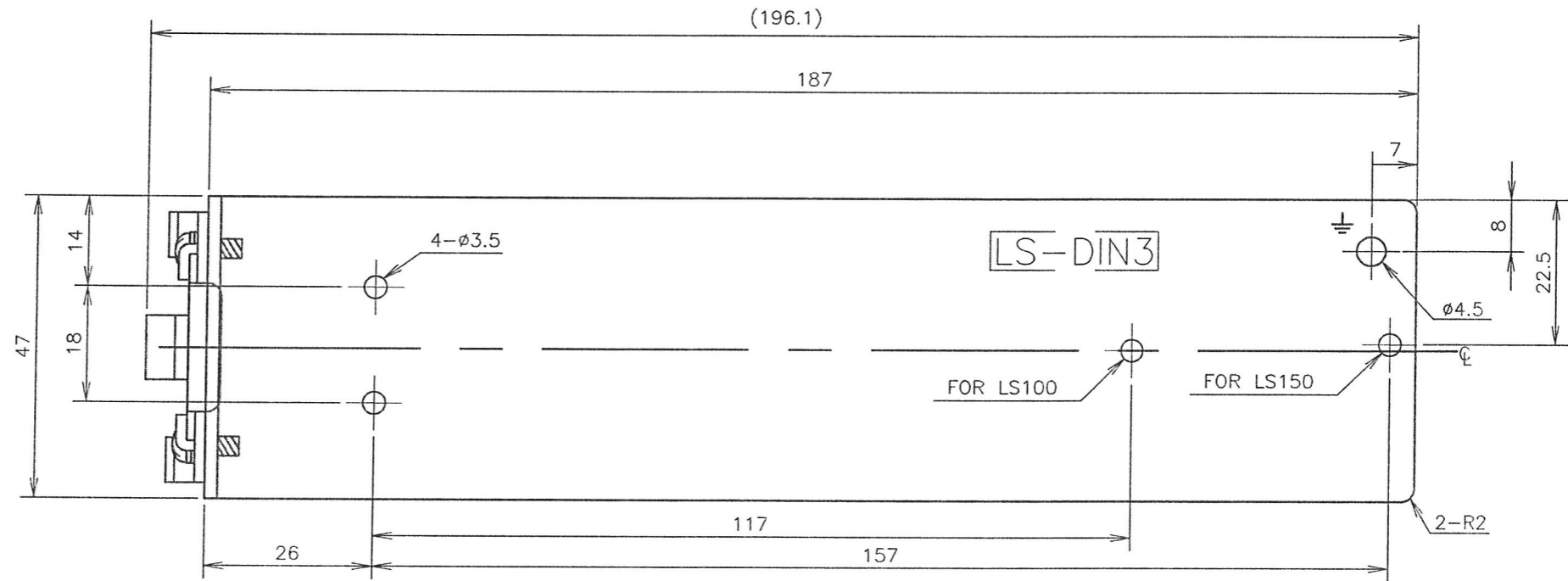
Unless otherwise specified dimensional tolerance as follows:

DIMENSION (mm)	TOLERANCE ±mm
1-16	0.1
16.1-63	0.2
63.1-250	0.3
250.1-1000	0.5

D	REV	CONTENTS	DATE	ENGR	CHK	APPD
-	-1	NEW RELEASE	9/4/09	DEVI	XLini	Ramesh

RoHS Compliance

REFER TO TL GROUP GREEN PROCUREMENT GUIDE LINE (DL-EMS-010_).



PARTS LIST

PARTS LIST	CATALOG No.	NET	MANUFACTURE
1 DIN FRAME	CA100-32-06_ (ONWARD CA100-32-06C)	1	T-L
2 DIN SLIDE PLATE	CA100-32-07_ (ONWARD CA100-32-07C)	1	T-L
3 L-BRACKET-03	PA900-00-66_	1	T-L
4 SPRING	C-221	1	KATO SPRING
5 SCREWS	M3x8mm SEMS	4	T-L

FINAL
13 APR 2009
TDK-Lambda
Singapore Pte. Ltd.

APPD	Ramesh	SCALE	1/1	MATERIALS	TITLE	LS-DIN3(LS100/150)
CHK	XLini	UNITS	mm	FINISH	DRAWING No.	PA900-00-69- 1/1
ENGR	DEVI	ANGLE	3RD ANGLE PROJECTION		TDK-Lambda	