



Chipsmall Limited consists of a professional team with an average of over 10 year of expertise in the distribution of electronic components. Based in Hongkong, we have already established firm and mutual-benefit business relationships with customers from,Europe,America and south Asia,supplying obsolete and hard-to-find components to meet their specific needs.

With the principle of "Quality Parts,Customers Priority,Honest Operation,and Considerate Service",our business mainly focus on the distribution of electronic components. Line cards we deal with include Microchip,ALPS,ROHM,Xilinx,Pulse,ON,Everlight and Freescale. Main products comprise IC,Modules,Potentiometer,IC Socket,Relay,Connector.Our parts cover such applications as commercial,industrial, and automotives areas.

We are looking forward to setting up business relationship with you and hope to provide you with the best service and solution. Let us make a better world for our industry!



Contact us

Tel: +86-755-8981 8866 Fax: +86-755-8427 6832

Email & Skype: info@chipsmall.com Web: www.chipsmall.com

Address: A1208, Overseas Decoration Building, #122 Zhenhua RD., Futian, Shenzhen, China



LS12P Series

Non-illuminated/Horizontal Type LS12P Series



■特徴 Features

- | | |
|--|---|
| <ol style="list-style-type: none"> 1. 水平型タイプなので、はんだ付基板に対して側面よりプッシュできます。 2. リフロー炉によるはんだ付けができます。 | <ol style="list-style-type: none"> 1. This horizontal-type switch allows the side of the soldered PCB to be pushed. 2. Reflow soldering is possible using a reflow furnace. |
|--|---|

■用途 Applications

- | | |
|---|--|
| <ol style="list-style-type: none"> 1. タクティルスイッチLS12Pシリーズは操作スイッチとして次のような製品に使用できます。
デジタルカメラ、モバイル端末、各種AV機器。 | <ol style="list-style-type: none"> 1. TACTILE SWITCH, LS12M series, can be used as a function control switch in the following applications.
Digital cameras, mobile terminals, various kinds of audio visual instruments. |
|---|--|

●製品コード Product code

LS12□□E-□

〈シリーズ Series〉

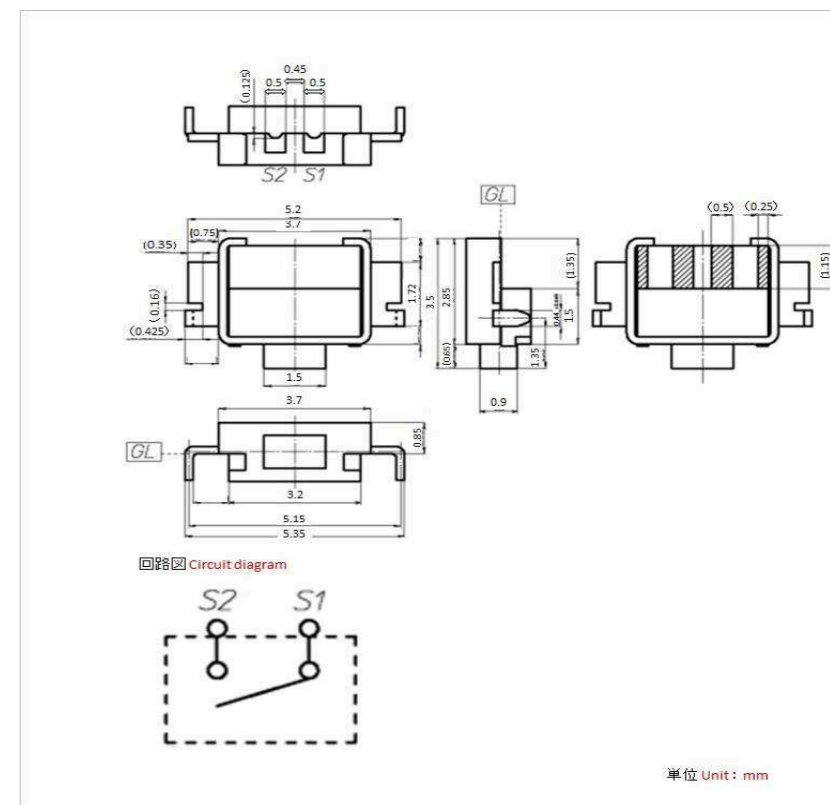
スイッチ高さ Thickness	P : 3.5mm
操作荷重 Operating force	2 : 1.57N (160gf)
エッジマウントタイプ Edge die mount type	
梱包形態 Packing mode	

T : テーピング (基本納入形態)
 T : Taping (standard mode)
 無記入 : バルク包装
 Non-coded : Bulk packing

●電氣的・機械的特性 Electro-Mechanical Characteristics (Ta 25°C)

Item	スイッチ作動力 Switch operating force
	1.57N
最大定格 Maximum rating	DC12V 20mA
接触抵抗 Contact resistance	500mΩ以下 500mΩ or less
絶縁抵抗 Insulation resistance	100MΩ以上 100MΩ or more
耐電圧 Withstanding voltage	AC250V 1分間 AC250V for one minute
バウンス Bounce	20ms以下 20ms or less
ストローク Stroke	0.2mm
作動力 Operating force	1.57±0.49N
動作寿命 Operating life(times)	10万回以上 100,000 or more

●外形寸法図 Outline drawing



推奨はんだ付けパターン
 The following soldering patterns are recommended for reflow-soldering:

