



Chipsmall Limited consists of a professional team with an average of over 10 year of expertise in the distribution of electronic components. Based in Hongkong, we have already established firm and mutual-benefit business relationships with customers from,Europe,America and south Asia,supplying obsolete and hard-to-find components to meet their specific needs.

With the principle of “Quality Parts,Customers Priority,Honest Operation,and Considerate Service”,our business mainly focus on the distribution of electronic components. Line cards we deal with include Microchip,ALPS,ROHM,Xilinx,Pulse,ON,Everlight and Freescale. Main products comprise IC,Modules,Potentiometer,IC Socket,Relay,Connector.Our parts cover such applications as commercial,industrial, and automotives areas.

We are looking forward to setting up business relationship with you and hope to provide you with the best service and solution. Let us make a better world for our industry!



Contact us

Tel: +86-755-8981 8866 Fax: +86-755-8427 6832

Email & Skype: info@chipsmall.com Web: www.chipsmall.com

Address: A1208, Overseas Decoration Building, #122 Zhenhua RD., Futian, Shenzhen, China



Model

LS530-RH

12 Volt Input

Dual Tube CCFT Inverter

Brightness Control

RoHS COMPLIANT

Physical Specifications

Dimensions:	20mm x 130mm x 14mm (0.787" x 5.12" x 0.551")
Weight:	36g (1.28 oz.)
Operating Temp:	0 to 60°C, convection cooling
Relative Humidity:	20% to 90%, non-condensing
Storage:	-20 to 85°C/5-95% RH
Impact Resistance:	50G half wave per 2 msec
Vibration Resistance:	10-55-10 Hz/min @ 1.5mm



Input Specifications*

Item	Condition	Standard		
		MIN	TYP	MAX
Input Voltage Rated Tolerance	—	12 Vdc	—	—
	Continuous Operation Starting Condition (Discharge Starting Voltage)	9.6 Vdc - 14.4 Vdc	—	—
Input Current	V _{IN} = 12.0 Vdc, V _{BR} = 0 V Luminance @ Max.	0.65 A	—	—
Rush Current	V _{IN} = 14.4 Vdc Luminance @ Max.	5.0 A zero-p/20 μS or less	—	—
Max. Input Power	V _{IN} = 12.0 Vdc, V _{BR} = 0 V Luminance @ Max.	8 W	—	—
On/Off Input Current	On/Off L = 0.0 - 0.4 Vdc V _{IN} = 14.4 Vdc	I _{low} = -0.45 mA or more (Lamp Lighting)	—	—
	On/Off H = Open or V _{IN}	— (Lamp Off)	—	—

*Above Specifications Occur @ 25 ± 5°C

Output Specifications*

Item	Condition	Standard		
		MIN	TYP	MAX
Output Voltage (Vrms)	V _{IN} = 9.6 Vdc, V _{BR} = 0 V	1500	—	—
Tube Current (mArms)	Luminance @ Max. (V _{IN} = 12.0 V, V _{BR} = 0 V)	—	7.0	—
	Luminance @ Min. (V _{IN} = 12.0 V, V _{BR} = 2.5 V)	—	3.0	—
Max. Power Output (W)	V _{IN} = 12 Vdc/Luminance @ Max.	—	—	4.0
Ignition Frequency (kHz)	Luminance @ Max.	—	60	—

*Above specifications occur @ 25 ± 5°C & V_{IN} = 9.6 - 15 Vdc.

Model

LS530-RH

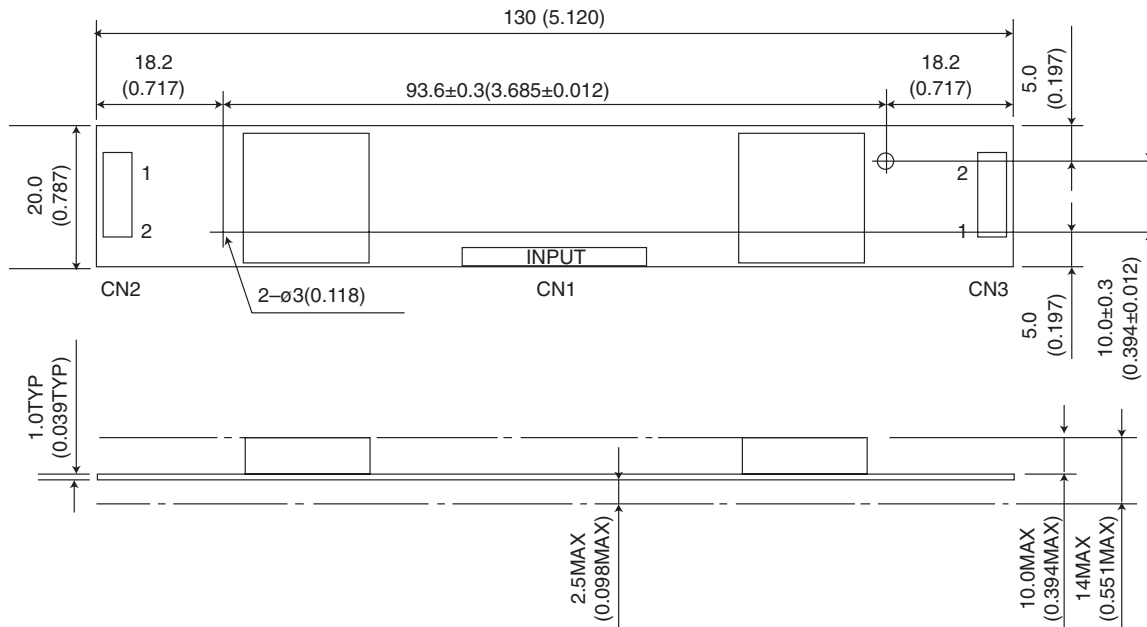
Insulating Withstand Voltage

Item	Rating	Description
Insulating Withstand Voltage	Primary - Secondary	2.0 kVA Impulse
Insulating Resistance	Primary - Secondary Winding - Core	500 Vdc More than 100 MΩ

* Apply voltage to pin 6.

Luminance Variance

Item	Condition	Applied Voltage	Output Current
Luminance @ Max.	Btwn. pin 6 & 7	Vbr = 0.0 V	7.0 mA
Luminance @ Min.	Btwn. pin 6 & 7	Vbr = 2.5 V	3.0 mA



© Copyright 2007 TAIYO YUDEN (U.S.A.), INC. Specifications subject to change without notice.

TAIYO YUDEN

TAIYO YUDEN (U.S.A.), INC.
440 Stevens Avenue, Suite 300 Solana Beach, CA 92075
(858) 350-6800 / Fax: (858) 350-6854
(800) 263-4532 www.t-yuden.com inverters@t-yuden.com



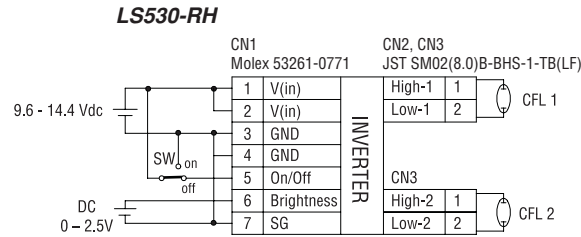
FM 32227

Model

LS530-RH

Tech Notes

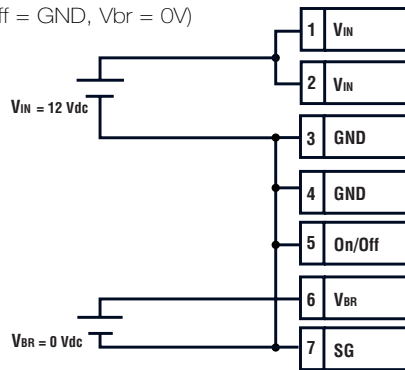
Connection Diagram



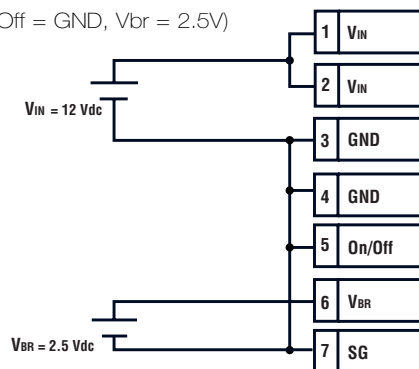
DC Brightness Control Method*

Maximum output current can be adjusted by applying bias voltage or using a variable resistor as shown below.

$I_{out} = 7mA$ ($V_{in} = 12V$, On/Off = GND, $V_{br} = 0V$)



$I_{out} = 3mA$ ($V_{in} = 12V$, On/Off = GND, $V_{br} = 2.5V$)



© Copyright 2007 TAIYO YUDEN (U.S.A.), INC. Specifications subject to change without notice.

TAIYO YUDEN

TAIYO YUDEN (U.S.A.), INC.
440 Stevens Avenue, Suite 300 Solana Beach, CA 92075
(858) 350-6800 / Fax: (858) 350-6854
(800) 263-4532 www.t-yuden.com inverters@t-yuden.com



FM 32227