



Chipsmall Limited consists of a professional team with an average of over 10 year of expertise in the distribution of electronic components. Based in Hongkong, we have already established firm and mutual-benefit business relationships with customers from,Europe,America and south Asia,supplying obsolete and hard-to-find components to meet their specific needs.

With the principle of "Quality Parts,Customers Priority,Honest Operation,and Considerate Service",our business mainly focus on the distribution of electronic components. Line cards we deal with include Microchip,ALPS,ROHM,Xilinx,Pulse,ON,Everlight and Freescale. Main products comprise IC,Modules,Potentiometer,IC Socket,Relay,Connector.Our parts cover such applications as commercial,industrial, and automotives areas.

We are looking forward to setting up business relationship with you and hope to provide you with the best service and solution. Let us make a better world for our industry!



Contact us

Tel: +86-755-8981 8866 Fax: +86-755-8427 6832

Email & Skype: info@chipsmall.com Web: www.chipsmall.com

Address: A1208, Overseas Decoration Building, #122 Zhenhua RD., Futian, Shenzhen, China



LSCR SERIES HIGH-SPEED FUSE BLOCKS

700 V/1000 V



Description

Littelfuse LSCR Series is a comprehensive line of modular fuse blocks, designed to accommodate a wide range of High-Speed and UL Power Fuses. These LSCR Series blocks have modular stud type design that enables easy mounting in panel boards.

LSCR Series blocks are CE Certified and RoHS Compliant.

Features/Benefits

- Modular design reduces inventory requirements
- Sold in pairs for convenience
- Supplied with nut and belleville washer
- 200kA Short-circuit withstand rating
- Constructed of molded phenolic (with plated steel studs) provide greater heat dissipation

Specifications

Voltage Rating	700 V / 1000 V
Ampere Ratings	400A, 800A and 1200A
Withstand Rating	200kA
Approvals	UL Recognized (File: E14721) cURus Recognized (E14721) CSA Certified (File: 73160)
Material	Base: Molded Phenolic or Thermoplastic Terminal Construction: Plated steel.
Flammability Rating	UL94 V-0
Environmental	RoHS Compliant
Country of Origin	LSCR0xx - China LSCR1xx - USA

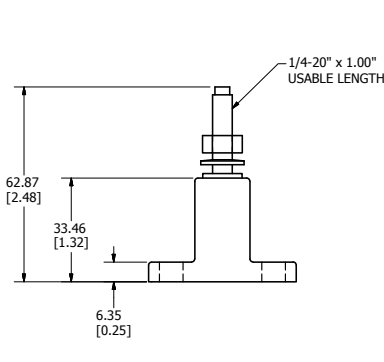
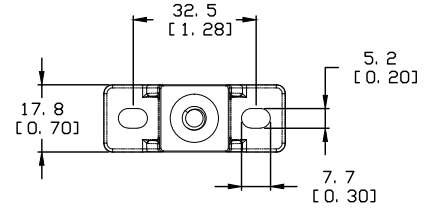
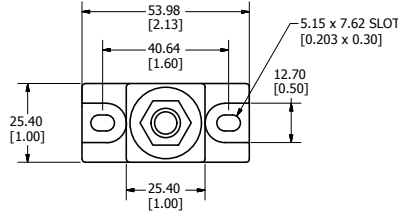
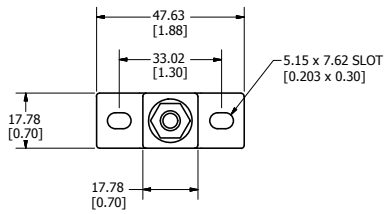
Web Resources

For more information, visit: littelfuse.com/lscr

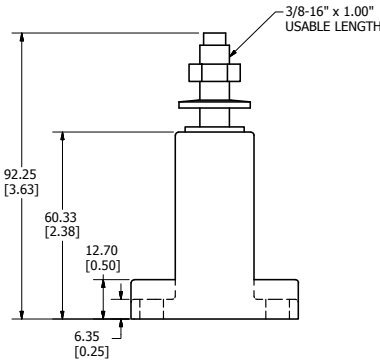
ELECTRICAL & MECHANICAL SPECIFICATIONS														
CATALOG/ ORDERING NUMBER	AMPERE RATING	VOLTAGE RATING	TERMINAL (STUD) MATERIAL	INSULATOR		TERMINAL (STUD) SIZE	STUD TORQUE		MOUNTING FASTNER SIZE	FASTENER TORQUE		AGENCY APPROVALS		
				MATERIAL	MAX. BASE TEMPERATURE		(in.lbs)	(N-m)		(in.lbs)	(N-m)	UR	CURUS	CSA
LSCR001	400A	700Vac/dc	Plated Steel	Molded Phenolic	150°C (302°F)	¼-20 UNC	61	6.9	#10	20-25	2.3-2.8	•		•
LSCR002	800A	700Vac/dc	Plated Steel	Molded Phenolic	150°C (302°F)	3/8-16 UNC	192	21.7	#10	20-25	2.3-2.8	•		•
LSCR101	400A	1000Vac/dc	Steel, Zinc Plated	Thermoplastic	125°C (257°F)	¼-20 UNC	75	8.5	#10	25-30	2.8-3.4		•	
LSCR102	800A	1000Vac/dc	Steel, Zinc Plated	Thermoplastic	125°C (257°F)	3/8-16 UNC	230	26	#10	25-30	2.8-3.4		•	
LSCR103	1200A	1000Vac/dc	Steel, Zinc Plated	Thermoplastic	125°C (257°F)	½-13 UNC	300	34	¼"	25-30	2.8-3.4		•	

LSCR SERIES HIGH-SPEED FUSE BLOCKS

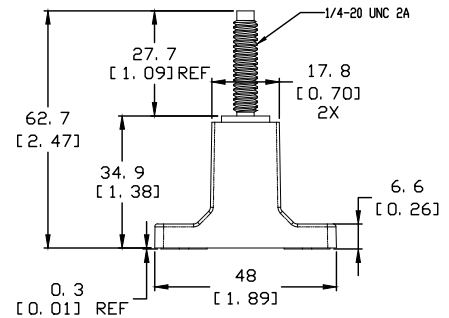
Dimensions mm (inches)



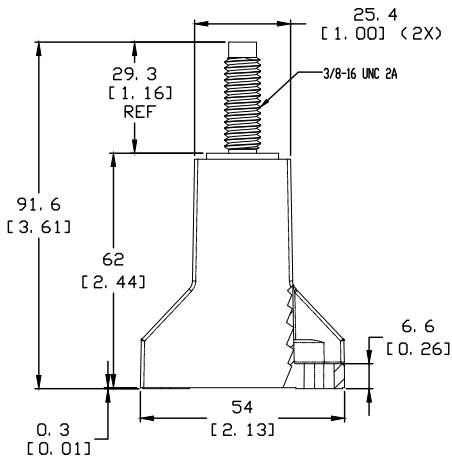
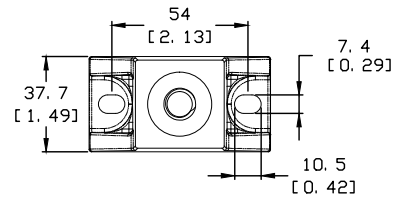
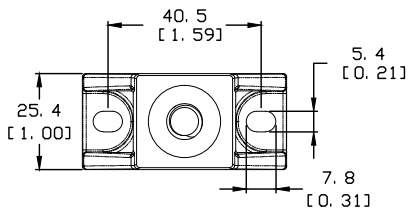
LSCR001



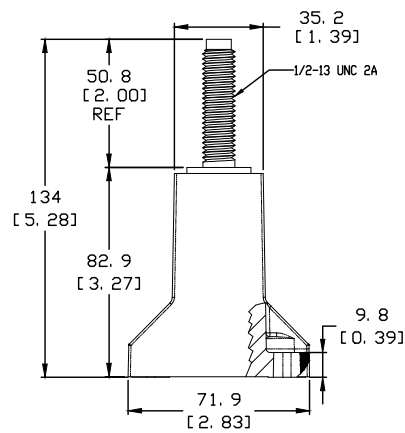
LSCR002



LSCR101



LSCR102



LSCR103

LSCR SERIES HIGH-SPEED FUSE BLOCKS

HIGH-SPEED FUSE BLOCK SELECTION GUIDE						
FUSE SERIES	CATALOG NUMBER	LSCR001	LSCR002	LSCR101	LSCR102	LSCR103
	TERMINAL SIZE	1/4 - 20 UNC	3/8 - 16 UNC	1/4 - 20 UNC	3/8 - 16 UNC	1/4 - 13 UNC
	VOLTAGE RATING	700Vac/dc	700Vac/dc	1000Vac/dc	1000Vac/dc	1000Vac/dc
	AMPERE RATING	400A	800A	400A	800A	1200A
L15S	70-400	X		X		
	500-800		X		X	
L17T	70-250	X		X		
	300-800		X		X	
L25S	35-200	X		X		
	225-800		X		X	
L50S	35-200	X		X		
	225-800		X		X	
	700-800					X
L50QS	35-200	X		X		
	225-800		X		X	
	700-800					X
L60S	35-200	X		X		
	225-800		X		X	
	700-800					X
KLC	35-60	X		X		
	70-800		X		X	
	225-800					X
L70S	35-100	X		X		
	125-800		X		X	
	450-800					X
L70QS	35-100	X		X		
	125-800		X		X	
	450-800					X
JLLN	70-200	X		X		
	225-800		X		X	
	700-1200					X
JLLS	70-200	X		X		
	225-800		X		X	
	700-1200					X
JLS	70-100	X		X		
	110-200	X		X		
	225-400		X		X	
	450-600		X		X	
SPFJ	70-100			X		
	125-200			X		
	250-400				X	
	450					X