



Chipsmall Limited consists of a professional team with an average of over 10 year of expertise in the distribution of electronic components. Based in Hongkong, we have already established firm and mutual-benefit business relationships with customers from,Europe,America and south Asia,supplying obsolete and hard-to-find components to meet their specific needs.

With the principle of “Quality Parts,Customers Priority,Honest Operation,and Considerate Service”,our business mainly focus on the distribution of electronic components. Line cards we deal with include Microchip,ALPS,ROHM,Xilinx,Pulse,ON,Everlight and Freescale. Main products comprise IC,Modules,Potentiometer,IC Socket,Relay,Connector.Our parts cover such applications as commercial,industrial, and automotives areas.

We are looking forward to setting up business relationship with you and hope to provide you with the best service and solution. Let us make a better world for our industry!



## Contact us

Tel: +86-755-8981 8866 Fax: +86-755-8427 6832

Email & Skype: info@chipsmall.com Web: www.chipsmall.com

Address: A1208, Overseas Decoration Building, #122 Zhenhua RD., Futian, Shenzhen, China



DO NOT SCALE FROM THIS PRINT

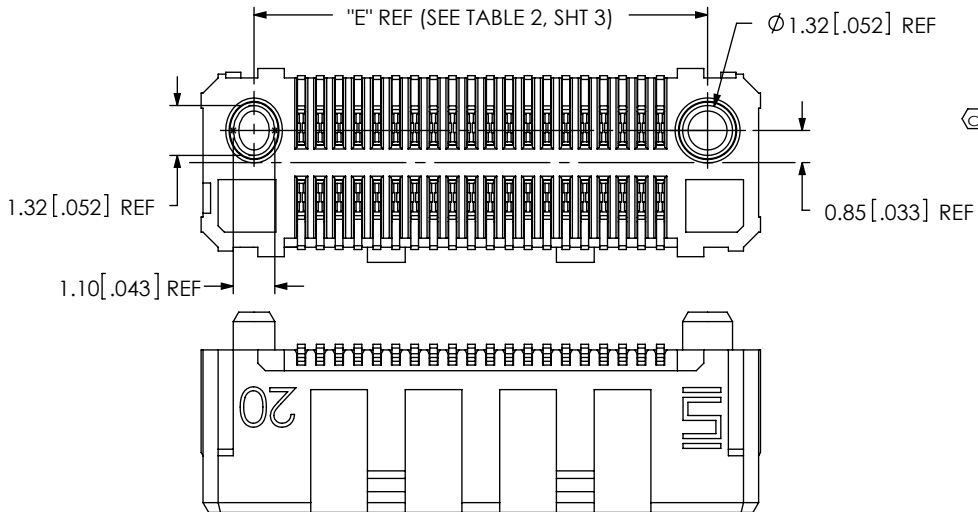
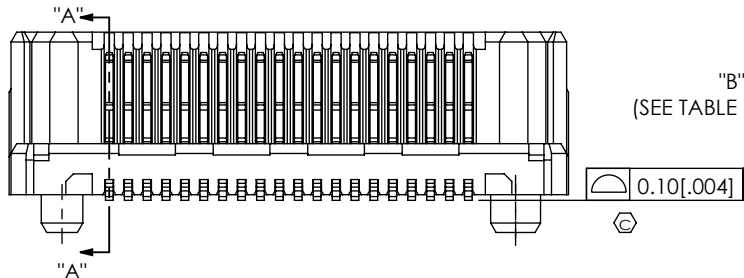
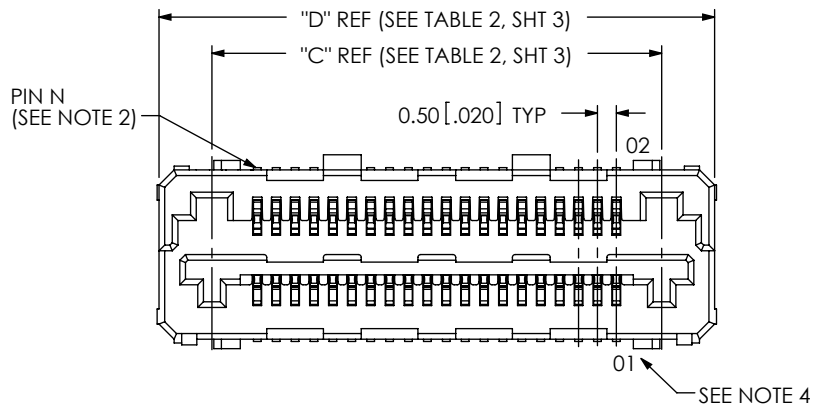


FIG 1  
 (LSHM-1XX-XX.X-DV-A-N-X-TR SHOWN)

LSHM-1XX-XX.X-XX-DV-A-X-X-TR

No OF POSITIONS  
 05, 10, 20, 30, 40, 50

LEAD STYLE  
 -02.5  
 -03.0  
 -04.0  
 -06.0  
 -L2.5: LUBRICATED  
 -L3.0: LUBRICATED  
 -L4.0: LUBRICATED  
 -L6.0: LUBRICATED

PACKAGING (SEE NOTE 6)  
 -TR: TAPE & REEL

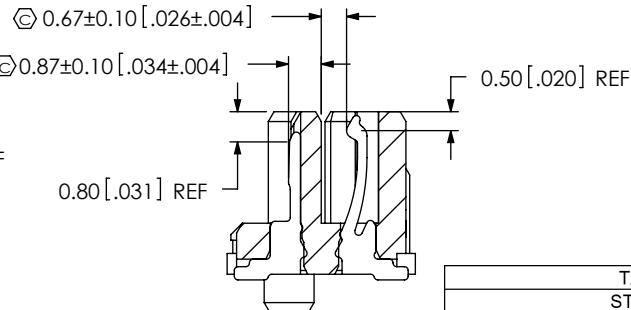
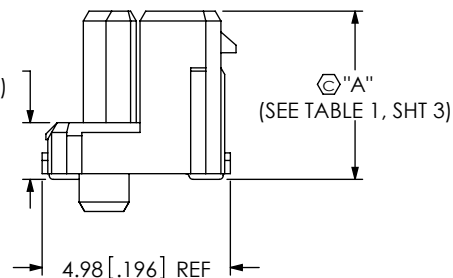
OPTION  
 -K: POLYIMIDE FILM  
 (USE K-DOT-.138-.250-.005)  
 (SEE FIG 3, SHT 3)

SHIELD  
 S: WITH SHIELD  
 N: NO SHIELD

TAIL OPTION  
 DV: VERTICAL

PLATING SPECIFICATION

-L: 10µ" SELECTIVE GOLD IN CONTACT AREA, MATTE TIN ON TAIL  
 -F: 3µ" SELECTIVE GOLD IN CONTACT AREA, MATTE TIN ON TAIL  
 -S: 30µ" SELECTIVE GOLD IN CONTACT AREA, MATTE TIN ON TAIL



SECTION "A"- "A"  
 SCALE 5 : 1

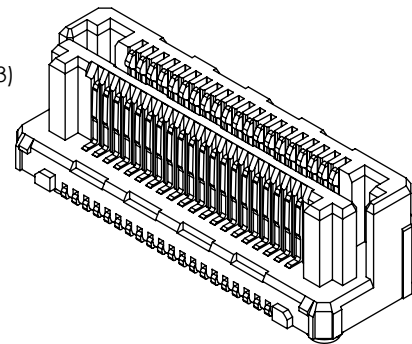


TABLE 4 REF STACK HEIGHT				
LSHM LEAD STYLE	-02.5	-03.0	-04.0	-06.0
-02.5	5.0MM			
-03.0	5.5MM	6.0MM		
-04.0	6.5MM	7.0MM	8.0MM	
-06.0	8.5MM	9.0MM	10.0MM	12.0MM

NOTES:

- ⊕ REPRESENTS A CRITICAL DIMENSION.
- BURR ALLOWANCE: .038 [.0015].
- MINIMUM PUSHOUT FORCE; TERMINALS: 2.22 N [.5 LBS], CONTACTS: 2.22 N [.5 LBS].
- WHEN MATING WITH ANOTHER LSHM-DV, PIN 01 WILL MATE WITH CONTACT 02 ON MATING CONNECTOR. WHEN MATING WITH A LSHM-DH, PIN 01 WILL MATE WITH PIN N, WHERE N=TOTAL NUMBER OF POSITIONS.
- MEASURE FROM TOP OF VERTICAL WALL.
- FOR QUANTITIES UP TO 49 PCS., NO LEADER, TRAILER OR REEL WILL BE SUPPLIED.
- FOR QUANTITIES OF 50-124 PCS., NO LEADER OR TRAILER WILL BE SUPPLIED.
- FOR APPLICATION REQUIRING TWO OR MORE CONNECTORS PER BOARD, CONTACT IPG@SAMTEC.COM.

UNLESS OTHERWISE SPECIFIED, DIMENSIONS ARE IN MILLIMETERS (INCHES). TOLERANCES ARE: DECIMALS ANGLES  
 X.X: ±0.3 [.01] 2°  
 X.XX: ±0.13 [.005]  
 X.XXX: ±0.051 [.0020]

PROPRIETARY NOTE  
 THIS DOCUMENT CONTAINS CONFIDENTIAL AND PROPRIETARY INFORMATION AND ALL DESIGN, MANUFACTURING, REPRODUCTION, USE, PATENT RIGHTS AND SALES RIGHTS ARE EXPRESSLY RESERVED BY SAMTEC, INC. THIS DOCUMENT SHALL NOT BE DISCLOSED, IN WHOLE OR PART, TO ANY UNAUTHORIZED PERSON OR ENTITY NOR REPRODUCED, TRANSFERRED OR INCORPORATED IN ANY OTHER PROJECT IN ANY MANNER WITHOUT THE EXPRESS WRITTEN CONSENT OF SAMTEC, INC.

MATERIAL: DO NOT SCALE DRAWING SHEET SCALE: 2:1  
 INSULATOR: LCP, UL 94 V0; COLOR: BLACK  
 CONTACT OR TERMINAL: PHOS BRONZE  
 SHIELD: STAINLESS STEEL

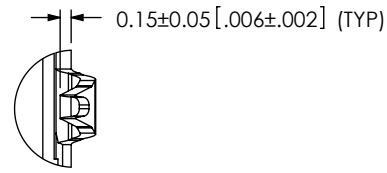
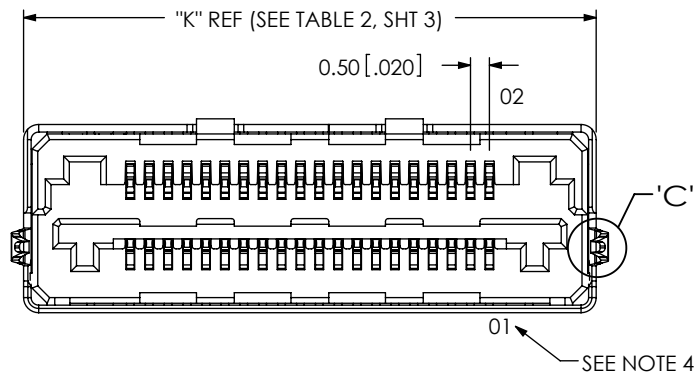
DESCRIPTION:  
 0.50mm TERMINAL/SOCKET COMBO

DWG. NO.  
 LSHM-1XX-XX.X-XX-DV-A-X-X-TR

BY: AGEN H 10/30/2008 SHEET 1 OF 4



520 PARK EAST BLVD, NEW ALBANY, IN 47150  
 PHONE: 812-944-6733 FAX: 812-948-5047  
 e-Mail: info@SAMTEC.COM code 55322



DETAIL 'C'  
 SCALE 10:1

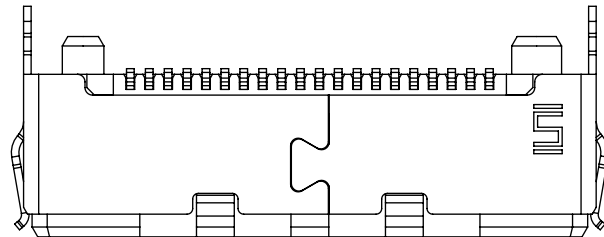
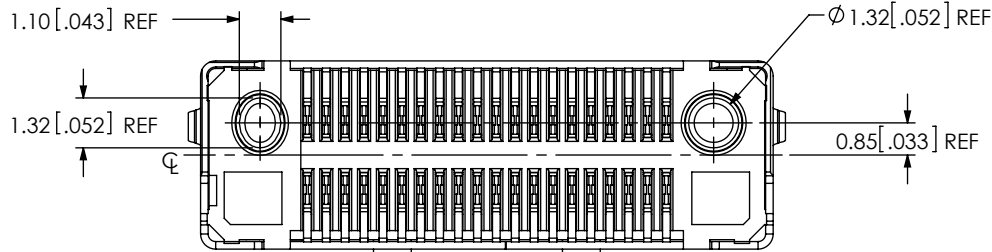
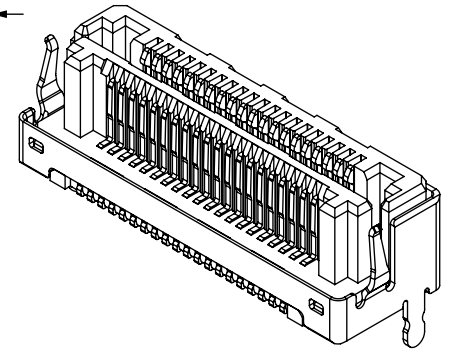
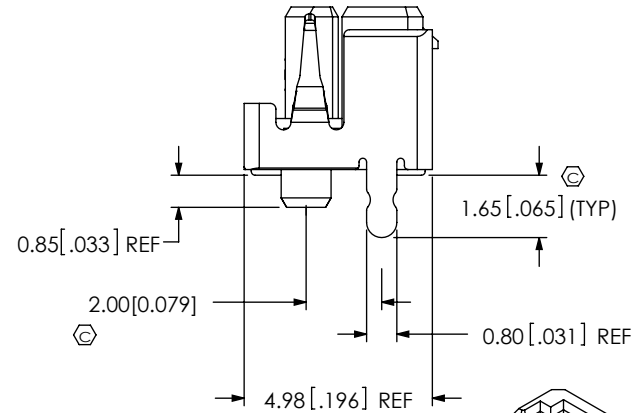
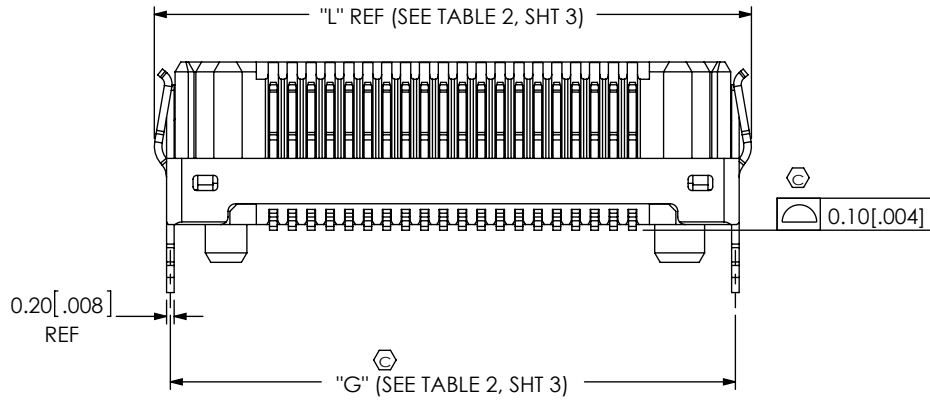


FIG 2  
 (LSHM-1XX-XX.X-DV-A-S-X-TR SHOWN)

**PROPRIETARY NOTE**  
 THIS DOCUMENT CONTAINS CONFIDENTIAL AND PROPRIETARY INFORMATION AND ALL DESIGN, MANUFACTURING, REPRODUCTION USE, PATENT RIGHTS AND SALES RIGHTS ARE EXPRESSLY RESERVED BY SAMTEC, INC. THIS DOCUMENT SHALL NOT BE DISCLOSED, IN WHOLE OR PART, TO ANY UNAUTHORIZED PERSON OR ENTITY NOR REPRODUCED, TRANSFERRED OR INCORPORATED IN ANY OTHER PROJECT IN ANY MANNER WITHOUT THE EXPRESS WRITTEN CONSENT OF SAMTEC, INC.



520 PARK EAST BLVD, NEW ALBANY, IN 47150  
 PHONE: 812-944-6733 FAX: 812-948-5047  
 e-Mail: info@SAMTEC.com code 55322

DO NOT SCALE DRAWING  
 SHEET SCALE: 1:0.2

DESCRIPTION:  
 0.50mm TERMINAL/SOCKET COMBO

DWG. NO.  
 LSHM-1XX-XX.X-XX-DV-A-X-X-TR

BY: AGEN H 10/30/2008 SHEET 2 OF 4

TABLE 1			
STYLE	"A"	"B"	"J"
-02.5	3.95 [0.156]	1.00 [0.039]	4.10 [0.161]
-03.0	4.45 [0.175]	1.50 [0.059]	4.60 [0.181]
-04.0	5.45 [0.215]	2.50 [0.098]	5.60 [0.220]
-06.0	7.45 [0.293]	4.50 [0.177]	7.60 [0.299]

TABLE 2							
No OF POS	"C"	"D"	"E"	"G"	"H"	"K"	"L"
-05	4.40 [0.173]	7.20 [0.283]	4.50 [0.177]	7.45 [0.293]	1.85 [0.073]	7.65 [0.301]	8.30 [0.327]
-10	6.90 [0.272]	9.70 [0.382]	7.00 [0.276]	9.95 [0.392]	3.10 [0.122]	10.15 [0.400]	10.80 [0.425]
-20	11.90 [0.469]	14.70 [0.579]	12.00 [0.472]	14.95 [0.589]	5.60 [0.220]	15.15 [0.596]	15.80 [0.622]
-30	16.90 [0.665]	19.70 [0.776]	17.00 [0.669]	19.95 [0.785]	8.10 [0.319]	20.15 [0.793]	20.80 [0.819]
-40	21.90 [0.862]	24.70 [0.972]	22.00 [0.866]	24.95 [0.982]	10.60 [0.417]	25.15 [0.990]	25.80 [1.016]
-50	26.90 [1.059]	29.70 [1.169]	27.00 [1.063]	29.95 [1.179]	13.10 [0.516]	30.15 [1.187]	30.80 [1.213]

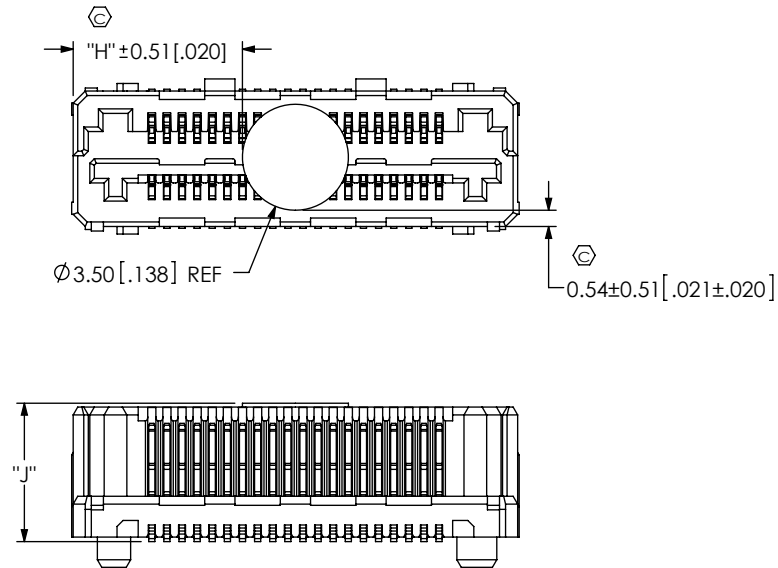



FIG 3  
-K OPTION  
(LSHM-120-XX.X-DV-A-N-K SHOWN)

<p><b>PROPRIETARY NOTE</b></p> <p>THIS DOCUMENT CONTAINS CONFIDENTIAL AND PROPRIETARY INFORMATION AND ALL DESIGN, MANUFACTURING, REPRODUCTION, USE, PATENT RIGHTS AND SALES RIGHTS ARE EXPRESSLY RESERVED BY SAMTEC, INC. THIS DOCUMENT SHALL NOT BE DISCLOSED, IN WHOLE OR PART, TO ANY UNAUTHORIZED PERSON OR ENTITY NOR REPRODUCED, TRANSFERRED OR INCORPORATED IN ANY OTHER PROJECT IN ANY MANNER WITHOUT THE EXPRESS WRITTEN CONSENT OF SAMTEC, INC.</p>	 <p>520 PARK EAST BLVD, NEW ALBANY, IN 47150 PHONE: 812-944-6733 FAX: 812-948-5047 e-Mail info@SAMTEC.com code 55322</p>	
	<p>DO NOT SCALE DRAWING SHEET SCALE: 5:1</p>	<p>DESCRIPTION: 0.50mm TERMINAL/SOCKET COMBO</p> <p>DWG. NO. LSHM-1XX-XX.X-XX-DV-A-X-X-TR</p> <p>BY: AGEN H 10/30/2008 SHEET 3 OF 4</p>

**TABLE 3**

LEAD STYLE	PLATING	SHIELD	BODY	CONTACT	SHIELD
-02.5	-L	N	LSHM-XX-02.5-DV-A	C-261-01-L	N/A
	-F			C-261-01-F	
	-S			C-261-01-S	
-03.0	-L	N	LSHM-XX-03.0-DV-A	C-185-01-LM	N/A
	-F			C-185-01-FM	
	-S			C-185-01-SM	
-04.0	-L	N	LSHM-XX-04.0-DV-A	C-185-03-LM	N/A
	-F			C-185-03-FM	
	-S			C-185-03-SM	
-06.0	-L	N	LSHM-XX-06.0-DV-A	C-185-02-LM	N/A
	-F			C-185-02-FM	
	-S			C-185-02-SM	
-02.5	-L	S	LSHM-XX-02.5-DV-A	C-261-01-L	SH26-XX-02.5-DV-N
	-F			C-261-01-F	
	-S			C-261-01-S	
-03.0	-L	S	LSHM-XX-03.0-DV-A	C-185-01-LM	SH26-XX-03.0-DV-N
	-F			C-185-01-FM	
	-S			C-185-01-SM	
-04.0	-L	S	LSHM-XX-04.0-DV-A	C-185-03-LM	SH26-XX-04.0-DV-N
	-F			C-185-03-FM	
	-S			C-185-03-SM	
-06.0	-L	S	LSHM-XX-06.0-DV-A	C-185-02-LM	SH26-XX-06.0-DV-N
	-F			C-185-02-FM	
	-S			C-185-02-SM	
-L2.5	-L	N	LSHM-XX-02.5-DV-A	C-261-L1-L	N/A
	-F			C-261-L1-F	
	-S			C-261-L1-S	
-L3.0	-L	N	LSHM-XX-03.0-DV-A	C-185-L1-LM	N/A
	-F			C-185-L1-FM	
	-S			C-185-L1-SM	
-L4.0	-L	N	LSHM-XX-04.0-DV-A	C-185-L3-LM	N/A
	-F			C-185-L3-FM	
	-S			C-185-L3-SM	
-L6.0	-L	N	LSHM-XX-06.0-DV-A	C-185-L2-LM	N/A
	-F			C-185-L2-FM	
	-S			C-185-L2-SM	
-L2.5	-L	S	LSHM-XX-02.5-DV-A	C-261-L1-L	SH26-XX-02.5-DV-N
	-F			C-261-L1-F	
	-S			C-261-L1-S	
-L3.0	-L	S	LSHM-XX-03.0-DV-A	C-185-L1-LM	SH26-XX-03.0-DV-N
	-F			C-185-L1-FM	
	-S			C-185-L1-SM	
-L4.0	-L	S	LSHM-XX-04.0-DV-A	C-185-L3-LM	SH26-XX-04.0-DV-N
	-F			C-185-L3-FM	
	-S			C-185-L3-SM	
-L6.0	-L	S	LSHM-XX-06.0-DV-A	C-185-L2-LM	SH26-XX-06.0-DV-N
	-F			C-185-L2-FM	
	-S			C-185-L2-SM	

**PROPRIETARY NOTE**  
 THIS DOCUMENT CONTAINS CONFIDENTIAL AND PROPRIETARY INFORMATION AND ALL DESIGN, MANUFACTURING, REPRODUCTION, USE, PATENT RIGHTS AND SALES RIGHTS ARE EXPRESSLY RESERVED BY SAMTEC, INC. THIS DOCUMENT SHALL NOT BE DISCLOSED, IN WHOLE OR PART, TO ANY UNAUTHORIZED PERSON OR ENTITY NOR REPRODUCED, TRANSFERRED OR INCORPORATED IN ANY OTHER PROJECT IN ANY MANNER WITHOUT THE EXPRESS WRITTEN CONSENT OF SAMTEC, INC.



520 PARK EAST BLVD, NEW ALBANY, IN 47150  
 PHONE: 812-944-6733 FAX: 812-948-5047  
 e-Mail: info@SAMTEC.com code 55322

DO NOT SCALE DRAWING  
 SHEET SCALE: 2:1

DESCRIPTION:  
 0.50mm TERMINAL/SOCKET COMBO

DWG. NO.  
**LSHM-1XX-XX.X-XX-DV-A-X-X-TR**

BY: AGEN H 10/30/2008 SHEET 4 OF 4