



Chipsmall Limited consists of a professional team with an average of over 10 year of expertise in the distribution of electronic components. Based in Hongkong, we have already established firm and mutual-benefit business relationships with customers from,Europe,America and south Asia,supplying obsolete and hard-to-find components to meet their specific needs.

With the principle of “Quality Parts,Customers Priority,Honest Operation,and Considerate Service”,our business mainly focus on the distribution of electronic components. Line cards we deal with include Microchip,ALPS,ROHM,Xilinx,Pulse,ON,Everlight and Freescale. Main products comprise IC,Modules,Potentiometer,IC Socket,Relay,Connector.Our parts cover such applications as commercial,industrial, and automotives areas.

We are looking forward to setting up business relationship with you and hope to provide you with the best service and solution. Let us make a better world for our industry!



## Contact us

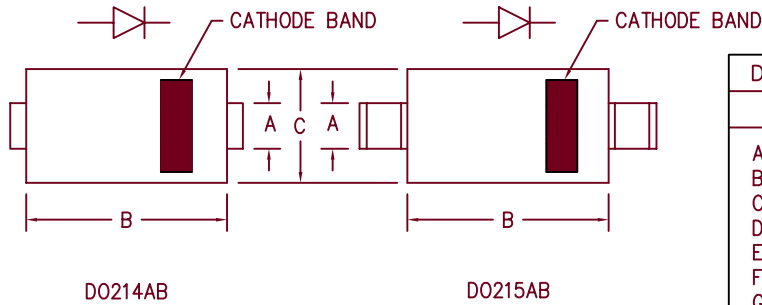
Tel: +86-755-8981 8866 Fax: +86-755-8427 6832

Email & Skype: info@chipsmall.com Web: www.chipsmall.com

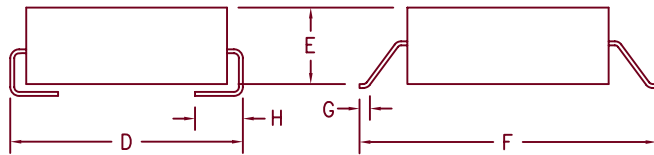
Address: A1208, Overseas Decoration Building, #122 Zhenhua RD., Futian, Shenzhen, China



# 5 Amp Schottky Rectifier LSM535 — LSM545



Dim.	Inches		Millimeter		Notes
	Minimum	Maximum	Minimum	Maximum	
A	.117	.123	2.97	3.12	
B	.260	.280	6.60	7.11	
C	.220	.245	5.59	6.22	
D	.307	.322	7.80	8.18	
E	.075	.095	1.91	2.41	
F	.380	.400	9.65	10.16	
G	.025	.040	.640	1.02	
H	.030	.060	.760	1.52	



Microsemi Catalog Number	Industry Part Number	Working Peak Reverse Voltage	Repetitive Peak Reverse Voltage
LSM535*	SK52L, B520C SK53L, B530C	35V	35V
LSM540*	SK54L, B540C	40V	40V
LSM545*	SK545L	45V	45V

\* Add Suffix J for J Lead or G for Gull Wing Lead Configuration

- Schottky Barrier Rectifier
- Guard Ring for Reverse Protection
- Low power loss, High efficiency
- $V_{RRM}$  35 to 45 Volts
- Reverse Energy Tested

## Electrical Characteristics

Average forward current	$I_F(AV)$ 5 Amps	Square wave
Maximum surge current	$I_{FSM}$ 250 Amps	8.3ms, half sine, $T_J = 150^\circ C$
Max peak forward voltage	$V_{FM}$ .42 Volts	$I_{FM} = 5A; T_J = 150^\circ C^*$
Max peak forward voltage	$V_{FM}$ .52 Volts	$I_{FM} = 5A; T_J = 25^\circ C^*$
Max peak reverse current	$I_{RM}$ 500 mA	$V_{RRM, T_J} = 125^\circ C^*$
Max peak reverse current	$I_{RM}$ 2 mA	$V_{RRM, T_J} = 25^\circ C$
Typical junction capacitance	$C_J$ 380 pF	$V_R = 5.0V, T_J = 25^\circ C$

\*Pulse test: Pulse width 300  $\mu$ sec, Duty cycle 2%

## Thermal and Mechanical Characteristics

Storage temperature range	$T_{STG}$	$-55^\circ C$ to $175^\circ C$
Operating junction temp range	$T_J$	$-55^\circ C$ to $150^\circ C$
Maximum thermal resistance	$R_{\theta JL}$	$22^\circ C$ Junction to lead
Weight		.008 ounces (.22 grams) typical



8700 East Thomas Road, P.O. Box 1390  
Scottsdale, AZ 85252  
PH: (480) 941-6300  
FAX: (480) 947-1503  
www.microsemi.com

05-17-07 Rev. 4

# LSM535 — LSM545

Figure 1  
Typical Forward Characteristics

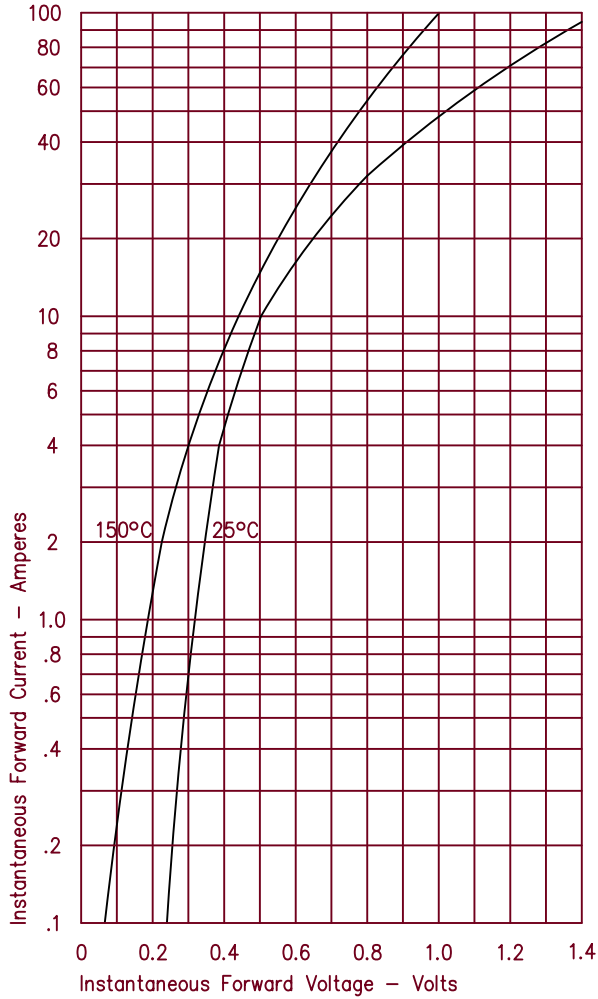


Figure 3  
Typical Junction Capacitance

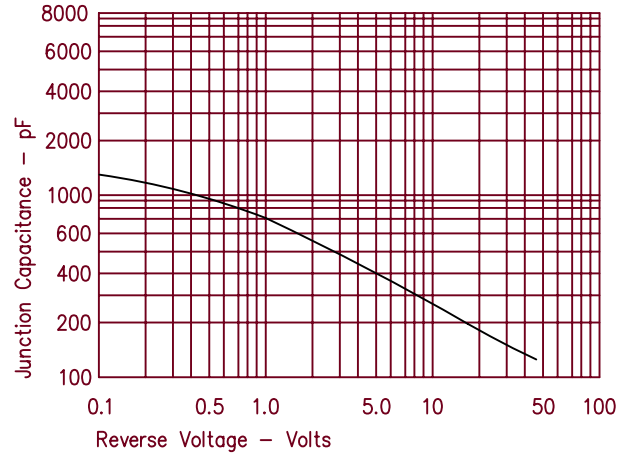


Figure 2  
Typical Reverse Characteristics

