



Chipsmall Limited consists of a professional team with an average of over 10 year of expertise in the distribution of electronic components. Based in Hongkong, we have already established firm and mutual-benefit business relationships with customers from,Europe,America and south Asia,supplying obsolete and hard-to-find components to meet their specific needs.

With the principle of “Quality Parts,Customers Priority,Honest Operation,and Considerate Service”,our business mainly focus on the distribution of electronic components. Line cards we deal with include Microchip,ALPS,ROHM,Xilinx,Pulse,ON,Everlight and Freescale. Main products comprise IC,Modules,Potentiometer,IC Socket,Relay,Connector.Our parts cover such applications as commercial,industrial, and automotives areas.

We are looking forward to setting up business relationship with you and hope to provide you with the best service and solution. Let us make a better world for our industry!



Contact us

Tel: +86-755-8981 8866 Fax: +86-755-8427 6832

Email & Skype: info@chipsmall.com Web: www.chipsmall.com

Address: A1208, Overseas Decoration Building, #122 Zhenhua RD., Futian, Shenzhen, China



8

7

6

5

4

3

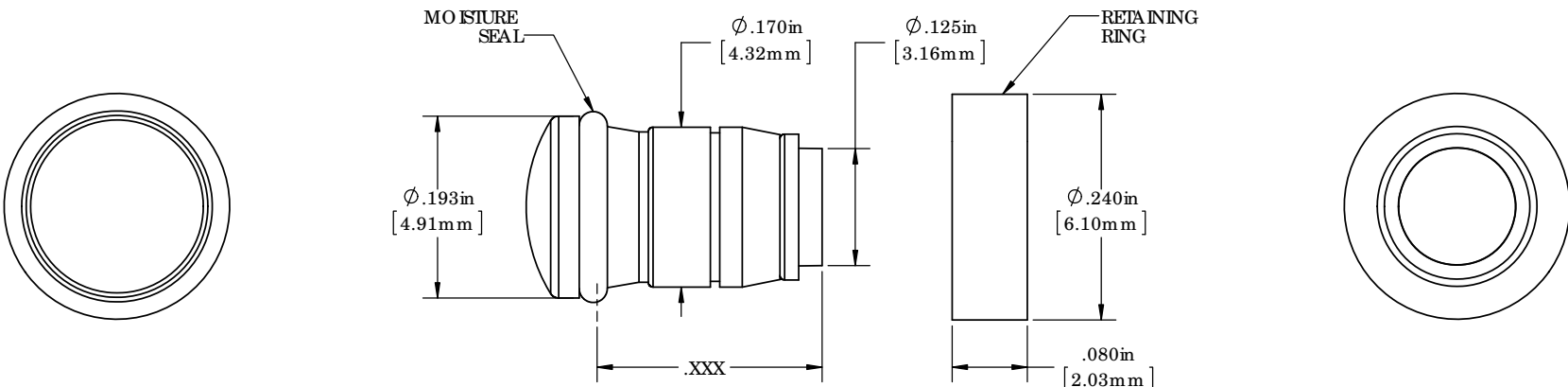
2

1

NOTES:

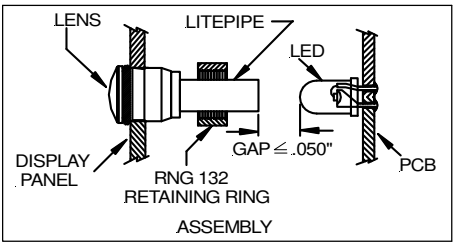
1. ROHS COMPLIANT
2. MATERIAL:
LITEPIPE - ACRYLIC (CLEAR OPTICAL GRADE), UL 94-HB
LENS - POLYCARBONATE, UL 94-V2
SEAL - EPDM
RETAINING RING - POLYPROPYLENE (BLACK)
3. MOUNTING: MOUNTS IN A $\phi .171" \pm .002$ [$\phi 4.34\text{mm} \pm .05$] PANEL HOLE ON
.250" [6.35mm] CENTER
4. PANEL HOLE SHALL BE DEBURRED, BUT NOT CHAMFERED
5. PANEL THICKNESS: .031" [.8mm] TO .094" [2.39mm]
6. ASSEMBLY:
A.) INSERT LITEPIPE THROUGH PANEL HOLE
B.) PRESS ON RETAINING RING TO SECURE UNIT TO PANEL
C.) SLIDE PCB INTO POSITION ALIGNING LED WITH END OF LITEPIPE UNIT
7. U.S AND FOREIGN PATENTS ISSUED

REVISIONS					
ECN #	REV.	DESCRIPTION	DATE	INITIALS	CHKD
391	000	INITIAL RELEASE	2/20/12	KH	AZ



ORDERING CODE: LSS XXX XXX

LITEPIPE		LENS	
XXX =	LENGTH	XXX =	COLOR
024	.240" (6.10mm)	RTP	RED TRANSPARENT
044	.440" (11.18mm)	ATP	AMBER TRANSPARENT
064	.640" (16.26mm)	GTP	GREEN TRANSPARENT
084	.840" (21.34mm)	BTP	BLUE TRANSPARENT
104	1.04" (26.4mm)	YTP	YELLOW TRANSPARENT
124	1.24" (31.5mm)	CTP	CLEAR TRANSPARENT
CUSTOM LENGTHS AVAILABLE UPON REQUEST			



<small>DIMENSION STYLE: INCHES / MM GENERAL TOLERANCES UNLESS OTHERWISE SPECIFIED</small> <table border="1"> <tr> <td>INCHES</td> <td>MM</td> </tr> <tr> <td>± .020</td> <td>± .508</td> </tr> <tr> <td>XX</td> <td>± .010</td> </tr> <tr> <td>XXX</td> <td>± .005</td> </tr> </table>	INCHES	MM	± .020	± .508	XX	± .010	XXX	± .005	APPROVAL	DATE
	INCHES	MM								
	± .020	± .508								
XX	± .010									
XXX	± .005									
DRAWN: KHOWARD	2/20/12									
CHECKED: AZANELLI	3/6/12									
<small>THIRD ANGLE PROJECTION</small> 	MATERIAL	SEE NOTES								
<small>PROPRIETARY AND CONFIDENTIAL</small> <small>THE INFORMATION CONTAINED IN THIS DRAWING IS THE SOLE PROPERTY OF VISUAL COMMUNICATIONS COMPANY, INC. ANY REPRODUCTION IN PART OR AS A WHOLE WITHOUT THE WRITTEN PERMISSION OF VISUAL COMMUNICATIONS COMPANY, INC IS PROHIBITED.</small>	FINISH	SEE NOTES								
DO NOT SCALE DRAWING										

12780 DANIELSON CT SUITE A, POWAY, CA 92064 U.S.A
PHONE: (800) 522-5546 EMAIL: vccsales@vcc-lite.com

TITLE: ASSY, 3MM MOISTURE SEALED LITEPIPE

SIZE	DWG. NO.	REV
B	LSS XXX XXX	000

SCALE: 8:1 SHEET 1 OF 1

8

7

6

5

4

3

2

1