



Chipsmall Limited consists of a professional team with an average of over 10 year of expertise in the distribution of electronic components. Based in Hongkong, we have already established firm and mutual-benefit business relationships with customers from,Europe,America and south Asia,supplying obsolete and hard-to-find components to meet their specific needs.

With the principle of “Quality Parts,Customers Priority,Honest Operation,and Considerate Service”,our business mainly focus on the distribution of electronic components. Line cards we deal with include Microchip,ALPS,ROHM,Xilinx,Pulse,ON,Everlight and Freescale. Main products comprise IC,Modules,Potentiometer,IC Socket,Relay,Connector.Our parts cover such applications as commercial,industrial, and automotives areas.

We are looking forward to setting up business relationship with you and hope to provide you with the best service and solution. Let us make a better world for our industry!



## Contact us

Tel: +86-755-8981 8866 Fax: +86-755-8427 6832

Email & Skype: info@chipsmall.com Web: www.chipsmall.com

Address: A1208, Overseas Decoration Building, #122 Zhenhua RD., Futian, Shenzhen, China





**ABSOLUTE MAXIMUM RATINGS**

(Note 1)

|  |                          |
|--|--------------------------|
| Supply Voltage ( $V_{CC}$ ) .....          | 6V                       |
| $V^+$ .....                                | 13.2V                    |
| $V^-$ .....                                | -13.2V                   |
| Input Voltage                              |                          |
| Driver .....                               | $V^+$ to $V^-$           |
| Receiver .....                             | 30V to -30V              |
| Output Voltage                             |                          |
| Driver .....                               | -30V to 30V              |
| Receiver .....                             | -0.3V to $V_{CC} + 0.3V$ |
| Short Circuit Duration                     |                          |
| $V^+$ .....                                | 30 sec                   |
| $V^-$ .....                                | 30 sec                   |
| Driver Output .....                        | Indefinite               |
| Receiver Output .....                      | Indefinite               |
| Operating Temperature Range                |                          |
| LT1341C .....                              | 0°C to 70°C              |
| Storage Temperature Range .....            | -65°C to 150°C           |
| Lead Temperature (Soldering, 10 sec) ..... | 300°C                    |

**PACKAGE/ORDER INFORMATION**

|  |   |
|--|---|
| <p>TOP VIEW</p> <p>G PACKAGE      NW PACKAGE<br/>28-LEAD PLASTIC SSOP   28-LEAD (WIDE) PDIP</p> <p>SW PACKAGE<br/>28-LEAD (WIDE) PLASTIC SO</p> <p><math>T_{JMAX} = 125^{\circ}C, \theta_{JA} = 96^{\circ}C/W</math> (G)<br/> <math>T_{JMAX} = 125^{\circ}C, \theta_{JA} = 56^{\circ}C/W</math> (NW)<br/> <math>T_{JMAX} = 125^{\circ}C, \theta_{JA} = 85^{\circ}C/W</math> (SW)</p> | ORDER PART NUMBER   |
|  | <p>LT1341CG<br/>         LT1341CNW<br/>         LT1341CSW</p> |

Consult factory for Industrial and Military grade parts.

**ELECTRICAL CHARACTERISTICS** (Note 2)

| PARAMETER                               | CONDITIONS   | MIN    | TYP       | MAX        | UNITS         |
|---|--|--------|-----------|------------|---------------|
| <b>Power Supply Generator</b>           |  |        |           |            |               |
| $V^+$ Output                            |  |        | 8.6       |            | V             |
| $V^-$ Output                            |  |        | -7        |            | V             |
| Supply Current ( $V_{CC}$ )             | (Note 3)   |        | 14        | 17         | mA            |
| Supply Current When OFF ( $V_{CC}$ )    | Shutdown (Note 4)<br>Driver Disable                                      | ●      | 0.06<br>3 | 0.150      | mA<br>mA      |
| Supply Rise Time<br>Shutdown to Turn-On | $C1 = C2 = 0.2\mu F$ ,<br>$C^+ = C^- = 0.1\mu F$                         |        | 0.2       |            | ms            |
| ON/OFF Pin Thresholds                   | Input Low Level (Device Shut Down)<br>Input High Level (Device Enabled)  | ●<br>● | 2.4       | 1.4<br>1.4 | 0.8<br>V<br>V |
| ON/OFF Pin Current                      | $0V \leq V_{ON/OFF} \leq 5V$   | ●      | -15       | 80         | $\mu A$       |
| DRIVER DISABLE Pin Thresholds           | Input Low Level (Drivers Enabled)<br>Input High Level (Drivers Disabled) | ●<br>● | 2.4       | 1.4<br>1.4 | 0.8<br>V<br>V |
| DRIVER DISABLE Pin Current              | $0V \leq V_{DRIVER\ DISABLE} \leq 5V$                                    | ●      | -10       | 500        | $\mu A$       |
| Oscillator Frequency                    |  |        | 130       |            | kHz           |



## ELECTRICAL CHARACTERISTICS (Note 2)

| PARAMETER                                   | CONDITIONS   | MIN    | TYP              | MAX        | UNITS  |                  |
|---|--|--------|------------------|------------|--|------------------|
| <b>Any Driver</b>                           |  |        |                  |            |  |                  |
| Output Voltage Swing                        | Load = 3k to GND<br>Positive<br>Negative   | ●<br>● | 5<br>7.3<br>-6.5 | -5         | V<br>V   |                  |
| Logic Input Voltage Level                   | Input Low Level ( $V_{OUT} = \text{High}$ )<br>Input High Level ( $V_{OUT} = \text{Low}$ )           | ●<br>● | 1.4<br>1.4       | 0.8        | V<br>V   |                  |
| Logic Input Current                         | $0.8V \leq V_{IN} \leq 2V$   | ●      | 5                | 20         | $\mu\text{A}$                                    |                  |
| Output Short-Circuit Current                | $V_{OUT} = 0V$   |        | $\pm 9$          | $\pm 17$   | $\text{mA}$                                      |                  |
| Output Leakage Current                      | Shutdown $V_{OUT} = \pm 30V$ (Note 4)  | ●      | 10               | 100        | $\mu\text{A}$                                    |                  |
| Data Rate (Note 7)                          | $R_L = 3k, C_L = 2500\text{pF}$<br>$R_L = 3k, C_L = 1000\text{pF}$                                   |        | 120<br>250       |            | kBaud<br>kBaud                                   |                  |
| Slew Rate                                   | $R_L = 3k, C_L = 51\text{pF}$<br>$R_L = 3k, C_L = 2500\text{pF}$                                     |        | 15<br>6          | 30         | $\text{V}/\mu\text{s}$<br>$\text{V}/\mu\text{s}$ |                  |
| Propagation Delay                           | Output Transition $t_{HL}$ High to Low (Note 5)<br>Output Transition $t_{LH}$ Low to High            |        | 0.6<br>0.5       | 1.3<br>1.3 | $\mu\text{s}$<br>$\mu\text{s}$                   |                  |
| <b>Any Receiver</b>                         |  |        |                  |            |  |                  |
| Input Voltage Thresholds                    | Input Low Threshold ( $V_{OUT} = \text{High}$ )<br>Input High Threshold ( $V_{OUT} = \text{Low}$ )   |        | 0.8<br>1.7       | 1.3<br>2.4 | V<br>V   |                  |
| Hysteresis                                  |  | ●      | 0.1              | 0.4        | 1.0  | V                |
| Input Resistance                            |  |        | 3                | 5          | 7  | $\text{k}\Omega$ |
| Output Leakage Current                      | Shutdown (Note 4) $0 \leq V_{OUT} \leq V_{CC}$   | ●      | 1                | 10         | $\mu\text{A}$                                    |                  |
| <b>Receivers 1 Through 4</b>                |  |        |                  |            |  |                  |
| Output Voltage                              | Output Low, $I_{OUT} = -1.6\text{mA}$<br>Output High, $I_{OUT} = 160\mu\text{A}$ ( $V_{CC} = 5V$ )   | ●<br>● | 0.2<br>3.5       | 0.4        | V<br>V   |                  |
| Output Short-Circuit Current                | Sinking Current, $V_{OUT} = V_{CC}$<br>Sourcing Current, $V_{OUT} = 0V$                              |        | 10               | -20<br>20  | $\text{mA}$<br>$\text{mA}$                       |                  |
| Propagation Delay                           | Output Transition $t_{HL}$ High to Low (Note 6)<br>Output Transition $t_{LH}$ Low to High            |        | 250<br>350       | 600<br>600 | ns<br>ns   |                  |
| <b>Receiver 5 (Low-<math>I_Q</math> RX)</b> |  |        |                  |            |  |                  |
| Output Voltage                              | Output Low, $I_{OUT} = -500\mu\text{A}$<br>Output High, $I_{OUT} = 160\mu\text{A}$ ( $V_{CC} = 5V$ ) | ●<br>● | 0.2<br>3.5       | 0.4        | V<br>V   |                  |
| Output Short-Circuit Current                | Sinking Current, $V_{OUT} = V_{CC}$<br>Sourcing Current, $V_{OUT} = 0V$                              |        | 2                | -4<br>4    | $\text{mA}$<br>$\text{mA}$                       |                  |
| Propagation Delay                           | Output Transition $t_{HL}$ High to Low (Note 6)<br>Output Transition $t_{LH}$ Low to High            |        | 1<br>1           | 3<br>3     | $\mu\text{s}$<br>$\mu\text{s}$                   |                  |

The ● denotes specifications which apply over the full operating temperature range ( $0^\circ\text{C} \leq T_A \leq 70^\circ\text{C}$  for commercial grade).

**Note 1:** Absolute Maximum Ratings are those values beyond which the life of the device may be impaired.

**Note 2:** Testing done at  $V_{CC} = 5V$  and  $V_{ON/OFF} = 3V$ .

**Note 3:** Supply current is measured as the average over several charge pump cycles.  $C^+ = C^- = 0.1\mu\text{F}$ ,  $C1 = C2 = 0.2\mu\text{F}$ . All outputs are open with all driver inputs tied high.

**Note 4:** Supply current and leakage measurements in shutdown are performed with  $V_{ON/OFF} \leq 0.1V$ . Supply current measurements using driver disable are performed with  $V_{DRIVER\ DISABLE} \geq 3V$ .

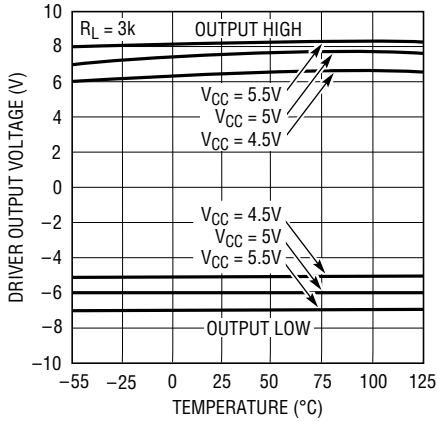
**Note 5:** For driver delay measurements,  $R_L = 3k$  and  $C_L = 51\text{pF}$ . Trigger points are set between the driver's input logic threshold and the output transition to the zero crossing ( $t_{HL} = 1.4V$  to  $0V$  and  $t_{LH} = 1.4V$  to  $0V$ ).

**Note 6:** For receiver delay measurements,  $C_L = 51\text{pF}$ . Trigger points are set between the receiver's input logic threshold and the output transition to standard TTL/CMOS logic threshold ( $t_{HL} = 1.3V$  to  $2.4V$  and  $t_{LH} = 1.7V$  to  $0.8V$ ).

**Note 7:** Data rate operation guaranteed by slew rate, short-circuit current and propagation delay tests.

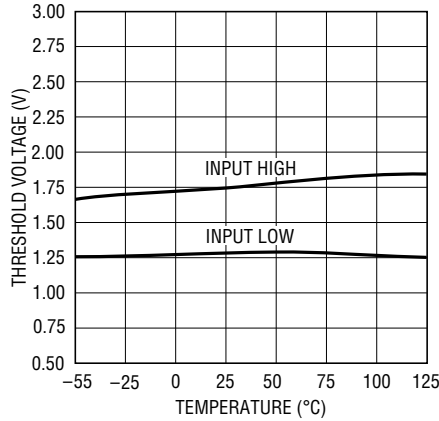
# TYPICAL PERFORMANCE CHARACTERISTICS

**Driver Output Voltage**



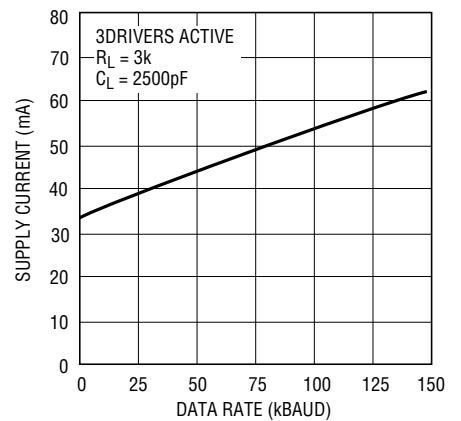
LT1341 • TPC01

**Receiver Input Thresholds**



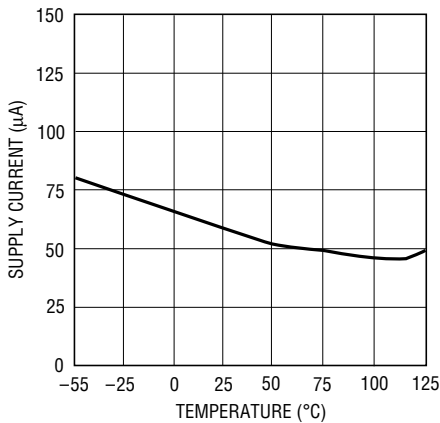
LT1341 • TPC02

**Supply Current vs Data Rate**



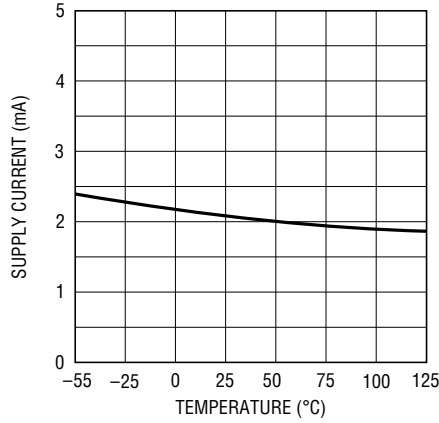
LT1341 • TPC03

**Supply Current in Shutdown**



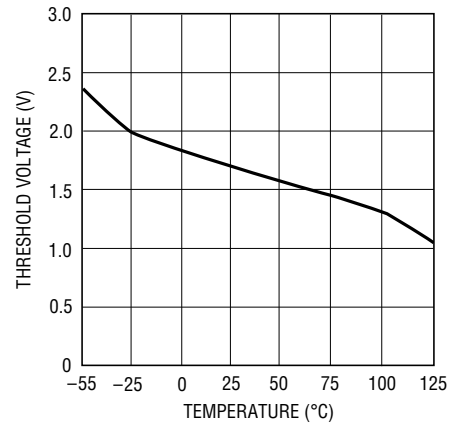
LT1341 • TPC04

**Supply Current in Driver Disable**



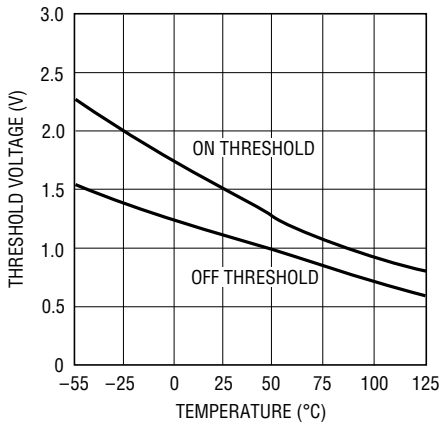
LT1341 • TPC05

**DRIVER DISABLE Threshold**



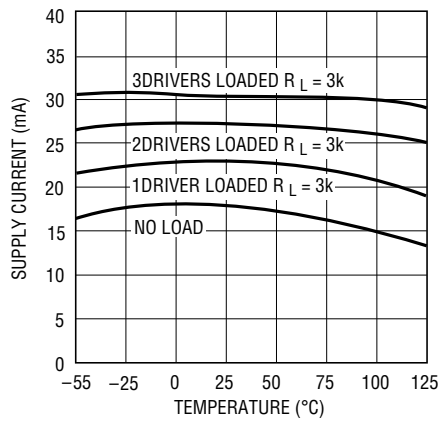
LT1341 • TPC06

**ON/OFF Thresholds**



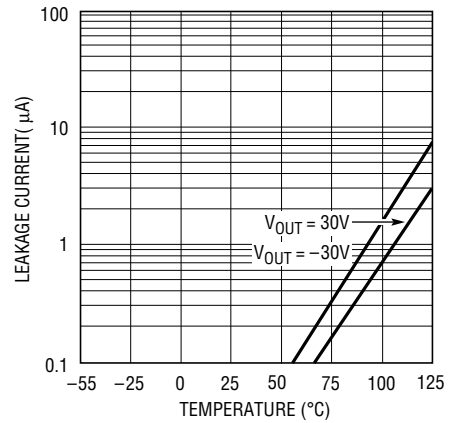
LT1341 • TPC07

**Supply Current**



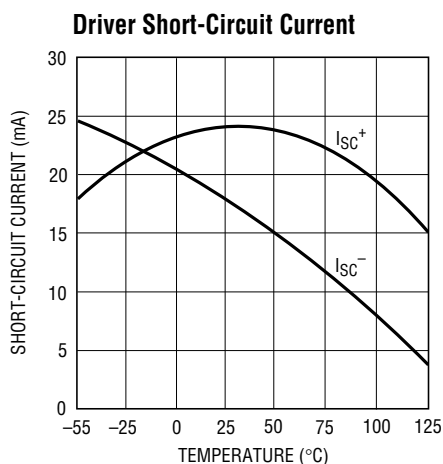
LT1341 • TPC08

**Driver Leakage in Shutdown**

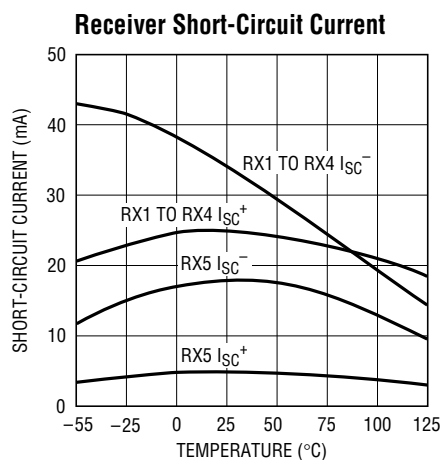


LT1341 • TPC09

## TYPICAL PERFORMANCE CHARACTERISTICS

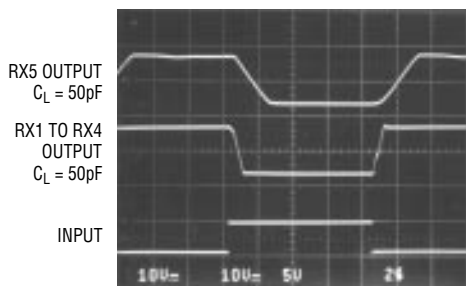


LT1341 • TPC10



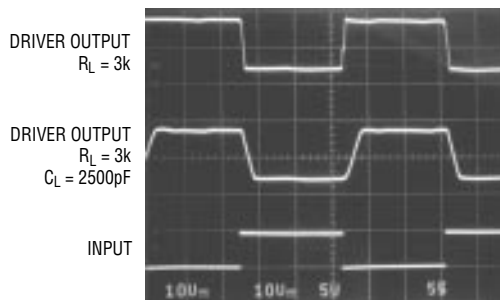
LT1341 • TPC11

### Receiver Output Waveforms



LT1341 • TPC12

### Driver Output Waveforms



LT1341 • TPC13

## PIN FUNCTIONS

**V<sub>CC</sub>**: 5V Input Supply Pin. This pin should be decoupled with a 0.1μF ceramic capacitor close to the package pin. Insufficient supply bypassing can lead to low output drive levels and erratic charge pump operation.

**GND**: Ground Pin.

**ON/OFF**: A TTL/CMOS logic low puts the device in the low power shutdown mode. All of the drivers and four receivers go to a high impedance state. Receiver RX5 remains active while the transceiver is in shutdown. The transceiver consumes only 60μA of supply current while in shutdown. A logic high fully enables the transceiver.

**DRIVER DISABLE**: This pin provides an alternate control for the charge pump and RS232 drivers. A logic high on this pin shuts down the charge pump and places all drivers

in a high impedance state. All receivers remain active under these conditions. Floating the driver disable pin or driving it to a logic low level fully enables the transceiver. Supply current drops to 3mA when in driver disable mode. A logic low on the ON/OFF pin supersedes the state of the DRIVER DISABLE pin.

**V<sup>+</sup>**: Positive Supply Output (RS232 Drivers).  $V^+ \approx 2V_{CC} - 1.5V$ . This pin requires an external charge storage capacitor  $C \geq 0.1\mu F$ , tied to ground or  $V_{CC}$ . Larger value capacitors may be used to reduce supply ripple. With multiple transceivers, the  $V^+$  and  $V^-$  pins may be paralleled into common capacitors. For large numbers of transceivers, increasing the size of the storage capacitors is recommended to reduce ripple.

## PIN FUNCTIONS

**V<sup>-</sup>:** Negative Supply Output (RS232 Drivers).  $V^- \approx -(2V_{CC} - 2.5V)$ . This pin requires an external charge storage capacitor  $C \geq 0.1\mu F$ . To reduce supply ripple, increase the size of the storage capacitor. With multiple transceivers, the  $V^+$  and  $V^-$  pins may be paralleled into common filter capacitors.

**C1<sup>+</sup>, C1<sup>-</sup>, C2<sup>+</sup>, C2<sup>-</sup>:** Commutating Capacitor Inputs. These pins require two external capacitors  $C \geq 0.2\mu F$ : one from  $C1^+$  to  $C1^-$ , and another from  $C2^+$  to  $C2^-$ . The capacitor's effective series resistance should be less than  $2\Omega$ . For  $C \geq 1\mu F$ , low ESR tantalum capacitors work well in this application, although small value ceramic capacitors may be used with a minimal reduction in charge pump compliance. When a 12V supply is available,  $C1$  may be omitted. Connect the 12V supply to  $C1^+$  and  $V^+$ . The 12V supply should be decoupled with a  $0.1\mu F$  ceramic capacitor.

**DRIVER IN:** RS232 Driver Input Pins. These inputs are TTL/CMOS compatible. Tie unused inputs to  $V_{CC}$ .

**DRIVER OUT:** Driver Outputs at RS232 Voltage Levels. Outputs are in a high impedance state when in shutdown mode,  $V_{CC} = 0V$ , or when the DRIVER DISABLE pin is active. Outputs are fully short-circuit protected from  $V_{OUT} = V^- + 30V$  to  $V_{OUT} = V^+ - 30V$ . Applying higher voltages will not damage the device if the over-

drive is moderately current limited. Short circuits on one output can load the power supply generator and may disrupt the signal levels of the other outputs. The driver outputs are protected against ESD to  $\pm 10kV$  for human body model discharges.

**RX IN:** Receiver Inputs. These pins accept RS232 level signals ( $\pm 30V$ ) into a protected 5k terminating resistor. The receiver inputs are protected against ESD to  $\pm 10kV$  for human body model discharges. Each receiver provides 0.4V of hysteresis for noise immunity.

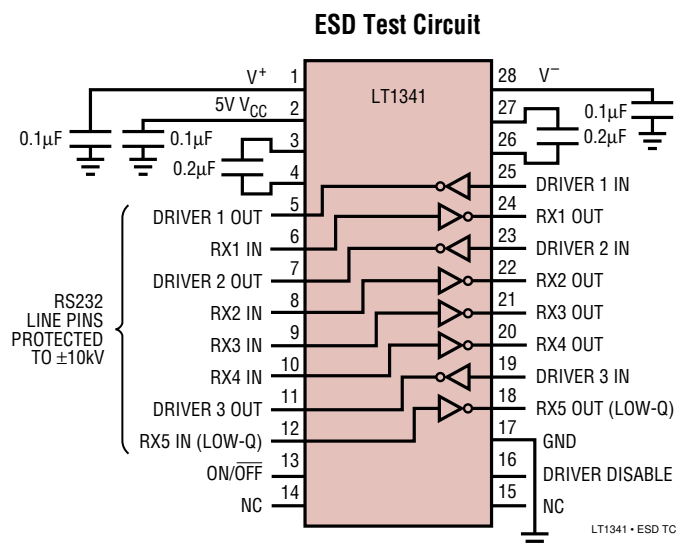
**RX OUT:** Receiver Outputs with TTL/CMOS Voltage Levels. Outputs are in a high impedance state when in shutdown mode to allow data line sharing. Outputs, including LOW-Q RX OUT, are fully short-circuit protected to ground or  $V_{CC}$  with the power on, off, or in shutdown mode.

**LOW Q-CURRENT RX IN:** Low Power Receiver Input. This special receiver remains active when the part is in shutdown mode, consuming typically  $60\mu A$ . This receiver has the same input and protection characteristics as the other receivers.

**LOW Q-CURRENT RX OUT:** Low Power Receiver Output. This pin produces the same TTL/CMOS output voltage levels with slightly decreased speed and short-circuit current.

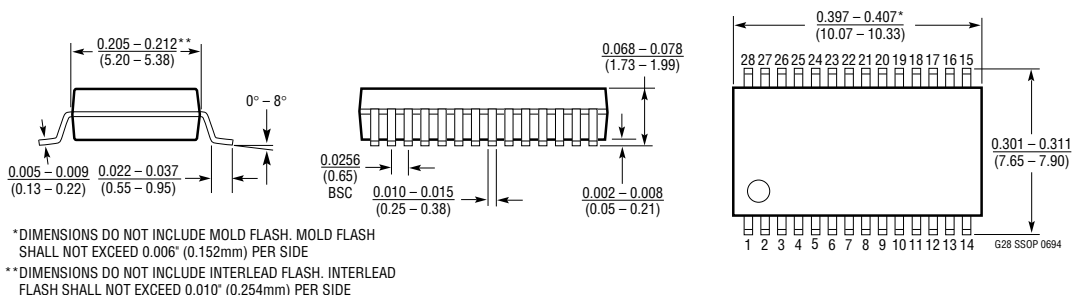
## ESD PROTECTION

The RS232 line inputs of the LT1341 have on-chip protection from ESD transients up to  $\pm 10kV$ . The protection structures act to divert the static discharge safely to system ground. In order for the ESD protection to function effectively, the power supply and ground pins of the LT1341 must be connected to ground through low impedances. The power supply decoupling capacitors and charge pump storage capacitors provide this low impedance in normal application of the circuit. The only constraint is that low ESR capacitors must be used for bypassing and charge storage. ESD testing must be done with pins  $V_{CC}$ ,  $V^+$ ,  $V^-$  and GND shorted to ground or connected with low ESR capacitors.

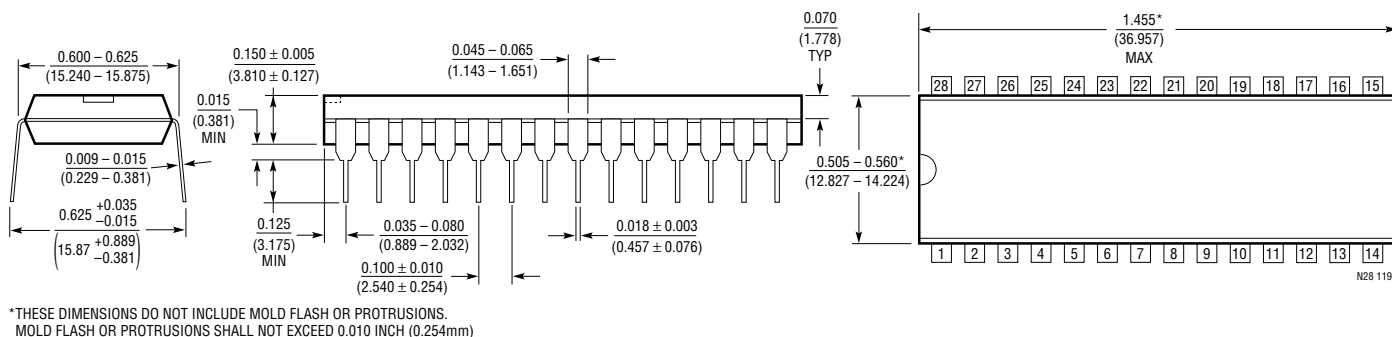


**PACKAGE DESCRIPTION** Dimensions in inches (millimeters) unless otherwise noted.

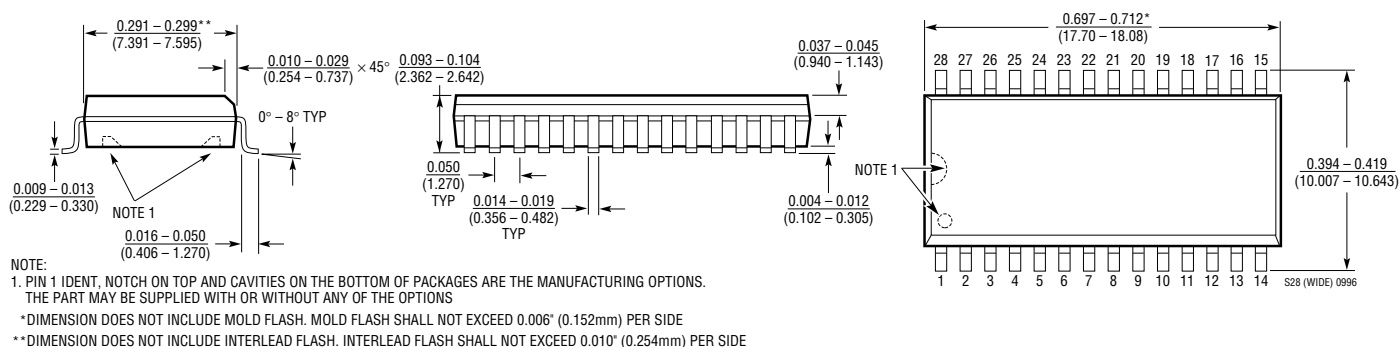
**G Package**  
**28-Lead Plastic SSOP (0.209)**  
 (LTC DWG # 05-08-1640)



**NW Package**  
**28-Lead PDIP (Wide 0.600)**  
 (LTC DWG # 05-08-1520)



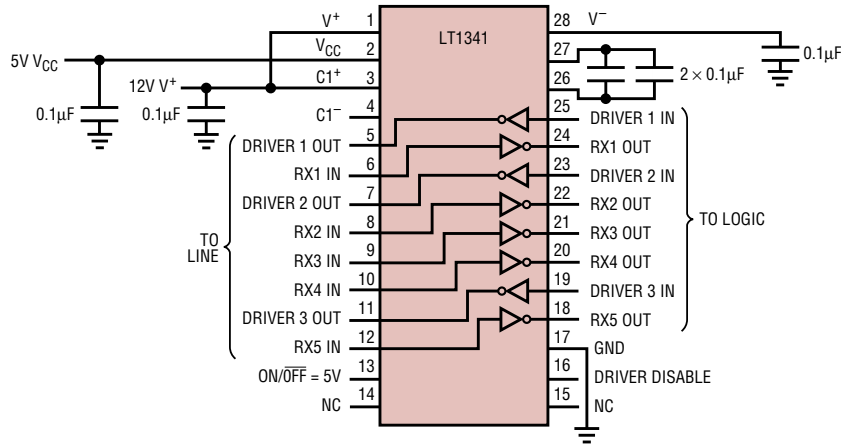
**SW Package**  
**28-Lead Plastic Small Outline (Wide 0.300)**  
 (LTC DWG # 05-08-1620)





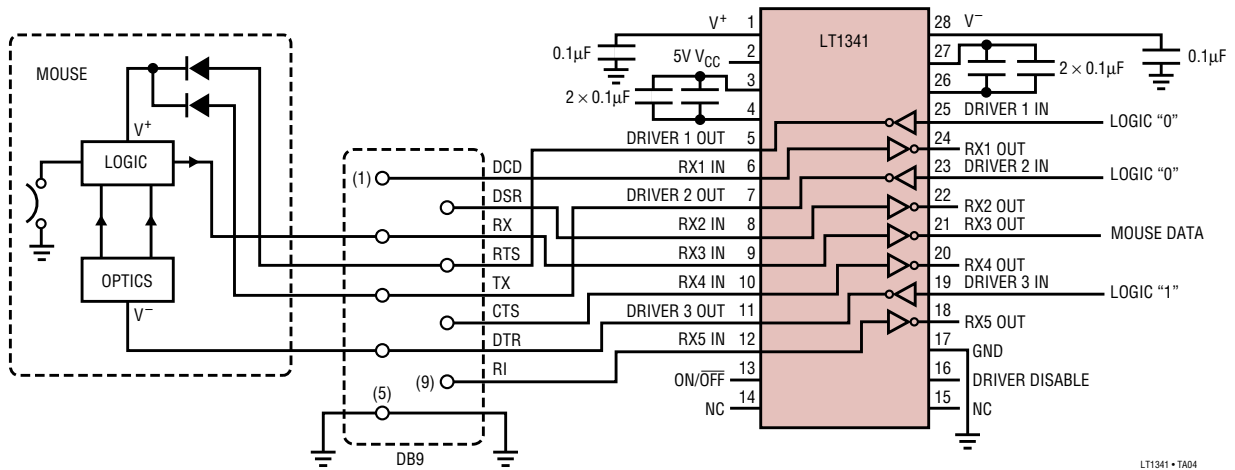
# TYPICAL APPLICATIONS

Operation Using 5V and 12V Power Supplies



LT1341 • TA03

Typical Mouse Driving Application



LT1341 • TA04

## RELATED PARTS

| PART NUMBER   | DESCRIPTION                                      | COMMENTS             |
|---------------|--|----------------------|
| LT1137A       | 3 Driver/5 Receiver RS232 Transceiver            | ±15kV ESD Protection |
| LTC1334       | RS232/RS485 Multiprotocol Transceiver            |                      |
| LTC1347       | 3 Driver/5 Receiver Micropower RS232 Transceiver |                      |
| LT1780/LT1781 | 2 Driver/2 Receiver RS232 Transceivers           | ±15kV ESD Protection |