



Chipsmall Limited consists of a professional team with an average of over 10 year of expertise in the distribution of electronic components. Based in Hongkong, we have already established firm and mutual-benefit business relationships with customers from,Europe,America and south Asia,supplying obsolete and hard-to-find components to meet their specific needs.

With the principle of “Quality Parts,Customers Priority,Honest Operation,and Considerate Service”,our business mainly focus on the distribution of electronic components. Line cards we deal with include Microchip,ALPS,ROHM,Xilinx,Pulse,ON,Everlight and Freescale. Main products comprise IC,Modules,Potentiometer,IC Socket,Relay,Connector.Our parts cover such applications as commercial,industrial, and automotives areas.

We are looking forward to setting up business relationship with you and hope to provide you with the best service and solution. Let us make a better world for our industry!



Contact us

Tel: +86-755-8981 8866 Fax: +86-755-8427 6832

Email & Skype: info@chipsmall.com Web: www.chipsmall.com

Address: A1208, Overseas Decoration Building, #122 Zhenhua RD., Futian, Shenzhen, China



Precision, Wide Voltage Range Gain Selectable Amplifier

FEATURES

- Pin Configurable as a Difference Amplifier, Inverting Amplifier or Noninverting Amplifier
- 91dB Minimum DC CMRR (Gain = 1)
- 65dB AC CMRR (at 100kHz, Gain = 1)
- 0.006% (60ppm) Maximum Gain Error (Gain = 1)
- 1ppm/°C Maximum Gain Error Drift
- 2ppm Maximum Gain Nonlinearity
- ±160V Common Mode Voltage Range
- Wide Supply Voltage Range: 3.3V to 50V
- Rail-to-Rail Output
- 350µA Supply Current
- 60µV Maximum Op Amp Offset Voltage
- 1.1MHz -3dB Bandwidth (Gain = 1)
- Low-Power Shutdown: 20µA
- Space-Saving MSOP and DFN Packages

APPLICATIONS

- High Side or Low Side Current Sensing
- Bidirectional Wide Common Mode Range Current Sensing
- High Voltage to Low Voltage Level Translation
- Industrial Data-Acquisition Front-Ends
- Replacement for Isolation Circuits
- Differential to Single-Ended Conversion

DESCRIPTION

The LT[®]1997-3 combines a precision operational amplifier with highly-matched resistors to form a one-chip solution for accurately amplifying voltages. Gains from -13 to +14 with accuracy of 0.006% (60ppm) can be achieved using no external components. The LT1997-3 is particularly well suited for use as a difference amplifier, where the excellent resistor matching results in a common mode rejection ratio of greater than 91dB.

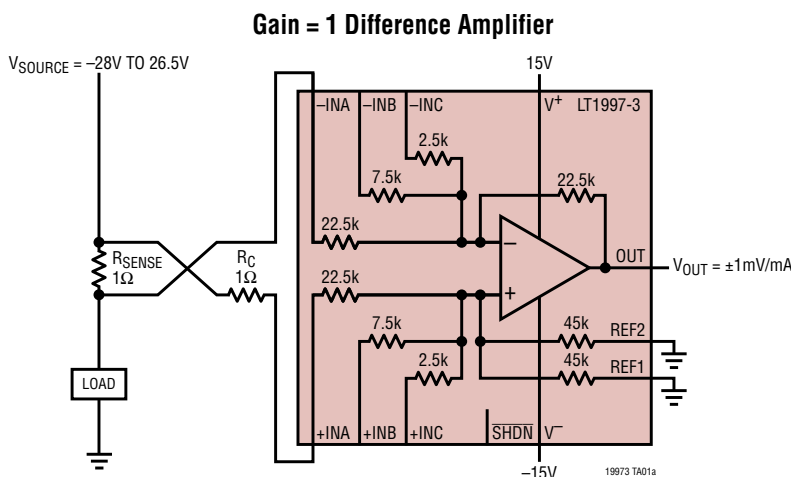
The amplifier features a 60µV maximum input offset voltage and a -3dB bandwidth of 1.1MHz (Gain = 1). The LT1997-3 operates from any supply voltage from 3.3V to 50V and draws only 350µA supply current. The output typically swings to within 100mV of either supply rail.

The resistors maintain their excellent matching over temperature; the matching temperature coefficient is guaranteed less than 1ppm/°C. The resistors are extremely linear with voltage, resulting in a gain nonlinearity of less than 2ppm.

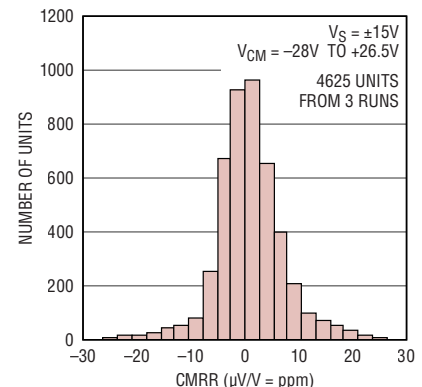
The LT1997-3 is fully specified at 5V and ±15V supplies and from -40°C to 125°C. The device is available in space saving 16-lead MSOP and 4mm × 4mm DFN14 packages.

LT, LT, LTC, LTM, Linear Technology, Over-The-Top and the Linear logo are registered trademarks of Analog Devices, Inc. All other trademarks are the property of their respective owners.

TYPICAL APPLICATION



Typical Distribution of CMRR (G = 1)



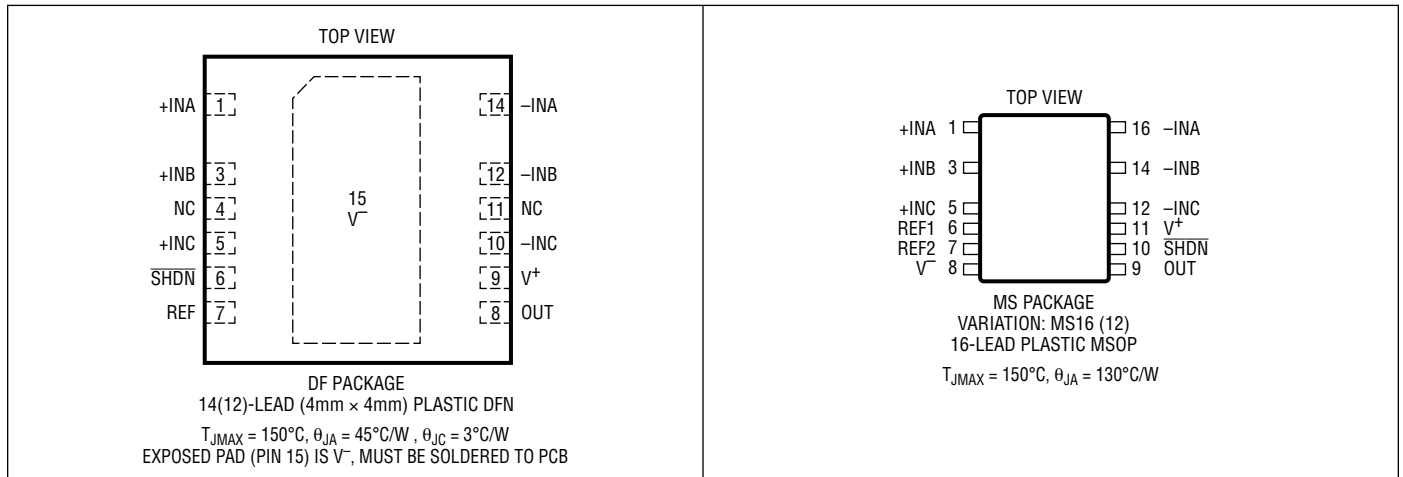
ABSOLUTE MAXIMUM RATINGS

(Note 1)

Supply Voltages (V^+ to V^-).....	60V
+INA, -INA (Note 2).....	$V^- \pm 160V$
+INB, -INB, +INC, -INC (Note 2).....	$(V^- + 80V)$ to $(V^- - 0.3V)$
REF, REF1, REF2.....	$(V^- + 60V)$ to $(V^- - 0.3V)$
SHDN.....	$(V^+ + 0.3V)$ to $(V^- - 0.3V)$
Output Current (Continuous) (Note 6).....	50mA

Output Short-Circuit Duration (Note 3).....	Thermally Limited
Temperature Range (Notes 4, 5) LT1997I-3.....	-40 to 85°C
LT1997H-3.....	-40 to 125°C
Maximum Junction Temperature.....	150°C
Storage Temperature Range.....	-65 to 150°C
MSOP Lead Temperature (Soldering, 10 sec).....	300°C

PIN CONFIGURATION



ORDER INFORMATION <http://www.linear.com/product/LT1997-3#orderinfo>

LEAD FREE FINISH	TAPE AND REEL	PART MARKING*	PACKAGE DESCRIPTION	SPECIFIED TEMPERATURE RANGE
LT1997IDF-3#PBF	LT1997IDF-3#TRPBF	19973	14-Lead (4mm × 4mm) Plastic DFN	-40°C to 85°C
LT1997HDF-3#PBF	LT1997HDF-3#TRPBF	19973	14-Lead (4mm × 4mm) Plastic DFN	-40°C to 125°C
LT1997IMS-3#PBF	LT1997IMS-3#TRPBF	19973	16-Lead Plastic MSOP	-40°C to 85°C
LT1997HMS-3#PBF	LT1997HMS-3#TRPBF	19973	16-Lead Plastic MSOP	-40°C to 125°C

*The temperature grade is identified by a label on the shipping container. Consult LTC Marketing for parts specified with wider operating temperature ranges. Parts ending with PBF are RoHS and WEEE compliant.

For more information on lead free part marking, go to: <http://www.linear.com/leadfree/>

For more information on tape and reel specifications, go to: <http://www.linear.com/tapeandreeel/>.

ELECTRICAL CHARACTERISTICS The ● denotes the specifications which apply over the full operating temperature range, $-40^{\circ}\text{C} < T_A < 85^{\circ}\text{C}$ for I-grade parts, $-40^{\circ}\text{C} < T_A < 125^{\circ}\text{C}$ for H-grade parts, otherwise specifications are at $T_A = 25^{\circ}\text{C}$. Difference Amplifier Configuration, $V^+ = 15\text{V}$, $V^- = -15\text{V}$, $V_{\text{CM}} = V_{\text{OUT}} = V_{\text{REF}} = V_{\text{REF1}} = V_{\text{REF2}} = 0\text{V}$. V_{CMOP} is the common mode voltage of the internal op amp.

SYMBOL	PARAMETER	CONDITIONS	MIN	TYP	MAX	UNITS		
ΔG	Gain Error	$V_{\text{OUT}} = \pm 10\text{V}$ $G = 1$	●	± 0.001	± 0.006 ± 0.012	% %		
		$G = 3$	●	± 0.001	± 0.015 ± 0.02	% %		
		$G = 9$	●	± 0.002	± 0.03 ± 0.04	% %		
$\Delta G/\Delta T$	Gain Drift vs Temperature (Note 6)	$V_{\text{OUT}} = \pm 10\text{V}$	●	± 0.2	± 1	ppm/ $^{\circ}\text{C}$		
GNL	Gain Nonlinearity	$V_{\text{OUT}} = \pm 10\text{V}$	●	± 1	± 2 ± 3	ppm ppm		
V_{OS}	Op Amp Offset Voltage (Note 9)	$V^- < V_{\text{CMOP}} < V^+ - 1.75\text{V}$	●	± 20	± 60 ± 200	μV μV		
$\Delta V_{\text{OS}}/\Delta T$	Op Amp Offset Voltage Drift (Note 6)	$V^- < V_{\text{CMOP}} < V^+ - 1.75\text{V}$	●	± 0.5	± 1.5	$\mu\text{V}/^{\circ}\text{C}$		
I_{B}	Op Amp Input Bias Current	$V^- + 0.25\text{V} < V_{\text{CMOP}} < V^+ - 1.75\text{V}$	●	-5 ± 2 -15	5 15	nA nA		
I_{OS}	Op Amp Input Offset Current	$V^- + 0.25\text{V} < V_{\text{CMOP}} < V^+ - 1.75\text{V}$	●	-3 ± 0.5 -10	3 10	nA nA		
R_{IN}	Input Impedance (Note 8)	Common Mode						
		$G = 1$	●	19	22.5	26	k Ω	
		$G = 3$	●	12.6	15	17.4	k Ω	
		$G = 9$	●	10.5	12.5	14.5	k Ω	
		Differential						
		$G = 1$	●	38	45	52	k Ω	
CMRR	Common Mode Rejection Ratio, MS16 Package	$G = 1, V_{\text{CM}} = -28\text{V to } +26.5\text{V}$	●	91 87	106	dB dB		
		$G = 3, V_{\text{CM}} = -15\text{V to } +17.6\text{V}$	●	90 86	99	dB dB		
		$G = 9, V_{\text{CM}} = -15\text{V to } +14.7\text{V}$	●	96 94	112	dB dB		
		CMRR	Common Mode Rejection Ratio, DF14 Package	$G = 1, V_{\text{CM}} = -28\text{V to } +26.5\text{V}$	●	91 87	101	dB dB
				$G = 1, V_{\text{CM}} = -90\text{V to } +90\text{V}, +\text{INB} = -\text{INB} = 0\text{V}, V_{\text{S}} = \pm 25\text{V}$	●	83 80	94	dB dB
				$G = 1, V_{\text{CM}} = -120\text{V to } +120\text{V}, +\text{INC} = -\text{INC} = 0\text{V}, V_{\text{S}} = \pm 25\text{V}, T_A = -40^{\circ}\text{C to } 125^{\circ}\text{C}$	●	81 77	91	dB dB
				$G = 1, V_{\text{CM}} = -160\text{V to } +160\text{V}, +\text{INC} = -\text{INC} = 0\text{V}, V_{\text{S}} = \pm 25\text{V}, T_A = -40^{\circ}\text{C to } 85^{\circ}\text{C}$	●	81 78	91	dB dB
				$G = 3, V_{\text{CM}} = -15\text{V to } +17.6\text{V}$	●	90 86	98	dB dB
				$G = 9, V_{\text{CM}} = -15\text{V to } +14.7\text{V}$	●	96 94	103	dB dB
V_{CM}	Input Voltage Range (Note 7)	+INA/-INA	●	-30	26.5	V		
		+INA/-INA, +INC/-INC Connected to Ground	●	-160	160	V		
		+INB/-INB	●	-15	17.6	V		
		+INC/-INC	●	-15	14.7	V		

ELECTRICAL CHARACTERISTICS The ● denotes the specifications which apply over the full operating temperature range, $-40^{\circ}\text{C} < T_A < 85^{\circ}\text{C}$ for I-grade parts, $-40^{\circ}\text{C} < T_A < 125^{\circ}\text{C}$ for H-grade parts, otherwise specifications are at $T_A = 25^{\circ}\text{C}$. Difference Amplifier Configuration, $V^+ = 15\text{V}$, $V^- = -15\text{V}$, $V_{\text{CM}} = V_{\text{OUT}} = V_{\text{REF}} = V_{\text{REF1}} = V_{\text{REF2}} = 0\text{V}$. V_{CMOP} is the common mode voltage of the internal op amp.

SYMBOL	PARAMETER	CONDITIONS	MIN	TYP	MAX	UNITS
$\Delta R/R$	Reference Divider Matching Error $\frac{\Delta R}{R} = \frac{R_{\text{REF1}} - R_{\text{REF2}}}{\left(\frac{R_{\text{REF1}} + R_{\text{REF2}}}{2}\right)}$	Available in MS16 Package Only	●	±0.001	±0.006 ±0.012	% %
PSRR	Power Supply Rejection Ratio	$V_S = \pm 1.65\text{V}$ to $\pm 25\text{V}$, $V_{\text{CM}} = V_{\text{OUT}} = \text{Mid-Supply}$ (Note 9)	●	114	124	dB
e_{ni}	Input Referred Noise Voltage Density	$f = 1\text{kHz}$ $G = 1$ $G = 3$ $G = 9$		50 30 22		$\text{nV}/\sqrt{\text{Hz}}$ $\text{nV}/\sqrt{\text{Hz}}$ $\text{nV}/\sqrt{\text{Hz}}$
	Input Referred Noise Voltage	$f = 0.1\text{Hz}$ to 10Hz $G = 1$ $G = 3$ $G = 9$		1.4 1 0.8		$\mu\text{V}_{\text{P-P}}$ $\mu\text{V}_{\text{P-P}}$ $\mu\text{V}_{\text{P-P}}$
V_{OL}	Output Voltage Swing Low (Referred to V^-)	No Load $I_{\text{SINK}} = 5\text{mA}$	● ●	100 280	150 500	mV mV
V_{OH}	Output Voltage Swing High (Referred to V^+)	No Load $I_{\text{SOURCE}} = 5\text{mA}$	● ●	100 530	180 900	mV mV
I_{SC}	Short-Circuit Output Current	50Ω to V^+ 50Ω to V^-	● ●	10 10	28 30	mA mA
SR	Slew Rate	$\Delta V_{\text{OUT}} = \pm 5\text{V}$	●	0.45	0.75	V/ μs
BW	Small Signal -3dB Bandwidth	$G = 1$ $G = 3$ $G = 9$		1100 700 300		kHz kHz kHz
t_s	Settling Time	$G = 1$ 0.1%, $\Delta V_{\text{OUT}} = 10\text{V}$ 0.01%, $\Delta V_{\text{OUT}} = 10\text{V}$ $G = 3$ 0.1%, $\Delta V_{\text{OUT}} = 10\text{V}$ 0.01%, $\Delta V_{\text{OUT}} = 10\text{V}$ $G = 9$ 0.1%, $\Delta V_{\text{OUT}} = 10\text{V}$ 0.01%, $\Delta V_{\text{OUT}} = 10\text{V}$		14.6 95 13.6 29 13.8 29		μs μs μs μs μs μs
V_S	Supply Voltage		●	3 3.3	50 50	V V
t_{ON}	Turn-On Time			16		μs
V_{IL}	SHDN Input Logic Low (Referred to V^+)		●		-2.5	V
V_{IH}	SHDN Input Logic High (Referred to V^+)		●	-1.2		V
I_{SHDN}	SHDN Pin Current		●	-10	-15	μA
I_S	Supply Current	Active, $V_{\text{SHDN}} \geq V^+ - 1.2\text{V}$ Active, $V_{\text{SHDN}} \geq V^+ - 1.2\text{V}$ Shutdown, $V_{\text{SHDN}} \leq V^+ - 2.5\text{V}$ Shutdown, $V_{\text{SHDN}} \leq V^+ - 2.5\text{V}$	● ● ● ●	350 20	400 25 70	μA μA μA μA

ELECTRICAL CHARACTERISTICS The ● denotes the specifications which apply over the full operating temperature range, $-40^{\circ}\text{C} < T_A < 85^{\circ}\text{C}$ for I-grade parts, $-40^{\circ}\text{C} < T_A < 125^{\circ}\text{C}$ for H-grade parts, otherwise specifications are at $T_A = 25^{\circ}\text{C}$. Difference Amplifier Configuration, $V^+ = 5\text{V}$, $V^- = 0\text{V}$, $V_{\text{CM}} = V_{\text{OUT}} = V_{\text{REF}} = V_{\text{REF1}} = V_{\text{REF2}} = \text{Mid-Supply}$. V_{CMOP} is the common mode voltage of the internal op amp.

SYMBOL	PARAMETER	CONDITIONS	MIN	TYP	MAX	UNITS	
ΔG	Gain Error	$V_{\text{OUT}} = 1\text{V to } 4\text{V}$ $G = 1$	●	± 0.001	± 0.006 ± 0.012	% %	
		$G = 3$	●	± 0.001	± 0.015 ± 0.02	% %	
		$G = 9$	●	± 0.002	± 0.03 ± 0.04	% %	
$\Delta G/\Delta T$	Gain Drift vs Temperature (Note 6)	$V_{\text{OUT}} = 1\text{V to } 4\text{V}$	●	± 0.2	± 1	ppm/ $^{\circ}\text{C}$	
GNL	Gain Nonlinearity	$V_{\text{OUT}} = 1\text{V to } 4\text{V}$		± 1		ppm	
V_{OS}	Op Amp Offset Voltage (Note 9)	$V^- < V_{\text{CMOP}} < V^+ - 1.75\text{V}$	●	± 20	± 60 ± 200	μV μV	
$\Delta V_{\text{OS}}/\Delta T$	Op Amp Offset Voltage Drift (Note 6)	$V^- < V_{\text{CMOP}} < V^+ - 1.75\text{V}$	●	± 0.5	± 1.5	$\mu\text{V}/^{\circ}\text{C}$	
I_{B}	Op Amp Input Bias Current	$V^- + 0.25\text{V} < V_{\text{CMOP}} < V^+ - 1.75\text{V}$	●	-5	± 2	5	nA
			●	-15		15	nA
I_{OS}	Op Amp Input Offset Current	$V^- + 0.25\text{V} < V_{\text{CMOP}} < V^+ - 1.75\text{V}$	●	-3	± 0.5	3	nA
R_{IN}	Input Impedance (Note 8)	Common Mode	●	19	22.5	26	k Ω
			●	12.6	15	17.4	k Ω
			●	10.5	12.5	14.5	k Ω
		Differential	●	38	45	52	k Ω
			●	12.6	15	17.4	k Ω
			●	4.2	5	5.8	k Ω
CMRR	Common Mode Rejection Ratio, MS16 Package	$G = 1, V_{\text{CM}} = -2.5\text{V to } +4.0\text{V}$	●	90	100		dB
			●	88			dB
		$G = 3, V_{\text{CM}} = 0\text{V to } +3.5\text{V}$	●	90	103		dB
●	87				dB		
CMRR	Common Mode Rejection Ratio, DF14 Package	$G = 1, V_{\text{CM}} = -2.5\text{V to } +4.0\text{V}$	●	90	96		dB
			●	88			dB
		$G = 3, V_{\text{CM}} = 0\text{V to } +3.5\text{V}$	●	90	101		dB
●	87				dB		
CMRR	Common Mode Rejection Ratio, DF14 Package	$G = 9, V_{\text{CM}} = 0\text{V to } +3.3\text{V}$	●	96	108		dB
			●	94			dB
		$G = 1, V_{\text{CM}} = -2.5\text{V to } +4.0\text{V}$	●	90	96		dB
●	88				dB		
CMRR	Common Mode Rejection Ratio, DF14 Package	$G = 3, V_{\text{CM}} = 0\text{V to } +3.5\text{V}$	●	90	101		dB
			●	87			dB
		$G = 9, V_{\text{CM}} = 0\text{V to } +3.3\text{V}$	●	96	107		dB
●	94				dB		
$\Delta R/R$	Reference Divider Matching Error $\frac{\Delta R}{R} = \frac{R_{\text{REF1}} - R_{\text{REF2}}}{\left(\frac{R_{\text{REF1}} + R_{\text{REF2}}}{2}\right)}$	Available in MS16 Package Only	●	± 0.001	± 0.006 ± 0.012	% %	
PSRR	Power Supply Rejection Ratio	$V_{\text{S}} = \pm 1.65\text{V to } \pm 25\text{V}$, $V_{\text{CM}} = V_{\text{OUT}} = \text{Mid-Supply}$ (Note 9)	●	114	124	dB	
e_{ni}	Input Referred Noise Voltage Density	$f = 1\text{kHz}$					
		$G = 1$		50		nV/ $\sqrt{\text{Hz}}$	
		$G = 3$		30		nV/ $\sqrt{\text{Hz}}$	
		$G = 9$		22		nV/ $\sqrt{\text{Hz}}$	

ELECTRICAL CHARACTERISTICS

The ● denotes the specifications which apply over the full operating temperature range, $-40^{\circ}\text{C} < T_A < 85^{\circ}\text{C}$ for I-grade parts, $-40^{\circ}\text{C} < T_A < 125^{\circ}\text{C}$ for H-grade parts, otherwise specifications are at $T_A = 25^{\circ}\text{C}$. Difference Amplifier Configuration, $V^+ = 5\text{V}$, $V^- = 0\text{V}$, $V_{\text{CM}} = V_{\text{OUT}} = V_{\text{REF}} = V_{\text{REF1}} = V_{\text{REF2}} = \text{Mid-Supply}$. V_{CMOP} is the common mode voltage of the internal op amp.

SYMBOL	PARAMETER	CONDITIONS	MIN	TYP	MAX	UNITS
	Input Referred Noise Voltage	$f = 0.1\text{Hz to } 10\text{Hz}$ $G = 1$ $G = 3$ $G = 9$		1.4 1 0.8		$\mu\text{V}_{\text{P-P}}$ $\mu\text{V}_{\text{P-P}}$ $\mu\text{V}_{\text{P-P}}$
V_{OL}	Output Voltage Swing Low (Referred to V^-)	No Load $I_{\text{SINK}} = 5\text{mA}$	● ●	15 280	50 500	mV mV
V_{OH}	Output Voltage Swing High (Referred to V^+)	No Load $I_{\text{SOURCE}} = 5\text{mA}$	● ●	15 450	50 800	mV mV
I_{SC}	Short-Circuit Output Current	50Ω to V^+ 50Ω to V^-	● ●	10 10	27 25	mA mA
SR	Slew Rate	$\Delta V_{\text{OUT}} = 3\text{V}$	●	0.45	0.75	V/ μs
BW	Small signal -3dB Bandwidth	$G = 1$ $G = 3$ $G = 9$		1100 700 300		kHz kHz kHz
t_{S}	Settling Time	$G = 1$ 0.1%, $\Delta V_{\text{OUT}} = 2\text{V}$ 0.01%, $\Delta V_{\text{OUT}} = 2\text{V}$ $G = 3$ 0.1%, $\Delta V_{\text{OUT}} = 2\text{V}$ 0.01%, $\Delta V_{\text{OUT}} = 2\text{V}$ $G = 9$ 0.1%, $\Delta V_{\text{OUT}} = 2\text{V}$ 0.01%, $\Delta V_{\text{OUT}} = 2\text{V}$		5.4 91 6 21 7 36		μs μs μs μs μs μs
V_{S}	Supply Voltage		●	3 3.3	50 50	V V
t_{ON}	Turn-On Time			22		μs
V_{IL}	SHDN Input Logic Low (Referred to V^+)		●		-2.5	V
V_{IH}	SHDN Input Logic High (Referred to V^+)		●	-1.2		V
I_{SHDN}	SHDN Pin Current		●	-10	-15	μA
I_{S}	Supply Current	Active, $V_{\text{SHDN}} \geq V^+ - 1.2\text{V}$ Active, $V_{\text{SHDN}} \geq V^+ - 1.2\text{V}$ Shutdown, $V_{\text{SHDN}} \leq V^+ - 2.5\text{V}$ Shutdown, $V_{\text{SHDN}} \leq V^+ - 2.5\text{V}$	● ● ● ●	330 15	370 20 40	μA μA μA μA

Note 1: Stresses beyond those listed under Absolute Maximum Ratings may cause permanent damage to the device. Exposure to any Absolute Maximum Rating condition for extended periods may affect device reliability and lifetime.

Note 2: See “Common Mode Voltage Range” and “High Common Mode Voltage Difference Amplifiers” in the Applications Information section of this data sheet for other considerations when taking +INA/-INA pins to $\pm 16\text{V}$ and +INB/-INB/+INC/-INC pins to $+80\text{V}$.

Note 3: A heat sink may be required to keep the junction temperature below absolute maximum. This depends on the power supply, input voltages and the output current.

Note 4: The LT1997I-3 is guaranteed functional over the operating temperature range of -40°C to 85°C . The LT1997H-3 is guaranteed functional over the operating temperature range of -40°C to 125°C .

Note 5: The LT1997I-3 is guaranteed to meet specified performance from -40°C to 85°C . The LT1997H-3 is guaranteed to meet specified performance from -40°C to 125°C .

Note 6: This parameter is not 100% tested.

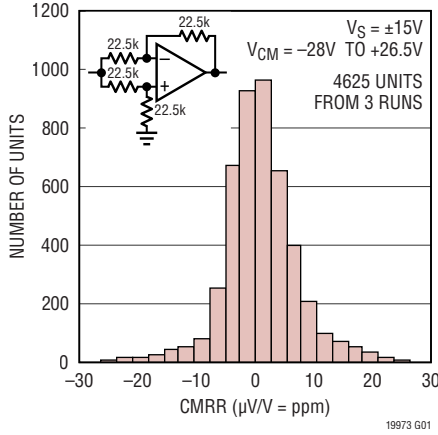
Note 7: The Input Voltage Range numbers specified in the table guarantee that the internal op amp operates in its normal operating region. The Input voltage range can be significantly higher if the internal op amp operates in its Over-The-Top® operating region. See “Common Mode Voltage Range” in the Applications Information section to determine the valid input voltage range under various operating conditions.

Note 8: Input impedance is tested by a combination of direct measurements and correlation to the CMRR and gain error tests.

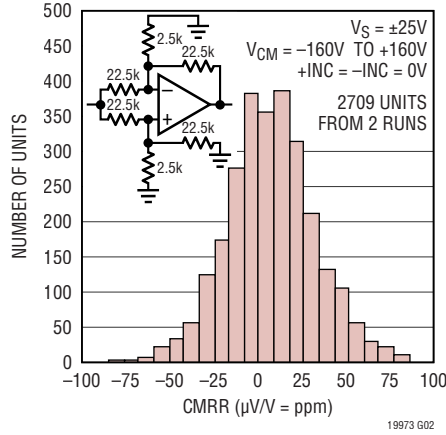
Note 9: Offset voltage, offset voltage drift and PSRR are defined as referred to the internal op amp. You can calculate output offset as follows. In the case of balanced source resistance, $V_{\text{OS,OUT}} = (V_{\text{OS}} \cdot \text{NOISEGAIN}) + (I_{\text{OS}} \cdot 22.5\text{k}) + (I_{\text{B}} \cdot 22.5\text{k} \cdot (1 - R_{\text{P}}/R_{\text{N}}))$ where R_{P} and R_{N} are the total resistance at the op amp positive and negative terminal, respectively.

TYPICAL PERFORMANCE CHARACTERISTICS $T_A = 25^\circ\text{C}$, $V_S = \pm 15\text{V}$, Difference Amplifier configuration, unless otherwise noted.

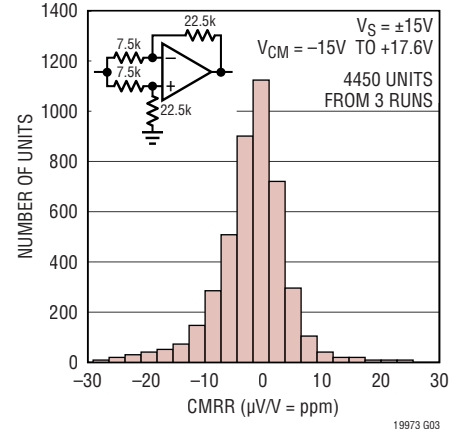
Typical Distribution of CMRR (G = 1)



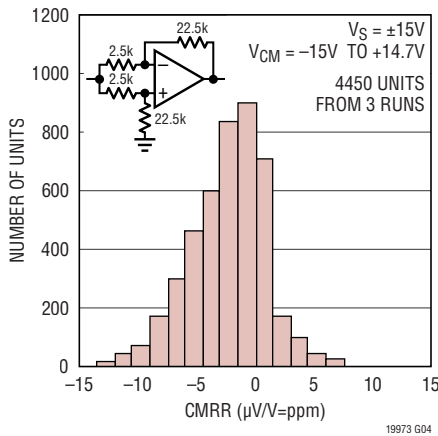
Typical Distribution of CMRR (G = 1)



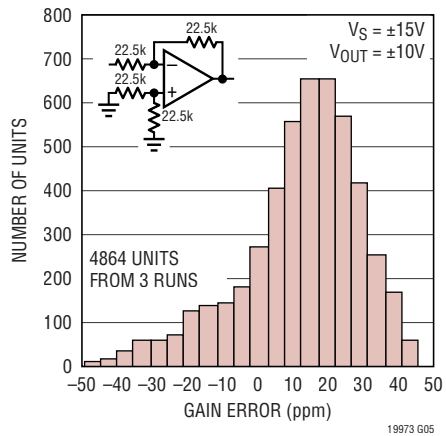
Typical Distribution of CMRR (G = 3)



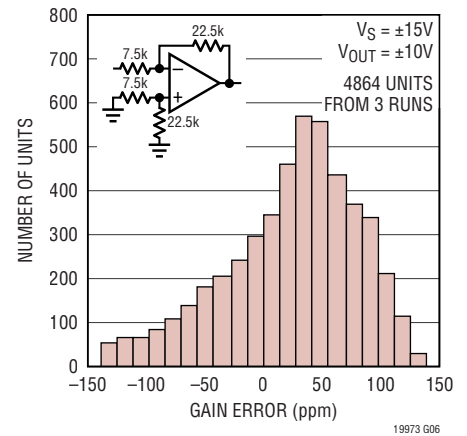
Typical Distribution of CMRR (G = 9)



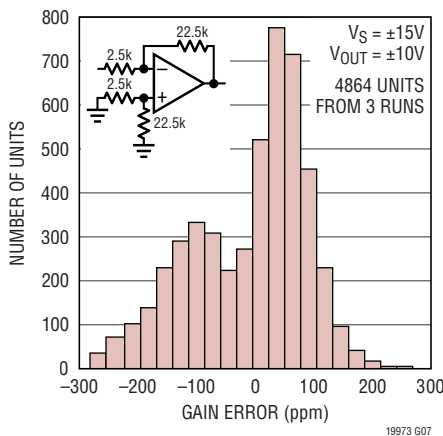
Typical Distribution of Gain Error (G = 1)



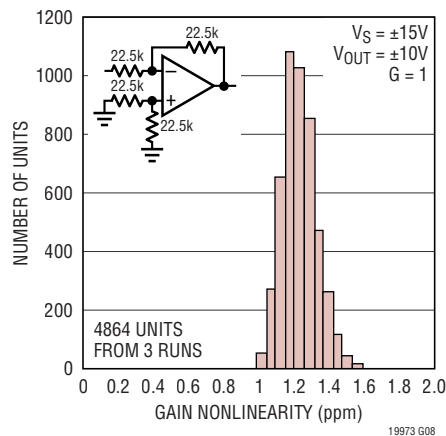
Typical Distribution of Gain Error (G = 3)



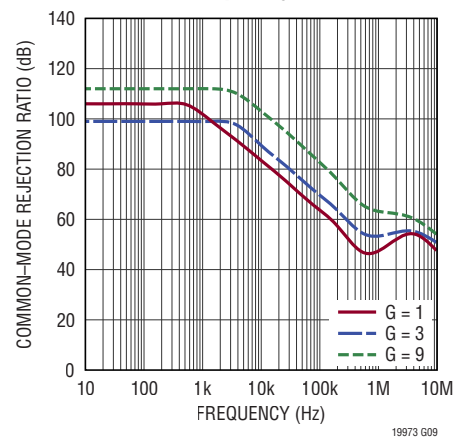
Typical Distribution of Gain Error (G = 9)



Typical Distribution of Gain Nonlinearity

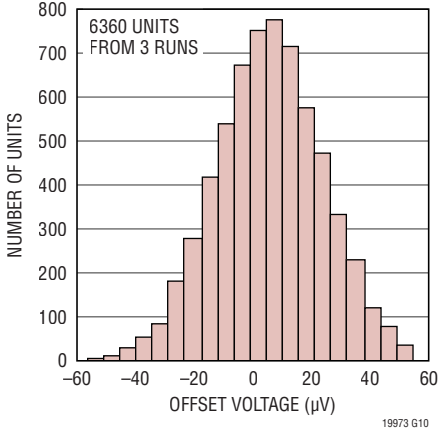


CMRR vs Frequency



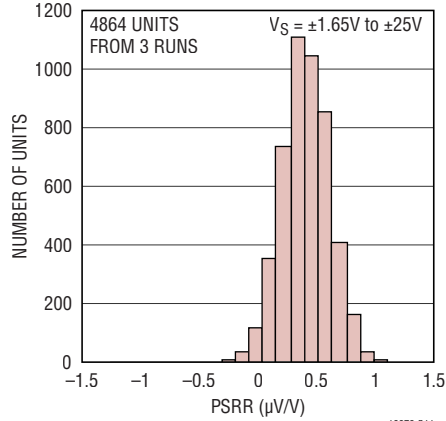
TYPICAL PERFORMANCE CHARACTERISTICS $T_A = 25^\circ\text{C}$, $V_S = \pm 15\text{V}$, Difference Amplifier configuration, unless otherwise noted.

Typical Distribution of Op Amp Offset Voltage



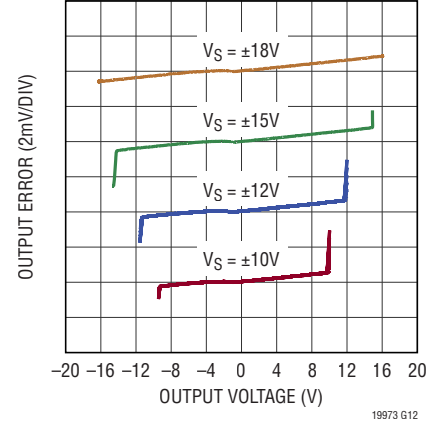
19973 G10

Typical Distribution of Op Amp PSRR



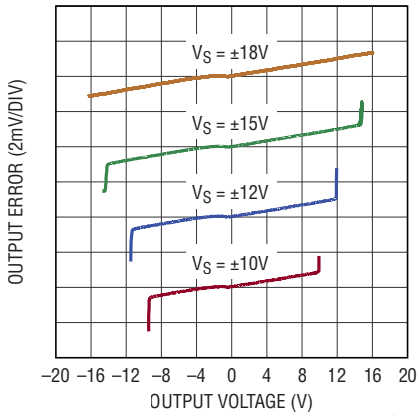
19973 G11

Typical Gain Error for $R_L = 10\text{k}\Omega$ $G = 1$ (Curves Offset for Clarity)



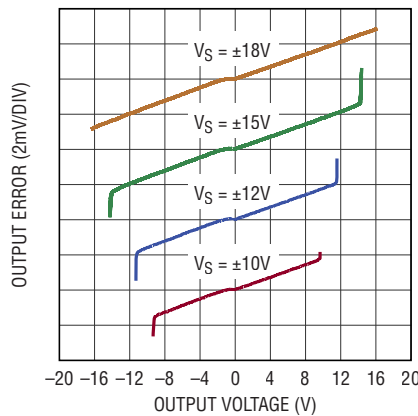
19973 G12

Typical Gain Error for $R_L = 5\text{k}\Omega$ $G = 1$ (Curves Offset for Clarity)



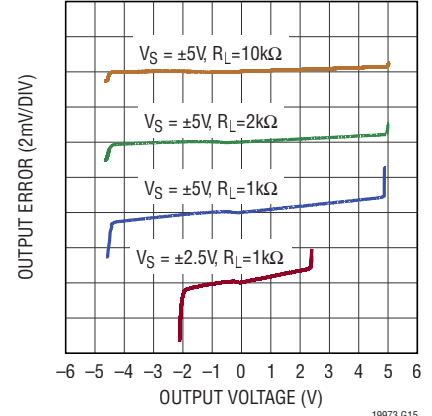
19973 G13

Typical Gain Error for $R_L = 2\text{k}\Omega$ $G = 1$ (Curves Offset for Clarity)



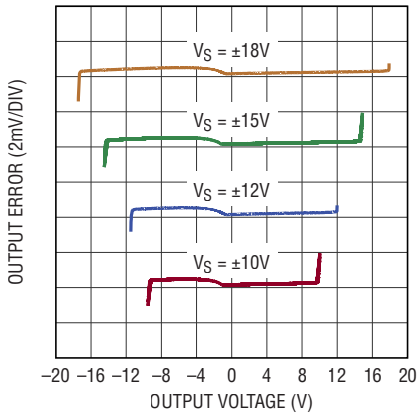
19973 G14

Typical Gain Error for Low Supply Voltages, $G = 1$ (Curves Offset for Clarity)



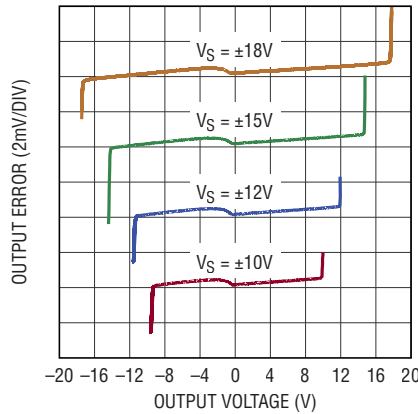
19973 G15

Typical Gain Error for $R_L = 10\text{k}\Omega$ $G = 3$ (Curves Offset for Clarity)



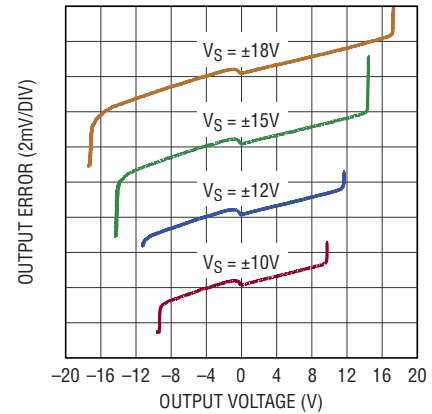
19973 G16

Typical Gain Error for $R_L = 5\text{k}\Omega$ $G = 3$ (Curves Offset for Clarity)



19973 G17

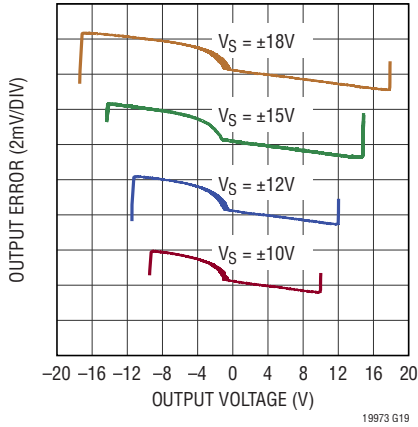
Typical Gain Error for $R_L = 2\text{k}\Omega$ $G = 3$ (Curves Offset for Clarity)



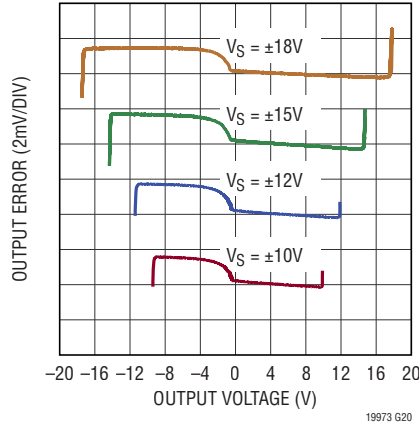
19973 G18

TYPICAL PERFORMANCE CHARACTERISTICS $T_A = 25^\circ\text{C}$, $V_S = \pm 15\text{V}$, Difference Amplifier configuration, unless otherwise noted.

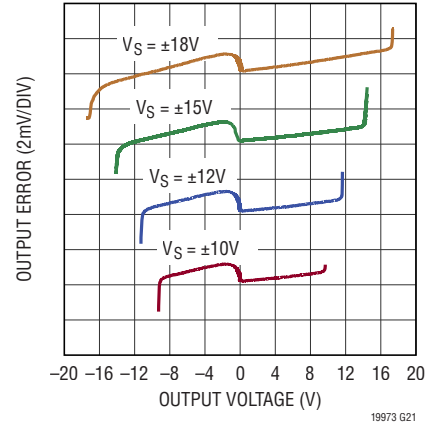
**Typical Gain Error for $R_L = 10\text{k}\Omega$
 $G = 9$ (Curves Offset for Clarity)**



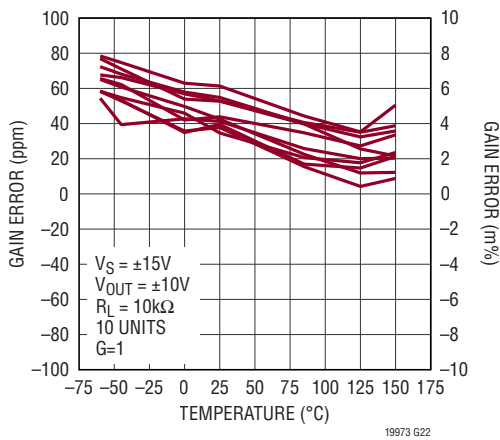
**Typical Gain Error for $R_L = 5\text{k}\Omega$
 $G = 9$ (Curves Offset for Clarity)**



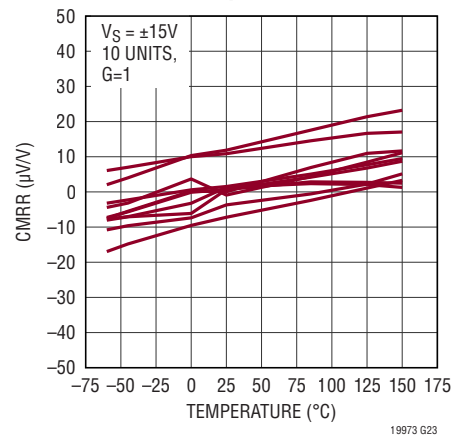
**Typical Gain Error for $R_L = 2\text{k}\Omega$
 $G = 9$ (Curves Offset for Clarity)**



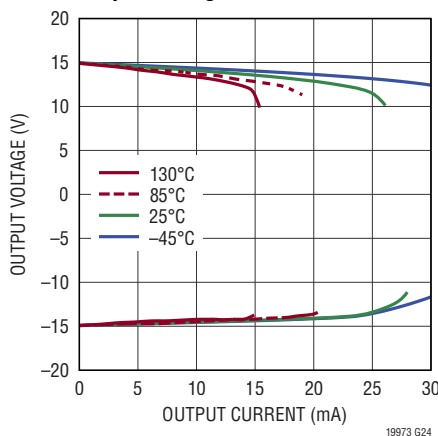
Gain Error vs Temperature



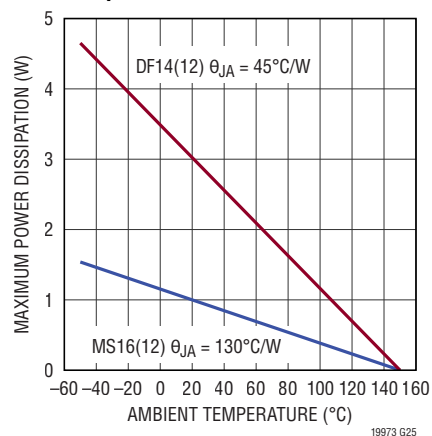
CMRR vs Temperature



Output Voltage vs Load Current

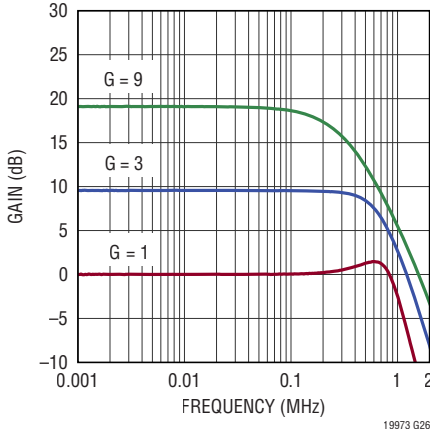


Maximum Power Dissipation vs Temperature

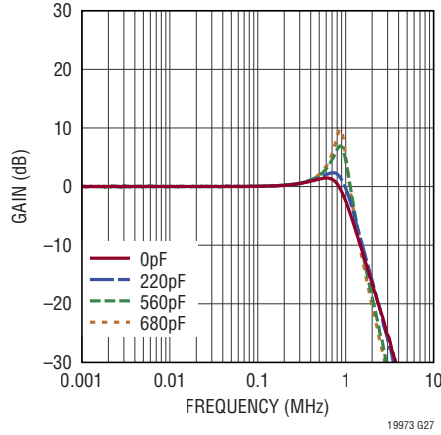


TYPICAL PERFORMANCE CHARACTERISTICS $T_A = 25^\circ\text{C}$, $V_S = \pm 15\text{V}$, Difference Amplifier configuration, unless otherwise noted.

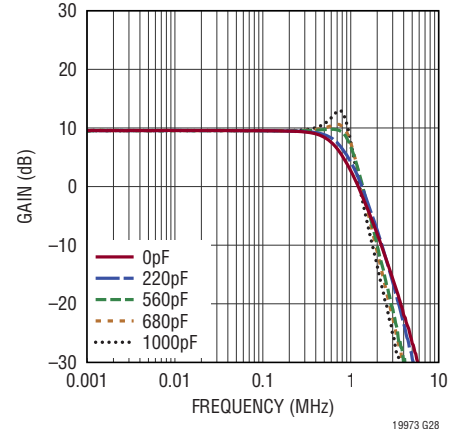
Gain vs Frequency



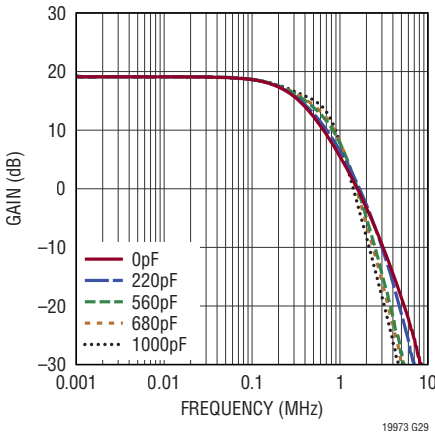
Frequency Response vs Capacitive Load (G = 1)



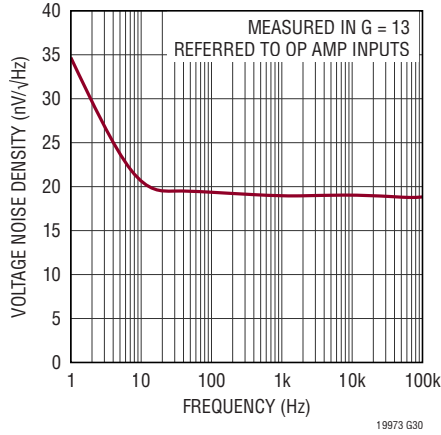
Frequency Response vs Capacitive Load (G = 3)



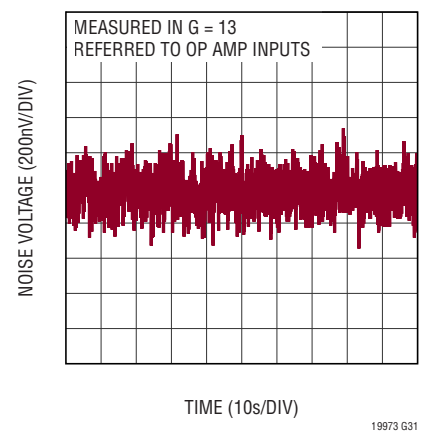
Frequency Response vs Capacitive Load (G = 9)



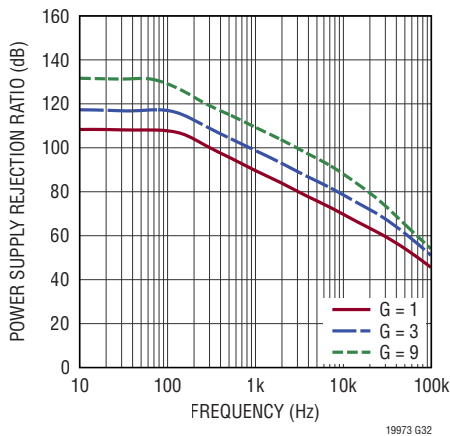
Op Amp Noise Density vs Frequency



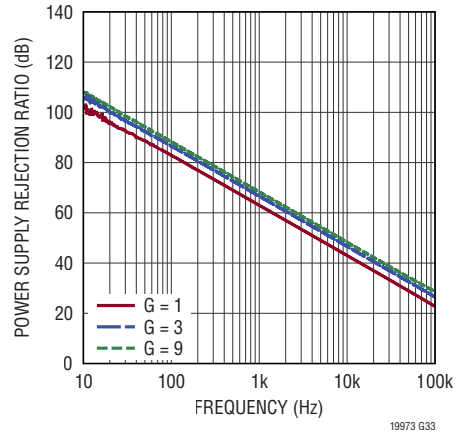
0.1Hz to 10Hz Noise



Positive PSRR vs Frequency

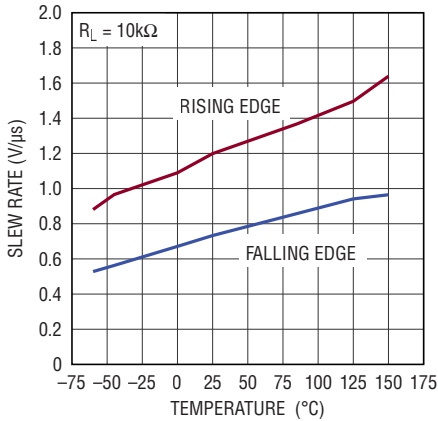


Negative PSRR vs Frequency



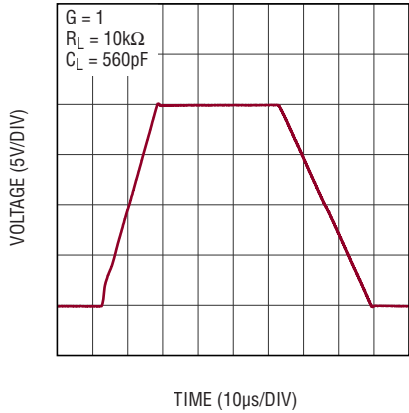
TYPICAL PERFORMANCE CHARACTERISTICS $T_A = 25^\circ\text{C}$, $V_S = \pm 15\text{V}$, Difference Amplifier configuration, unless otherwise noted.

Slew Rate vs Temperature



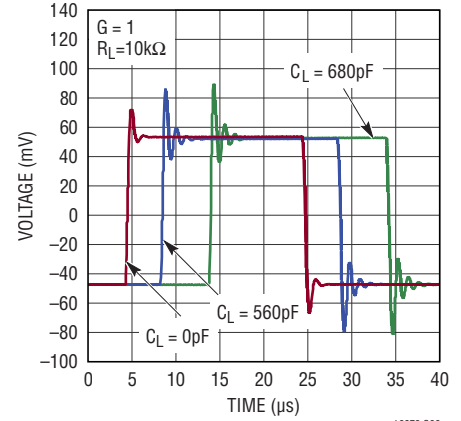
19973 G34

Large-Signal Step Response



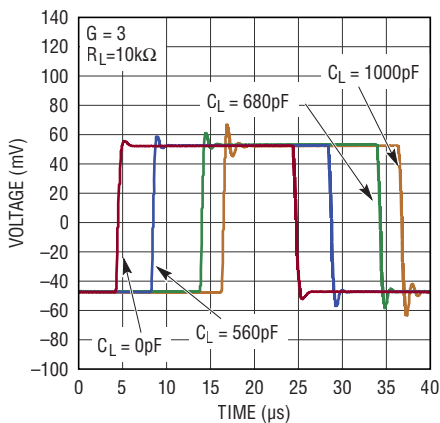
19973 G35

Small-Signal Step Response



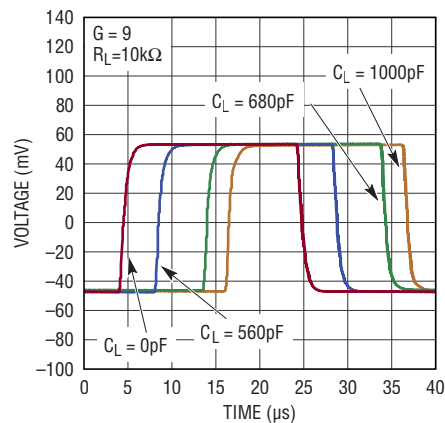
19973 G36

Small-Signal Step Response



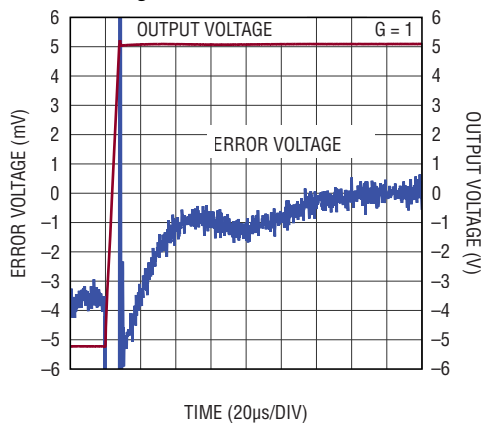
19973 G37

Small-Signal Step Response



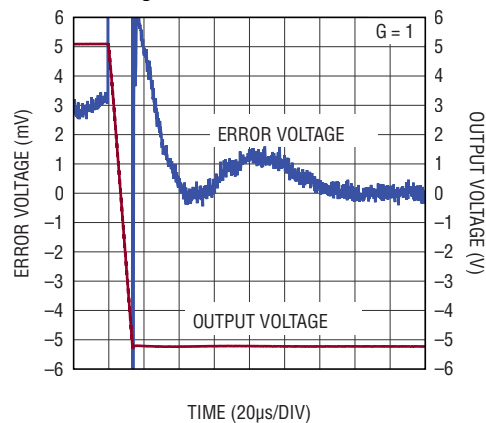
19973 G38

Settling Time



19973 G39

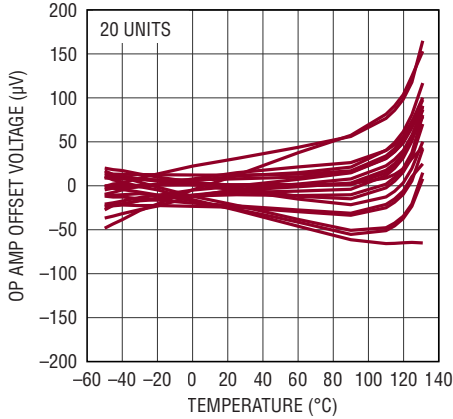
Settling Time



19973 G40

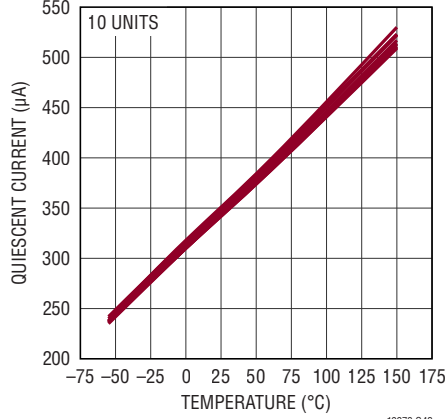
TYPICAL PERFORMANCE CHARACTERISTICS $T_A = 25^\circ\text{C}$, $V_S = \pm 15\text{V}$, Difference Amplifier configuration, unless otherwise noted.

Op Amp Offset Voltage vs Temperature



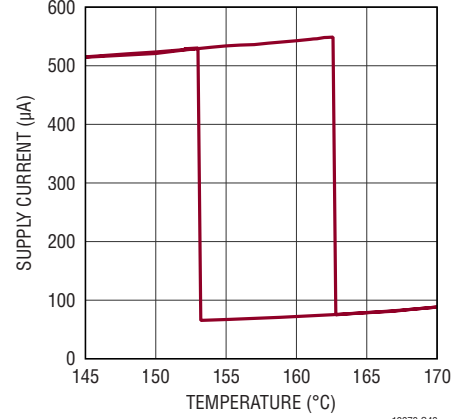
19973 G41

Quiescent Current vs Temperature



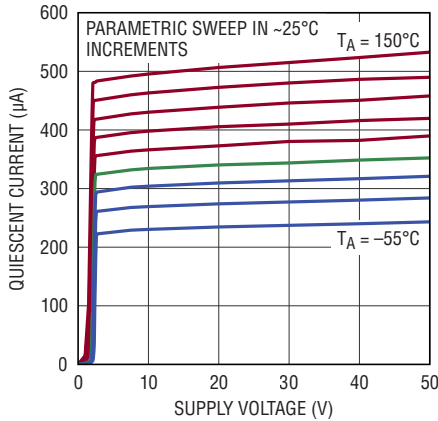
19973 G42

Thermal Shutdown vs Hysteresis



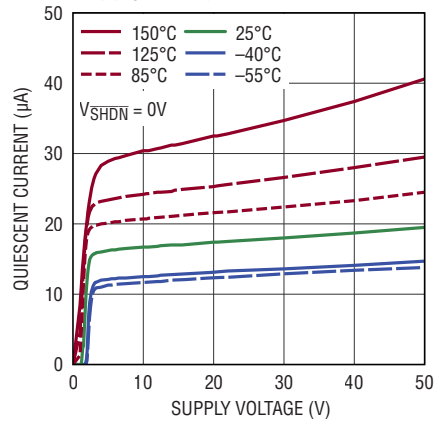
19973 G43

Quiescent Current vs Supply Voltage



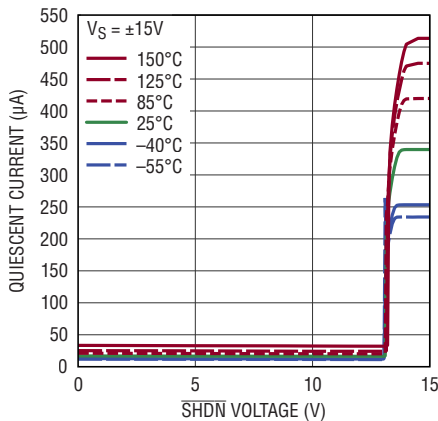
19973 G44

Shutdown Quiescent Current vs Supply Voltage



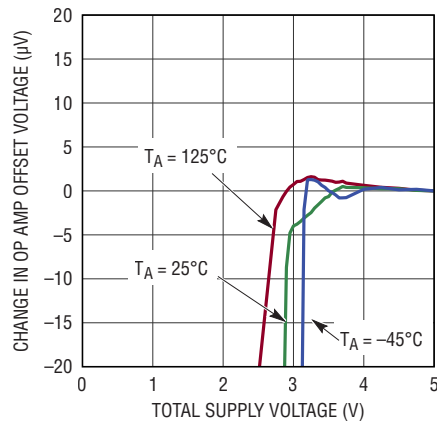
19973 G45

Quiescent Current vs SHDN Voltage



19973 G46

Minimum Supply Voltage



19973 G47

PIN FUNCTIONS (DFN/MSOP)

V⁺ (Pin 9/Pin 11): Positive Supply Pin.

V⁻ (EXPOSED PAD Pin 15/Pin 8): Negative Supply Pin.

OUT (Pin 8/Pin 9): Output Pin.

+INA (Pin 1/Pin 1): Noninverting Gain-of-1 Input Pin. Connects a 22.5k internal resistor to the internal op amp's noninverting input.

+INB (Pin 3/Pin 3): Noninverting Gain-of-3 Input Pin. Connects a 7.5k internal resistor to the internal op amp's noninverting input.

+INC (Pin 5/Pin 5): Noninverting Gain-of-9 Input Pin. Connects a 2.5k internal resistor to the internal op amp's noninverting input.

-INA (Pin 14/Pin 16): Inverting Gain-of-1 input Pin. Connects a 22.5k internal resistor to the internal op amp's inverting input.

-INB (Pin 12/Pin 14): Inverting Gain-of-3 input Pin. Connects a 7.5k internal resistor to the internal op amp's inverting input.

-INC (Pin 10/Pin 12): Inverting Gain-of-9 input Pin. Connects a 2.5k internal resistor to the internal op amp's inverting input.

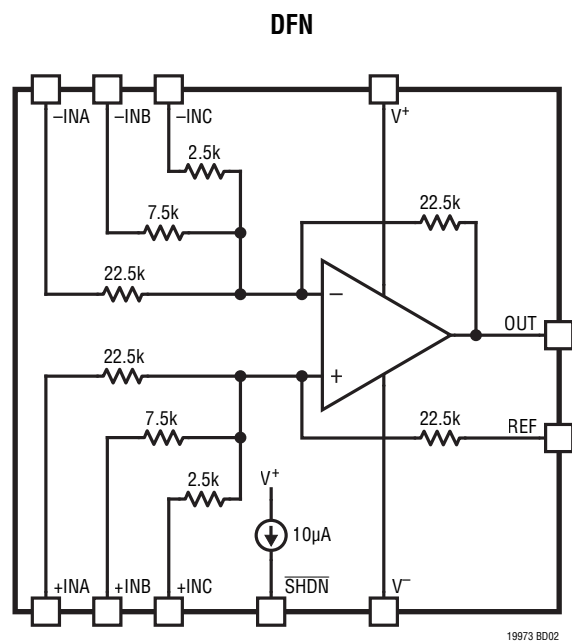
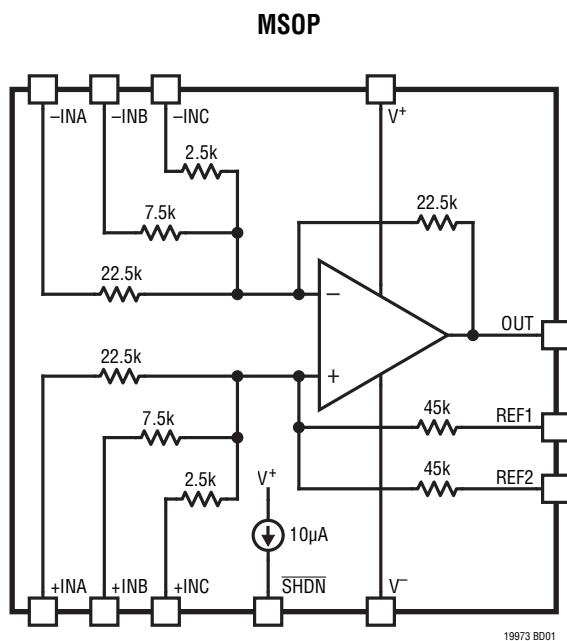
REF (Pin 7/NA): Reference Input Pin. Sets the output level when the difference between the inputs is zero.

REF1 (NA/Pin 6): Reference 1 Input Pin. With REF2, sets the output level when the difference between the inputs is zero.

REF2 (NA/Pin 7): Reference 2 Input. Pin. With REF1, sets the output level when the difference between the inputs is zero.

SHDN (Pin 6/Pin 10): Shutdown Pin. Amplifier is active when this pin is tied to V⁺ or left floating. Pulling the pin >2.5V below V⁺ causes the amplifier to enter a low power state.

BLOCK DIAGRAM



APPLICATIONS INFORMATION

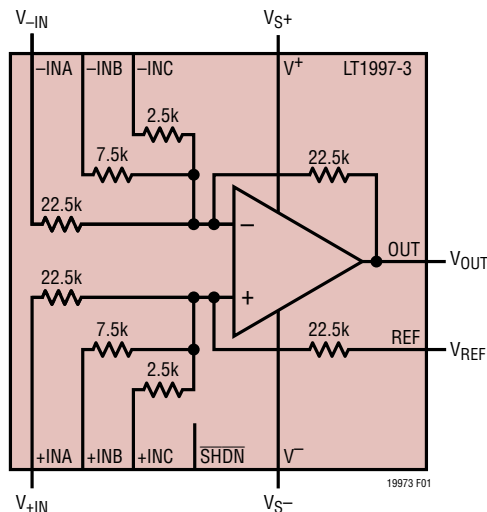


Figure 1. Difference Amplifier with Dual-Supply Operation (Gain = 1)

Introduction

The LT1997-3 is a precision, high voltage general purpose op amp combined with a highly-matched resistor network. It can easily be configured into many different classical gain circuits without adding external components. The several pages of simple circuits in this data sheet demonstrate how easy the LT1997-3 is to use. It can be configured into a difference amplifier (Figure 1), as well as into inverting (Figure 7) and noninverting (Figure 3) single ended amplifiers. The LT1997-3 provides the resistors and op amp together in a small package in order to save board space and reduce complexity. Highly accurate measurement circuits can be easily constructed with the LT1997-3. The circuits can be tailored to specific measurement applications.

Common Mode Voltage Range

The common mode voltage range of the LT1997-3 is set by the voltage range allowed on the LT1997-3's input pins and by the input voltage range of the internal op amp.

The internal op amp of LT1997-3 has 2 operating regions: a) if the common-mode voltage at the inputs of the internal

op amp (V_{CMOP}) is between V^- and $V^+ - 1.75V$, the op amp operates in its normal region; b) If V_{CMOP} is between $V^+ - 1.75V$ and $V^- + 76V$, the op amp continues to operate, but in its Over-The-Top (OTT) region with degraded performance (see Over-The-Top Operation section of this data sheet for more detail).

The LT1997-3 will not operate correctly if the common-mode voltage at the inputs of the internal op amp (V_{CMOP}) is below V^- , but the part will not be damaged as long as V_{CMOP} is greater than $V^- - 25V$ and the junction temperature of the LT1997-3 does not exceed $150^\circ C$.

The allowed voltage range on LT1997-3's input pins are as follows: The voltages at +INA and -INA input pins should never be higher than $V^- + 160V$ or lower than $V^- - 160V$ under any circumstances; The voltages at +INB, -INB, +INC and -INC input pins should not go below $V^- - 0.3V$ or above $V^- + 80V$.

The common-mode voltage at the inputs of the internal op amp (V_{CMOP}) is determined by the voltages on pins +INA, +INB, +INC and REF (see the "Calculating Input Voltage Range" section). This condition is true provided that the internal op amp's output is not clipped and feedback maintains the internal op amp's inputs at the same voltage.

In addition to the limits mentioned above, the common mode input voltage of the amplifier should be chosen so that the input resistors do not dissipate too much power. The power dissipated in a 22.5k resistor must be less than 1.5W. It must be less than 0.5W for the 7.5k resistor and less than 0.165W for the 2.5k resistor. For most applications, the pin voltage limitations will be reached before the resistor power limitation is reached.

Calculating Input Voltage Range

Figure 2 shows the LT1997-3 in the generalized case of a difference amplifier, with the inputs shorted for the common mode calculation. The values of R_F and R_G are dictated by how the positive inputs and REF pin are connected.

APPLICATIONS INFORMATION

By superposition we can write:

$$V_{\text{CMOP}} = V_{\text{EXT}} \cdot \frac{R_F}{R_F + R_G} + V_{\text{REF}} \cdot \frac{R_G}{R_F + R_G}$$

Or, solving for V_{EXT} :

$$V_{\text{EXT}} = V_{\text{CMOP}} \cdot \left(1 + \frac{R_G}{R_F}\right) - V_{\text{REF}} \cdot \frac{R_G}{R_F}$$

But valid V_{CMOP} voltages are limited to $V_{\text{S}+} - 1.75\text{V}$ ($V_{\text{S}-} + 76\text{V OTT}$) on the high side and $V_{\text{S}-}$ on the low side, so:

$$\text{MAX } V_{\text{EXT}} = (V_{\text{S}+} - 1.75) \cdot \left(1 + \frac{R_G}{R_F}\right) - V_{\text{REF}} \cdot \frac{R_G}{R_F}$$

and:

$$\text{MIN } V_{\text{EXT}} = (V_{\text{S}-}) \cdot \left(1 + \frac{R_G}{R_F}\right) - V_{\text{REF}} \cdot \frac{R_G}{R_F}$$

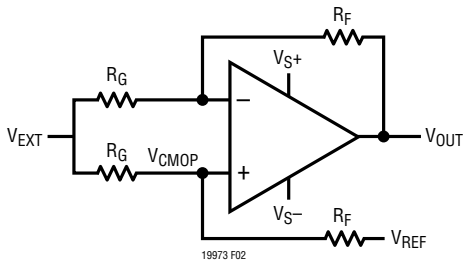


Figure 2. Calculating the Common Mode Input Voltage Range

Exceeding the MAX V_{EXT} limit will cause the amplifier to transition into the Over-The-Top region. The maximum input voltage for the Over-The-Top region is:

$$\text{MAX } V_{\text{EXTOTT}} = (V_{\text{S}-} + 76) \cdot \left(1 + \frac{R_G}{R_F}\right) - V_{\text{REF}} \cdot \frac{R_G}{R_F}$$

Keep in mind that the above MAX and MIN values for input voltage range should not exceed the allowed voltage range specified earlier for LT1997-3's input pins.

The negative inputs are not limited by the internal op amp common mode range (V_{CMOP}) because they do not affect it.

They are limited by the output swing of the amplifier (and obviously by the allowed voltage range for the input pins).

Over-The-Top Operation

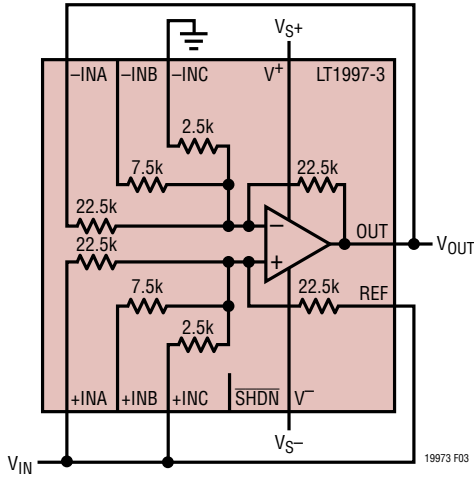
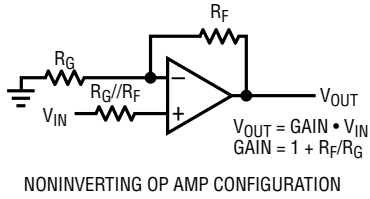
When the input common mode voltage of the internal op amp (V_{CMOP}) in the LT1997-3 is biased near or above the V^+ supply, the op amp is operating in the Over-The-Top (OTT) region. The op amp continues to operate with an input common mode voltage of up to 76V above V^- (regardless of the positive power supply voltage V^+), but its performance is degraded. The op amp's input bias currents change from under $\pm 2\text{nA}$ to $14\mu\text{A}$. The op amp's input offset current rises to $\pm 50\text{nA}$, which adds $\pm 1.1\text{mV}$ to the output offset voltage.

In addition, when operating in the Over-The-Top region, the differential input impedance decreases from $1\text{M}\Omega$ in normal operation to approximately $3.7\text{k}\Omega$ in Over-The-Top operation. This resistance appears across the summing nodes of the internal op amp and boosts noise and offset while decreasing speed. Noise and offset will increase by between 75% and 450% depending on the gain setting. The bandwidth will be reduced by 2X to 5.5X. For more detail on Over-The-Top operation, consult the LT6015 data sheet.

The Classical Noninverting Amplifier: High Input Z

A common op amp configuration enabled by the LT1997-3 is the noninverting amplifier. Figure 3 shows the textbook representation of the circuit on the top. The LT1997-3 is shown on the bottom configured in a precision gain of 5.5. One of the benefits of the noninverting op amp configuration is that the input impedance is extremely high. The LT1997-3 maintains this benefit. A large number of gains can be achieved with the LT1997-3 in the noninverting configuration. The complete list of such Hi-Z input noninverting gain configuration is shown in Table 1. Many of these are also represented in Figure 4 in schematic form. Note that the positive inputs are connected such that the source impedance seen by the positive and negative inputs of the internal op amp are equal. This minimizes the offset voltage due to the input bias current of the op amp. The noise gain and amplifier's gain in the noninverting configuration are identical.

APPLICATIONS INFORMATION



NONINVERTING OP AMP CONFIGURATION
 IMPLEMENTED WITH THE LT1997-3, $R_F = 11.25k$, $R_G = 2.5k$, GAIN = 5.5
 GAIN IS ACHIEVED BY GROUNDING, FLOATING OR FEEDING BACK
 THE AVAILABLE RESISTORS TO ARRIVE AT THE DESIRED R_F AND R_G

Figure 3. The LT1997-3 Configured as a Noninverting Op Amp

Table 1. Configuring the Negative Pins for Noninverting Gains. The Positive Inputs Are Driven as Shown in the Examples in Figure 4

Gain	Negative Input Connections		
	-INA	-INB	-INC
1	V_{OUT}	V_{OUT}	V_{OUT}
1.077	GND	V_{OUT}	V_{OUT}
1.1	GND	OPEN	V_{OUT}
1.25	GND	V_{OUT}	OPEN
1.273	V_{OUT}	GND	V_{OUT}
1.3	OPEN	GND	V_{OUT}
1.4	GND	GND	V_{OUT}
2	GND	OPEN	OPEN
2.5	V_{OUT}	GND	OPEN
2.8	V_{OUT}	V_{OUT}	GND
3.25	OPEN	V_{OUT}	GND
3.5	GND	V_{OUT}	GND
4	OPEN	GND	OPEN
5	GND	GND	OPEN
5.5	V_{OUT}	OPEN	GND
7	V_{OUT}	GND	GND
10	OPEN	OPEN	GND
11	GND	OPEN	GND
13	OPEN	GND	GND
14	GND	GND	GND

APPLICATIONS INFORMATION

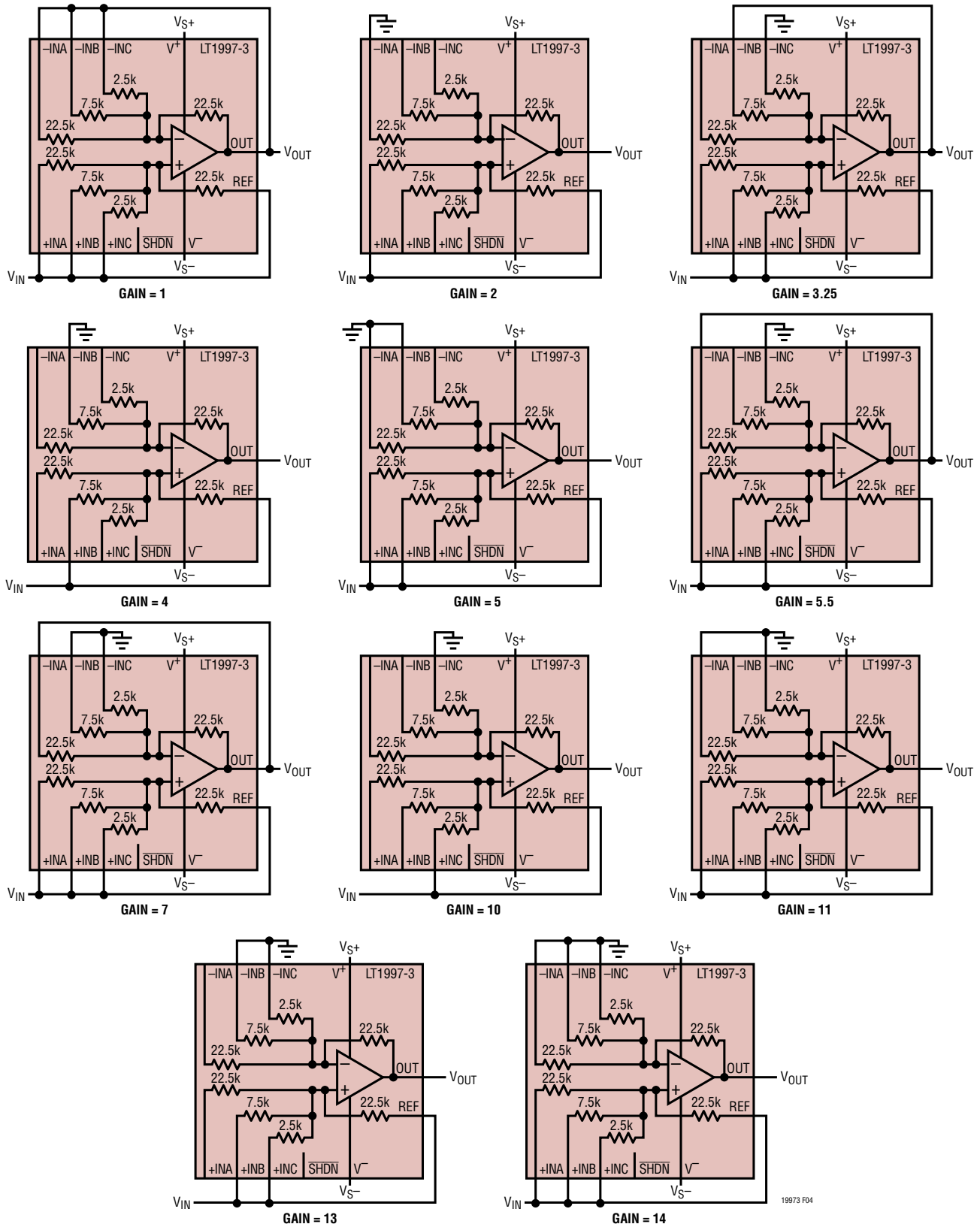


Figure 4. Some Implementations of Classical Noninverting Gains Using the LT1997-3. High Input Z is Maintained

APPLICATIONS INFORMATION

Attenuation

The positive input resistors can be configured to attenuate the input signal (Figure 5). This allows a trade-off to be made between input range and precision. Attenuating the input can prevent the op amp from entering the less precise Over-the-Top operating region at the cost of decreasing the output signal. The four positive resistors (R_{+INA} , R_{+INB} , R_{+INC} , R_{REF}) can be arranged to make many precise input attenuators. These are shown in Table 2.

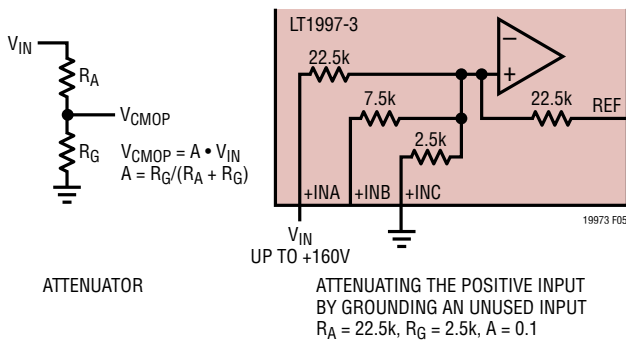


Figure 5. The Input of the LT1997-3 Can Be Attenuated to Increase the Usable Input Range. The +INA Input Can Be Taken to ±160V.

The attenuations and noninverting gains are set independently and can be combined to produce even more gain options. 346 unique gains between 0.0714 and 14 (Figure 6) can be realized. When using the positive side resistors as an attenuator, the benefit of canceling input bias current effects on offset voltage reduces. The impedance seen by the two op amp input nodes will not be identical.

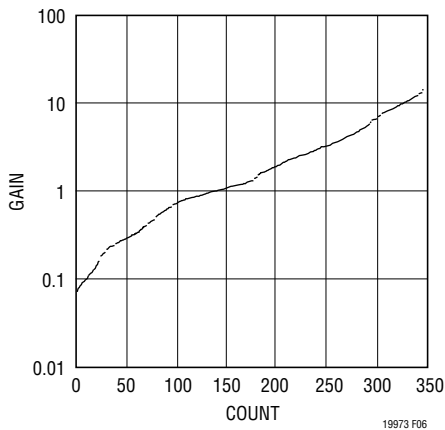


Figure 6. Many Unique Gains Can Be Achieved by Combining Attenuation with Noninverting Gain

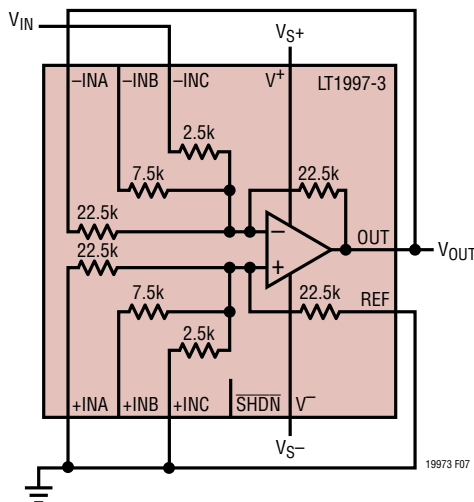
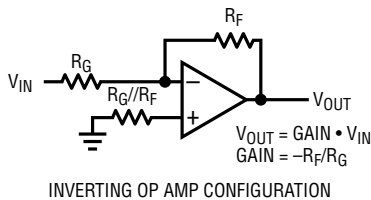
Table 2. Configuring the Positive Pins for Various Attenuations

Gain	Positive Input Connections			
	+INA	+INB	+INC	REF
0.0714	V_{IN}	GND	GND	GND
0.0769	V_{IN}	GND	GND	OPEN
0.0909	V_{IN}	OPEN	GND	GND
0.1	V_{IN}	OPEN	GND	OPEN
0.143	V_{IN}	GND	GND	V_{IN}
0.182	V_{IN}	OPEN	GND	V_{IN}
0.2	V_{IN}	GND	OPEN	GND
0.214	GND	V_{IN}	GND	GND
0.231	OPEN	V_{IN}	GND	GND
0.25	V_{IN}	GND	OPEN	OPEN
0.286	V_{IN}	V_{IN}	GND	GND
0.308	V_{IN}	V_{IN}	GND	OPEN
0.357	V_{IN}	V_{IN}	GND	V_{IN}
0.4	V_{IN}	GND	OPEN	V_{IN}
0.5	V_{IN}	OPEN	OPEN	GND
0.6	GND	V_{IN}	OPEN	GND
0.643	GND	GND	V_{IN}	GND
0.692	OPEN	GND	V_{IN}	GND
0.714	V_{IN}	GND	V_{IN}	GND
0.75	OPEN	V_{IN}	OPEN	GND
0.769	V_{IN}	GND	V_{IN}	OPEN
0.786	V_{IN}	GND	V_{IN}	V_{IN}
0.8	V_{IN}	V_{IN}	OPEN	GND
0.818	GND	OPEN	V_{IN}	GND
0.857	GND	V_{IN}	V_{IN}	GND
0.9	OPEN	OPEN	V_{IN}	GND
0.909	V_{IN}	OPEN	V_{IN}	GND
0.923	OPEN	V_{IN}	V_{IN}	GND
0.929	V_{IN}	V_{IN}	V_{IN}	GND
1	V_{IN}	V_{IN}	V_{IN}	V_{IN}

APPLICATIONS INFORMATION

The Inverting Configuration

The inverting amplifier, shown in Figure 7, is another classical op amp configuration. The circuit is actually identical to the noninverting amplifier of Figure 3, except that V_{IN} and GND have been swapped. The list of available gains is shown in Table 3, and some of the circuits are shown in Figure 8. Noise gain is $1+|Gain|$, as is the usual case for inverting amplifiers. For the best DC precision, match the source impedances seen by the op amp inputs.



INVERTING OP AMP CONFIGURATION
 IMPLEMENTED WITH THE LT1997-3, $R_F = 11.25k$, $R_G = 2.5k$, $GAIN = -4.5$

GAIN IS ACHIEVED BY GROUNDING, FLOATING OR FEEDING BACK THE AVAILABLE RESISTORS TO ARRIVE AT THE DESIRED R_F AND R_G

Table 3. Configuring the Negative Pins for Inverting Gains

Gain	Negative Input Connections		
	-INA	-INB	-INC
-0.077	V_{IN}	V_{OUT}	V_{OUT}
-0.1	V_{IN}	OPEN	V_{OUT}
-0.25	V_{IN}	V_{OUT}	OPEN
-0.273	V_{OUT}	V_{IN}	V_{OUT}
-0.3	OPEN	V_{IN}	V_{OUT}
-0.4	V_{IN}	V_{IN}	V_{OUT}
-1	V_{IN}	OPEN	OPEN
-1.5	V_{OUT}	V_{IN}	OPEN
-1.8	V_{OUT}	V_{OUT}	V_{IN}
-2.25	OPEN	V_{OUT}	V_{IN}
-2.5	V_{IN}	V_{OUT}	V_{IN}
-3	OPEN	V_{IN}	OPEN
-4	V_{IN}	V_{IN}	OPEN
-4.5	V_{OUT}	OPEN	V_{IN}
-6	V_{OUT}	V_{IN}	V_{IN}
-9	OPEN	OPEN	V_{IN}
-10	V_{IN}	OPEN	V_{IN}
-12	OPEN	V_{IN}	V_{IN}
-13	V_{IN}	V_{IN}	V_{IN}

Figure 7. The LT1997-3 Configured as an Inverting Op Amp

APPLICATIONS INFORMATION

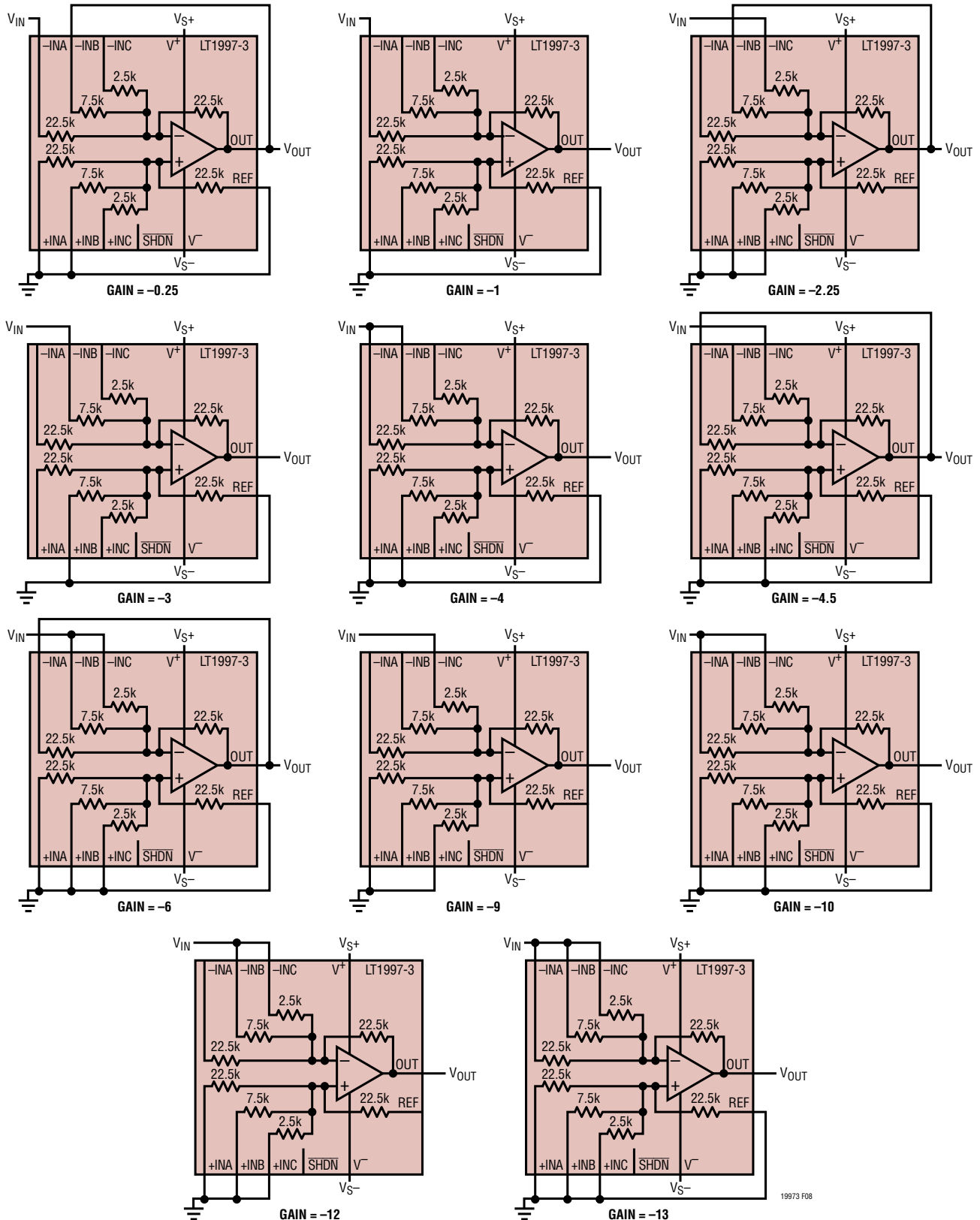


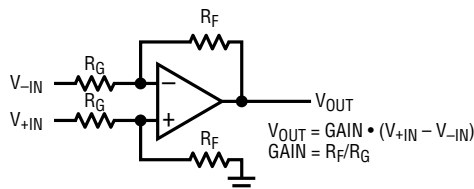
Figure 8. Inverting Gains with Input Impedance that Varies from 1.73kΩ (Gain = -13) to 22.5kΩ (Gain = -1)

19973 F08

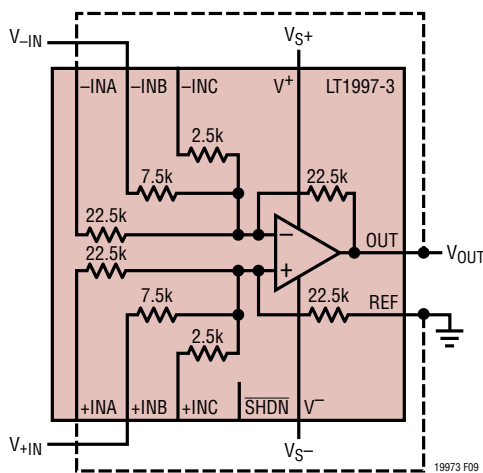
APPLICATIONS INFORMATION

Difference Amplifiers

The LT1997-3 is ideally suited to be used as a difference amplifier. Figure 9 shows the basic 4-resistor difference amplifier and the LT1997-3. A difference gain of 3 is shown, but can be altered by additional dashed connections. By connecting the 22.5k resistors in parallel, the gain is reduced by a factor of 2. Of course there are many possible gains. Table 4 shows the difference gains and how they are achieved. Note that, as for inverting amplifiers, the noise gain is equal to the signal gain plus 1.



DIFFERENCE AMPLIFIER CONFIGURATION



DIFFERENCE AMPLIFIER CONFIGURATION
 IMPLEMENTED WITH THE LT1997-3, $R_F = 22.5k$, $R_G = 7.5k$, GAIN = 3
 ADDING THE DASHED CONNECTIONS CONNECT THE
 TWO 22.5k RESISTORS IN PARALLEL, SO R_F IS REDUCED TO 11.25k.
 THE GAIN BECOMES $11.25k/7.5k = 1.5$

Figure 9. The LT1997-3 Configured as a Difference Amplifier. Gain Is Set by Connecting the Correct Resistors or Combinations of Resistors. Gain of 3 Is Shown, with Dashed Lines Modifying It to a Gain of 1.5

The Common Mode Voltage at the inputs of the internal op amp (V_{CMOP}) is set by the voltages at pins +INA, +INB, +INC and REF.

Table 4. Difference Amplifier Gains

Gain	V _{+IN}	V _{-IN}	OUT	GND (REF)
0.077	+INA	-INA	-INB, -INC	+INB, +INC
0.1	+INA	-INA	-INC	+INC
0.25	+INA	-INA	-INB	+INB
0.273	+INB	-INB	-INA, -INC	+INA, +INC
0.3	+INB	-INB	-INC	+INC
0.4	+INA, +INB	-INA, -INB	-INC	+INC
1	+INA	-INA		
1.5	+INB	-INB	-INA	+INA
1.8	+INC	-INC	-INA, -INB	+INA, +INB
2.25	+INC	-INC	-INB	+INB
2.5	+INA, +INC	-INA, -INC	-INB	+INB
3	+INB	-INB		
4	+INA, +INB	-INA, -INB		
4.5	+INC	-INC	-INA	+INA
6	+INB, +INC	-INB, -INC	-INA	+INA
9	+INC	-INC		
10	+INA, +INC	-INA, -INC		
12	+INB, +INC	-INB, -INC		
13	+INA, +INB, +INC	-INA, -INB, -INC		

APPLICATIONS INFORMATION

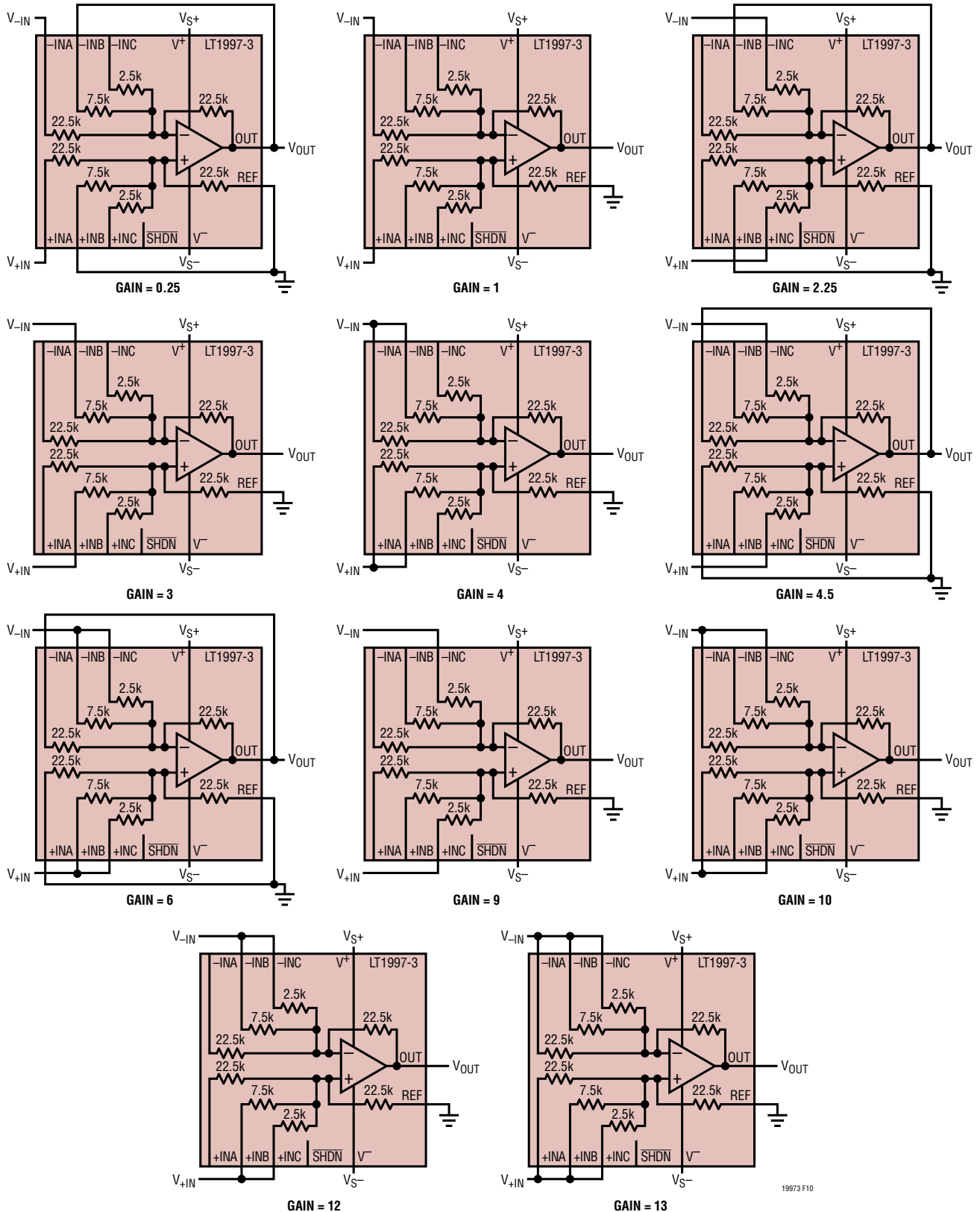


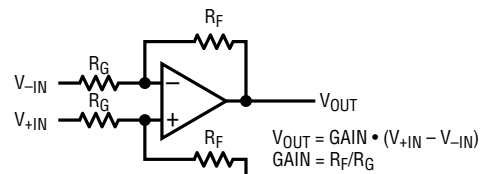
Figure 10. Many Difference Amplifier Gains Can Be Achieved by Strapping Pins

19973 F10

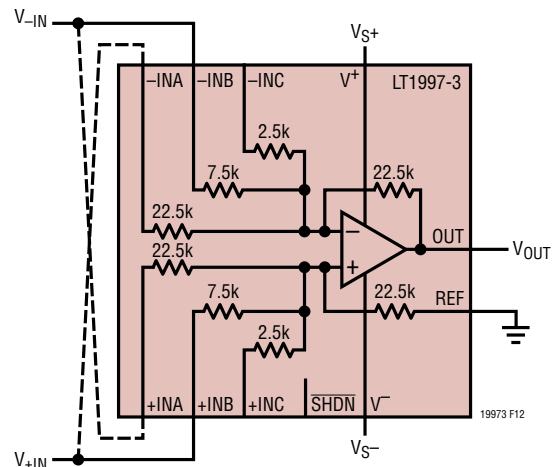
APPLICATIONS INFORMATION

Difference Amplifier: Additional Integer Gains Using Cross-Coupling

Figure 11 shows the basic difference amplifier as well as the LT1997-3 with cross-coupled inputs. The additional dashed connections reduce the differential gain from 3 to 2. Using this method, additional integer gains are achievable, as shown in Table 5, so that all integer gains from 1 to 13 are achieved with the LT1997-3. Note that the equations can be written by inspection from the V_{+IN} connections, and that the V_{-IN} connections are simply the opposite (swap + for - and - for +). Noise gain, bandwidth, and input impedance specifications for the various cases are also shown. Schematics of the difference amplifiers using cross-coupling are shown in Figure 12. Additional non-integer gains produced with cross-coupling are listed in Table 6.



DIFFERENCE AMPLIFIER CONFIGURATION



DIFFERENCE AMPLIFIER CONFIGURATION
 IMPLEMENTED WITH THE LT1997-3, $R_F = 22.5k$, $R_G = 7.5k$, GAIN = 3
 GAIN CAN BE ADJUSTED BY CROSS-COUPLING THE INPUTS.
 MAKING THE DASHED CONNECTIONS REDUCES THE GAIN FROM 3 TO 2

Figure 11. Cross-Coupling the Inputs of the LT1997-3 Allows Additional Integer Gains to Be Constructed. The LT1997-3 Provides All Integer Gains from 1 to 13

Table 5. Connections Using Cross-Coupling. Note that Equations Can Be Written by Inspection of the V_{+IN} Column

Gain	V_{+IN}	V_{-IN}	Equation	Noise Gain	-3dB BW (kHz)	Differential Input Impedance (k Ω)	Common Mode Input Impedance (k Ω)
2	+INB, -INA	-INB, +INA	3 - 1	5	540	11.25	14.1
5	+INC, -INB, -INA	-INC, +INB, +INA	9 - 3 - 1	14	222	3.5	12.1
7	+INC, +INA, -INB	-INC, -INA, +INB	9 + 1 - 3	14	222	3.5	12.1
8	+INC, -INA	-INC, +INA	9 - 1	11	277	4.5	12.4
11	+INC, +INB, -INA	-INC, -INB, +INA	9 + 3 - 1	14	222	3.5	12.1

Table 6. Additional Non-Integer Gains that Can Be Achieved Using Cross-Coupling

Gain	V_{+IN}	V_{-IN}	OUT	GND (REF)
0.143	+INA	-INA	+INB, -INC	-INB, +INC
0.2	-INA, +INB	+INA, -INB	-INC	+INC
0.333	+INB	-INB	+INA, -INC	-INA, +INC

APPLICATIONS INFORMATION

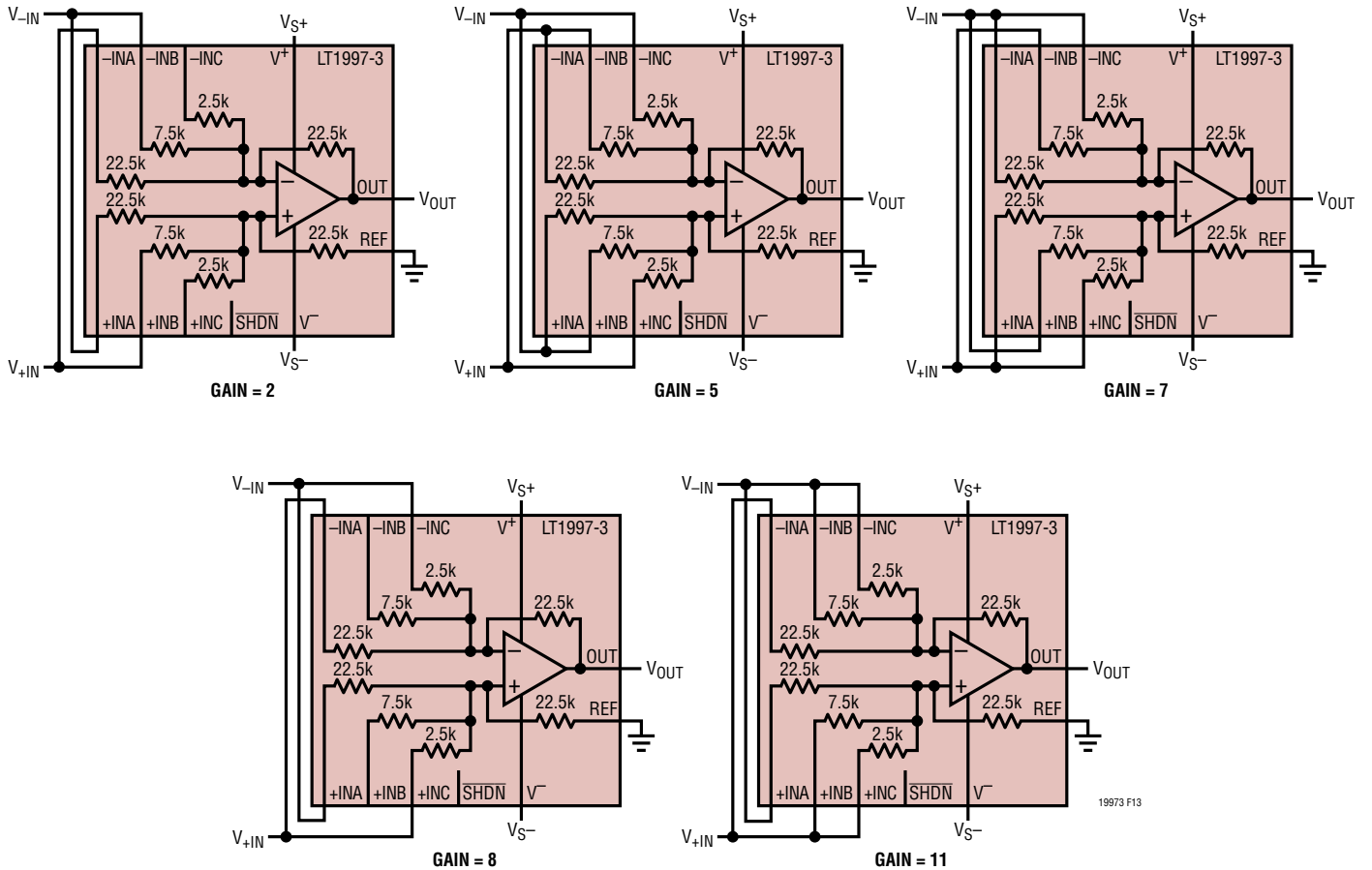


Figure 12. Integer Gain Difference Amplifiers Using Cross-Coupling

High Common Mode Voltage Difference Amplifiers

The input range of a difference amplifier can be extended by configuring the amplifier to divide the input common mode voltage. Figure 13 shows the basic circuit on the top. The effective input voltage range of the circuit is extended by the fact that resistors R_T attenuate the common mode (CM) voltage seen by the internal op amp inputs (V_{CMOP}). For the LT1997-3, the most useful resistors for R_G are the +INA and -INA 22.5kΩ resistors, because they do not have diode clamps to the V_{S-} supply and therefore can be taken beyond both rails. +INB, -INB, +INC and -INC pins can be taken 80V above V_{S-} , but not below V_{S-} . As before, the input common mode of the internal op amp is the limiting

factor and is set by the voltage at the op amp's positive input (V_{CMOP}). By superposition we can write:

$$V_{CMOP} = V_{EXT} \cdot \frac{R_F \parallel R_T}{R_G + R_F \parallel R_T} + V_{REF} \cdot \frac{R_G \parallel R_T}{R_F + R_G \parallel R_T} + V_{TERM} \cdot \frac{R_F \parallel R_G}{R_T + R_F \parallel R_G}$$

Solving for V_{EXT} :

$$V_{EXT} = \left(1 + \frac{R_G}{R_F \parallel R_T} \right) \cdot \left(\frac{V_{CMOP} - V_{REF} \cdot \frac{R_G \parallel R_T}{R_F + R_G \parallel R_T}}{-V_{TERM} \cdot \frac{R_F \parallel R_G}{R_T + R_F \parallel R_G}} \right)$$

APPLICATIONS INFORMATION

Given the values of the resistors in the LT1997-3, this equation has been simplified and evaluated, and the resulting equations are provided in Table 7. Substituting $V_{S+} - 1.75V$ and V_{S-} for V_{LIM} will give the valid upper and lower common mode extremes respectively for the normal operating region of the op amp. Substituting $V_{S-} + 76V$ and V_{S-} for V_{LIM} will give the valid upper and lower common mode extremes respectively for the Over-The-Top region of the op amp (see Over-The-Top Operation section of this data sheet for more detail). Following are sample calculations for the case shown in Figure 13. Note that +INC and -INC are terminated so row 3 of Table 7 provides the equation:

$$\begin{aligned} \text{MAX } V_{EXT} &= 11 \cdot (V_{S+} - 1.75) - V_{REF} - 9 \cdot V_{TERM} \\ &= 11 \cdot (10.25V) - 2.5 - 9 \cdot 12 \\ &= 2.25V \end{aligned}$$

and:

$$\begin{aligned} \text{MIN } V_{EXT} &= 11 \cdot (V_{S-}) - V_{REF} - 9 \cdot V_{TERM} \\ &= 11 \cdot (0) - 2.5 - 9 \cdot 12 \\ &= -110.5V \end{aligned}$$

If the calculated V_{EXT} voltage exceeds the 160V absolute maximum rating of the +INA, -INA pins, 160V or -160V would become the de facto common mode limit. Several more examples of high CM circuits are shown in Figure 14, Figure 15 and Figure 16 for various supplies.

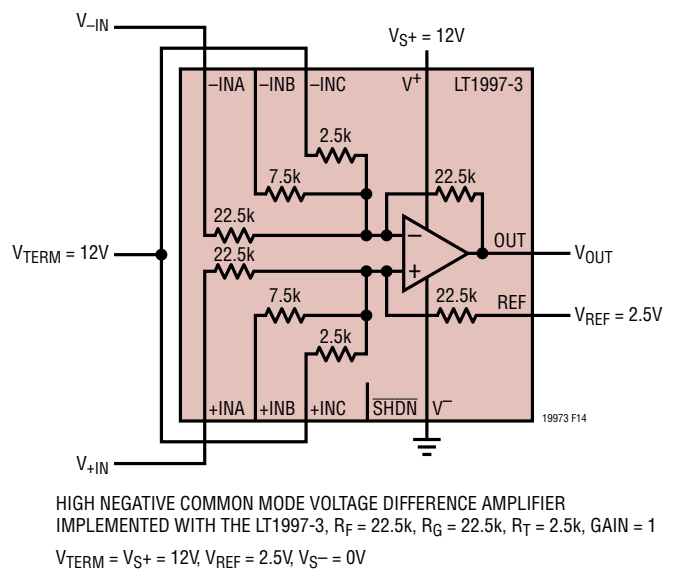
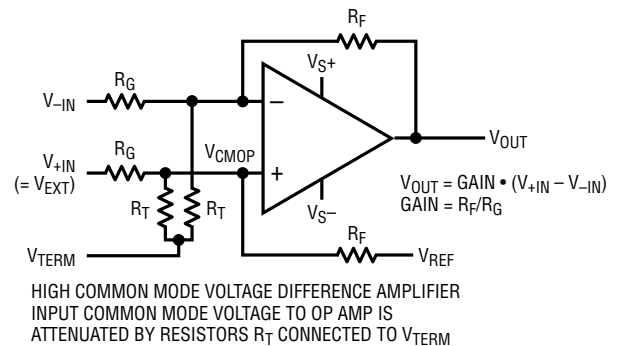


Figure 13. Extending Common Mode Input Range

Table 7. Input Common Mode Voltage Ranges for the LT1997-3 when Configured as a High Common Mode Voltage Difference Amplifier

Gain	V_{+IN}	V_{-IN}	R_T	Noise Gain	Max, Min V_{EXT} (Substitute $V_{S+} - 1.75$ (Normal Region) or $V_{S-} + 76$ (OTT), and V_{S-} for V_{LIM})
1	+INA	-INA		2	$2 \cdot V_{LIM} - V_{REF}$
1	+INA	-INA	R_{+INB} , R_{-INB}	5	$5 \cdot V_{LIM} - V_{REF} - 3 \cdot V_{TERM}$
1	+INA	-INA	R_{+INC} , R_{-INC}	11	$11 \cdot V_{LIM} - V_{REF} - 9 \cdot V_{TERM}$
1	+INA	-INA	$R_{+INB} R_{+INC}$, $R_{-INB} R_{-INC}$	14	$14 \cdot V_{LIM} - V_{REF} - 12 \cdot V_{TERM}$