



Chipsmall Limited consists of a professional team with an average of over 10 year of expertise in the distribution of electronic components. Based in Hongkong, we have already established firm and mutual-benefit business relationships with customers from,Europe,America and south Asia,supplying obsolete and hard-to-find components to meet their specific needs.

With the principle of “Quality Parts,Customers Priority,Honest Operation,and Considerate Service”,our business mainly focus on the distribution of electronic components. Line cards we deal with include Microchip,ALPS,ROHM,Xilinx,Pulse,ON,Everlight and Freescale. Main products comprise IC,Modules,Potentiometer,IC Socket,Relay,Connector.Our parts cover such applications as commercial,industrial, and automotives areas.

We are looking forward to setting up business relationship with you and hope to provide you with the best service and solution. Let us make a better world for our industry!



## Contact us

Tel: +86-755-8981 8866 Fax: +86-755-8427 6832

Email & Skype: info@chipsmall.com Web: www.chipsmall.com

Address: A1208, Overseas Decoration Building, #122 Zhenhua RD., Futian, Shenzhen, China



## FEATURES

- RF Input Frequency Range: 40MHz to 900MHz
- High IIP3: 21dBm at 800MHz
- High IIP2: 58dBm at 800MHz
- I/Q Gain Mismatch: 0.3dB Max
- I/Q Phase Mismatch: 0.7°
- Noise Figure: 12.4dB at 800MHz
- Conversion Gain: 3.3dB at 800MHz
- Baseband Bandwidth: 130MHz
- Single Ended, 50Ω Matched 2XLO Input
- Shutdown Mode
- 16-Lead QFN (4mm × 4mm) Package with Exposed Pad

## APPLICATIONS

- Wireless Infrastructure
- High Linearity Direct Conversion I/Q Receiver
- High Linearity I/Q Demodulator

## DESCRIPTION

The LT<sup>®</sup>5517 is a 40MHz to 900MHz quadrature demodulator optimized for high linearity receiver applications where high dynamic range is important. It is suitable for communications receivers where an RF or IF signal is directly converted into I and Q baseband signals with a bandwidth up to 130MHz. The LT5517 incorporates balanced I and Q mixers, LO buffer amplifiers and a precision, broadband quadrature generator derived from an on-chip divide-by-two circuit.

The superior linearity and low noise performance of the LT5517 is achieved across its full frequency range. A well-balanced divide-by-two circuit generates precision quadrature LO carriers to drive the I mixer and the Q mixer. Consequently, the outputs of the I-channel and the Q-channel are well matched in amplitude, and their phases are 90° apart. The LT5517 also provides excellent 50Ω impedance matching at the 2XLO port across its entire frequency range.

LT, LTC and LT are registered trademarks of Linear Technology Corporation.

## TYPICAL APPLICATION

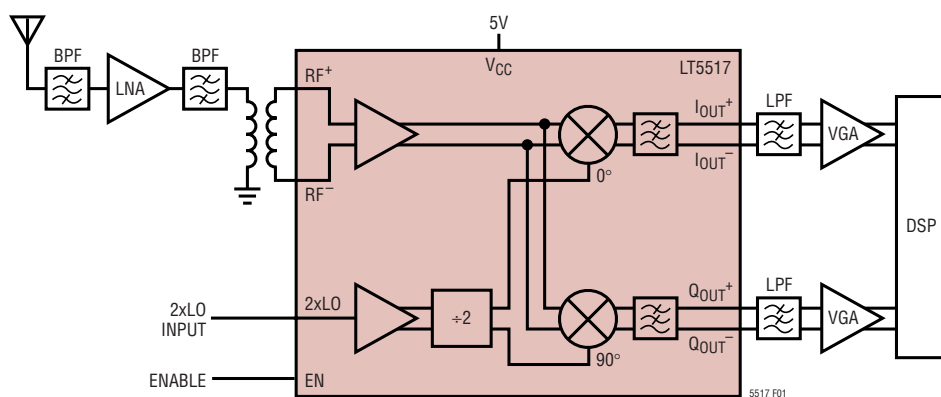
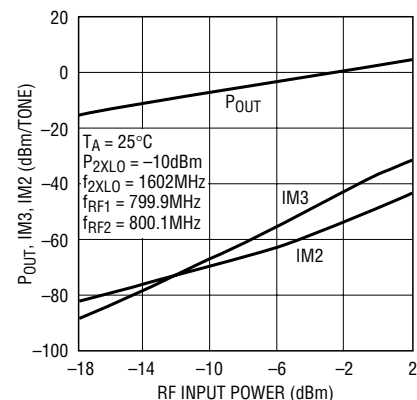


Figure 1. High Signal-Level I/Q Demodulator for 450MHz Infrastructure Receiver

I/Q Output Power, IM3, IM2  
 vs RF Input Power



5517 F01b

**ABSOLUTE MAXIMUM RATINGS**

(Note 1)

Power Supply Voltage .....	5.5V
Enable Voltage .....	0V, $V_{CC}$
2XLO Voltage (10dBm Equivalent) .....	$\pm 1V$
RF <sup>+</sup> to RF <sup>-</sup> Differential Voltage (10dBm Equivalent) .....	$\pm 2V$
Operating Ambient Temperature .....	-40°C to 85°C
Storage Temperature Range .....	-65°C to 125°C
Maximum Junction Temperature .....	125°C

**PACKAGE/ORDER INFORMATION**

<p>TOP VIEW</p> <p>16-LEAD (4mm × 4mm) PLASTIC QFN EXPOSED PAD (PIN 17) IS GND, MUST BE SOLDERED TO PCB <math>T_{JMAX} = 125^{\circ}C, \theta_{JA} = 37^{\circ}C/W</math></p>	ORDER PART NUMBER
	LT5517EUF
	UF PART MARKING
	5517

Consult LTC Marketing for parts specified with wider operating temperature ranges.

**AC ELECTRICAL CHARACTERISTICS**

$T_A = 25^{\circ}C, V_{CC} = 5V, EN = V_{CC}, f_{RF1} = 799.9MHz, f_{RF2} = 800.1MHz, f_{2XLO} = 1602MHz, P_{2XLO} = -10dBm$ , unless otherwise noted. (Notes 2, 3) (Test circuit shown in Figure 2)

PARAMETER	CONDITIONS	MIN	TYP	MAX	UNITS
RF Frequency Range			40 to 900		MHz
2XLO Frequency Range			80 to 1800		MHz
2XLO Power			-15 to 0		dBm
2XLO Port Return Loss	Internally Matched to a 50Ω Source		20		dB
Conversion Gain	Voltage Gain, Load Impedance = 1kΩ	0	3.3		dB
Gain Variation vs Temperature	-40°C to 85°C		0.01		dB/°C
Noise Figure			12.4		dB
Input 3rd Order Intercept	2-Tone, -10dBm/Tone, $\Delta f = 200kHz$		21		dBm
Input 2nd Order Intercept	2-Tone, -10dBm/Tone, $\Delta f = 200kHz$		58		dBm
Input 1dB Compression			10		dBm
Baseband Bandwidth			130		MHz
I/Q Gain Mismatch	(Note 4)	-0.3	0.03	0.3	dB
I/Q Phase Mismatch	(Note 4)	-3.5	0.7	3.5	deg
Output Impedance	Differential		120		Ω
2XLO to RF Leakage			-69		dBm
LO to RF Leakage			-80		dBm
RF to 2XLO Isolation			63		dB



**DC ELECTRICAL CHARACTERISTICS**  $T_A = 25^\circ\text{C}$ .  $V_{CC} = 5\text{V}$  unless otherwise noted.

PARAMETER	CONDITIONS	MIN	TYP	MAX	UNITS
Supply Voltage		4.5		5.25	V
Supply Current		70	90	110	mA
Shutdown Current	EN = LOW		0.1	20	$\mu\text{A}$
Turn-On Time	(Note 5)		200		ns
Turn-Off Time	(Note 5)		300		ns
EN = HIGH (On)		1.6			V
EN = LOW (Off)				1.3	V
EN Input Current	$V_{ENABLE} = 5\text{V}$		2		$\mu\text{A}$
Output DC Offset Voltage ( $ I_{OUT^+} - I_{OUT^-} $ , $ Q_{OUT^+} - Q_{OUT^-} $ )	$f_{LO} = 1602\text{MHz}$ , $P_{LO} = -10\text{dBm}$		0.5	30	mV
Output DC Offset Variation vs Temperature	$-40^\circ\text{C}$ to $85^\circ\text{C}$		7		$\mu\text{V}/^\circ\text{C}$

**Note 1:** Absolute Maximum Ratings are those values beyond which the life of a device may be impaired.

**Note 2:** Tests are performed as shown in the configuration of Figure 2.

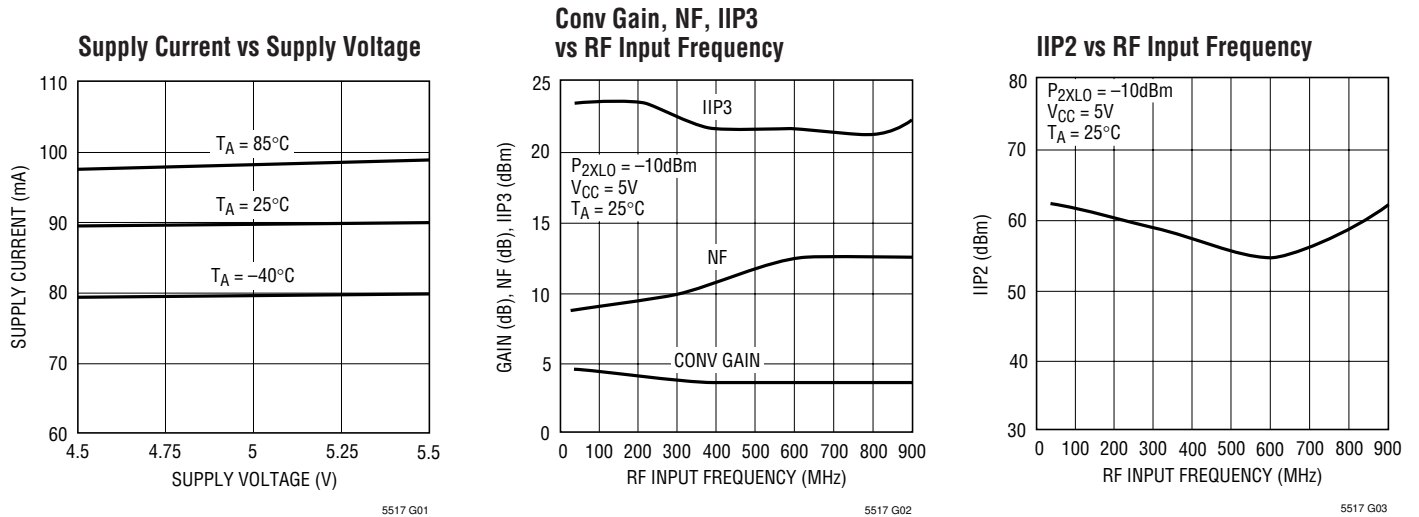
**Note 3:** Specifications over the  $-40^\circ\text{C}$  to  $85^\circ\text{C}$  temperature range are assured by design, characterization and correlation with statistical process control.

**Note 4:** Measured at  $P_{2XLO} = -10\text{dBm}$  and output frequency = 1MHz.

**Note 5:** Turn ON and Turn OFF times are based on rise and fall times of the output baseband voltage with RF input power of  $-10\text{dBm}$ .

**TYPICAL PERFORMANCE CHARACTERISTICS**

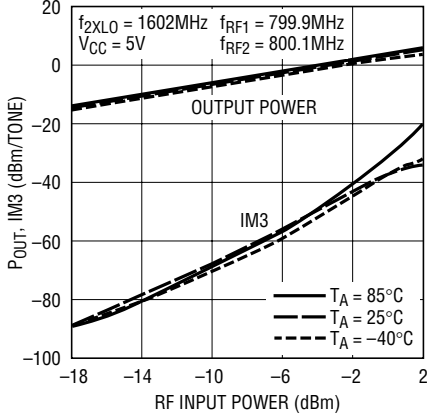
$f_{RF} = 800\text{MHz}$ ,  $P_{2XLO} = -10\text{dBm}$ , unless otherwise noted. (Test circuit shown in Figure 2)



# TYPICAL PERFORMANCE CHARACTERISTICS

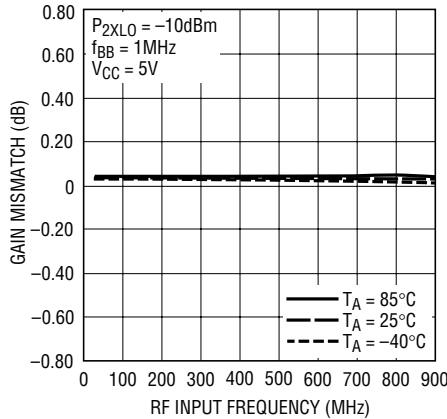
$f_{RF} = 800\text{MHz}$ ,  $P_{2XLO} = -10\text{dBm}$ , unless otherwise noted. (Test circuit shown in Figure 2)

**I/Q Output Power, IM3 vs RF Input Power**



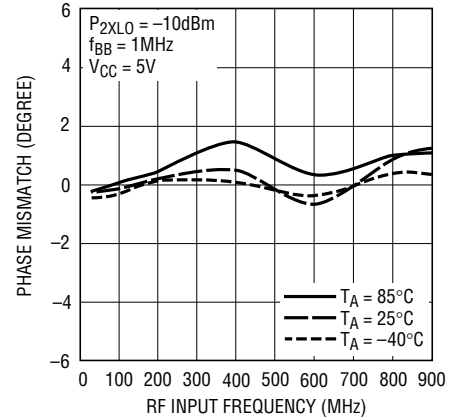
5517 G04

**I/Q Gain Mismatch vs RF Input Frequency**



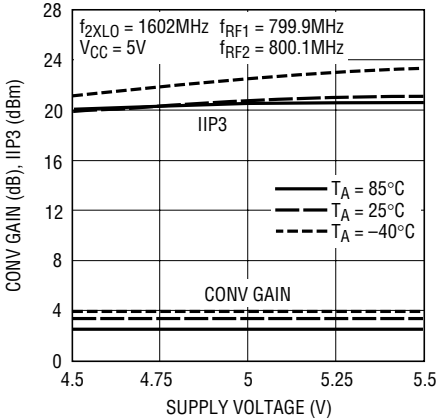
5517 G05

**I/Q Phase Mismatch vs RF Input Frequency**



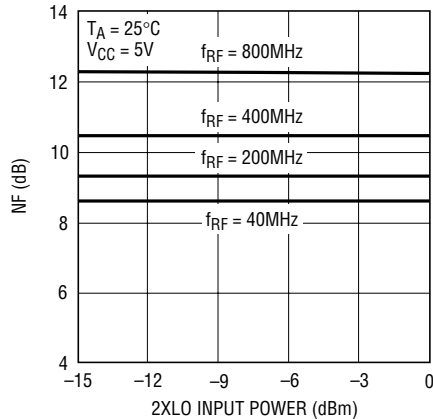
5517 G06

**Conv Gain, IIP3 vs Supply Voltage**



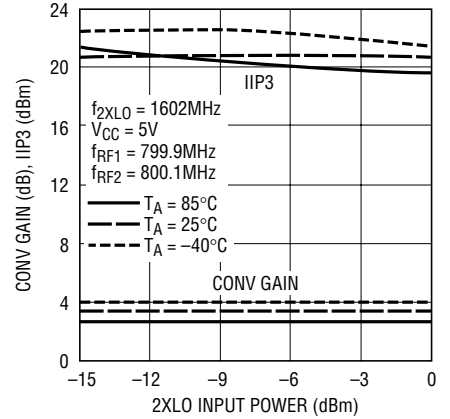
5517 G07

**NF vs 2XLO Input Power**



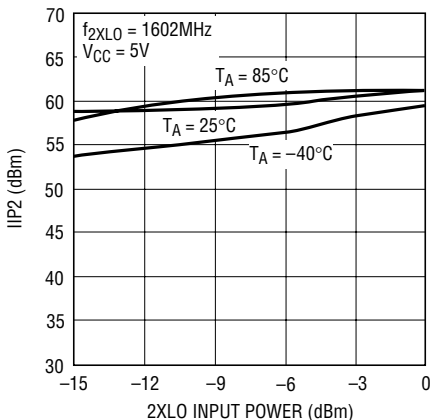
5517 G08

**Conv Gain, IIP3 vs 2XLO Input Power**



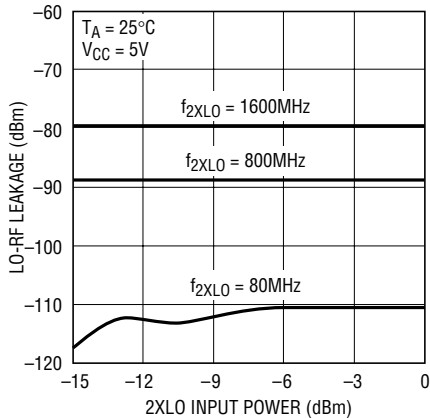
5517 G09

**IIP2 vs 2XLO Input Power**



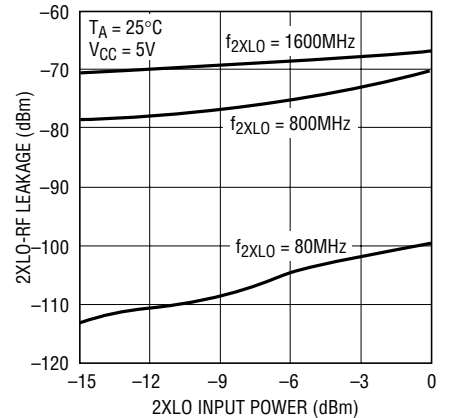
5517 G10

**LO-RF Leakage vs 2XLO Input Power**



5517 G11

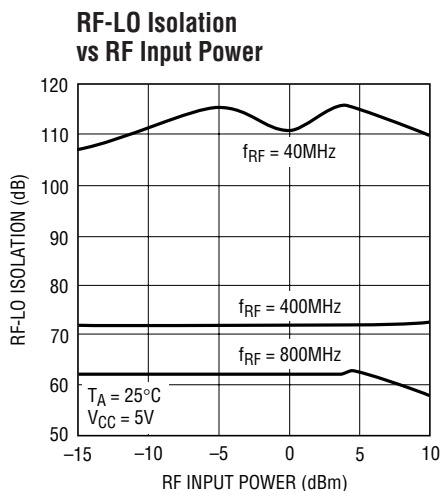
**2XLO-RF Leakage vs 2XLO Input Power**



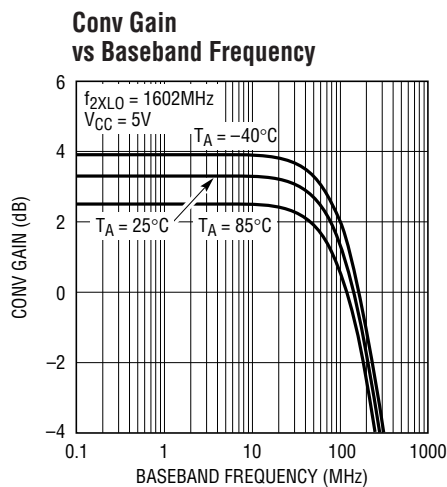
5517 G12

## TYPICAL PERFORMANCE CHARACTERISTICS

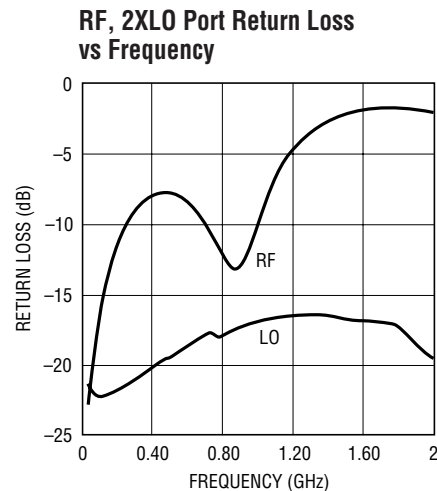
$f_{RF} = 800\text{MHz}$ ,  $P_{2XLO} = -10\text{dBm}$ , unless otherwise noted. (Test circuit shown in Figure 2)



5517 G13



5517 G14



5517 G15

## PIN FUNCTIONS

**GND<sub>RF</sub> (Pins 1, 4):** Ground Pins for RF Termination. These pins are not internally connected, and should be connected to the PCB ground plane for best RF isolation.

**RF<sup>+</sup>, RF<sup>-</sup> (Pins 2, 3):** Differential RF Input Pins. These pins are internally biased to 2.30V. These two pins should be DC blocked when connected to ground or other matching components. The inputs can be terminated in a single-ended configuration, but differential input drive is preferred for best performance. An external matching network is required for impedance transformation.

**EN (Pin 5):** Enable Pin. When the input voltage is higher than 1.6V, the circuit is completely turned on. When the input voltage is less than 1.3V, the circuit is turned off.

**V<sub>CC</sub> (Pins 6, 7, 8, 12):** Power Supply Pins. These pins should be decoupled using 1000pF and 0.1μF capacitors.

**GND (Pins 9, 11):** Ground Pins. These pins are internally tied together and to the Exposed Pad. They should be connected to the PCB ground plane.

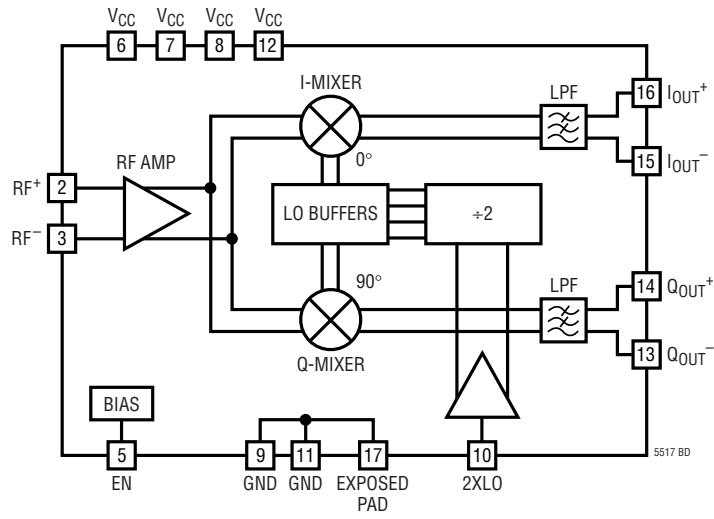
**2XLO (Pin 10):** 2XLO Input Pin. This pin is internally biased to 1V. The input signal's frequency should be twice that of the desired demodulator LO frequency. The pin should be AC coupled with an external DC blocking capacitor.

**Q<sub>OUT</sub><sup>-</sup>, Q<sub>OUT</sub><sup>+</sup> (Pins 13, 14):** Differential Baseband Output Pins of the Q-Channel. The internal DC bias voltage is  $V_{CC} - 0.78\text{V}$  for each pin.

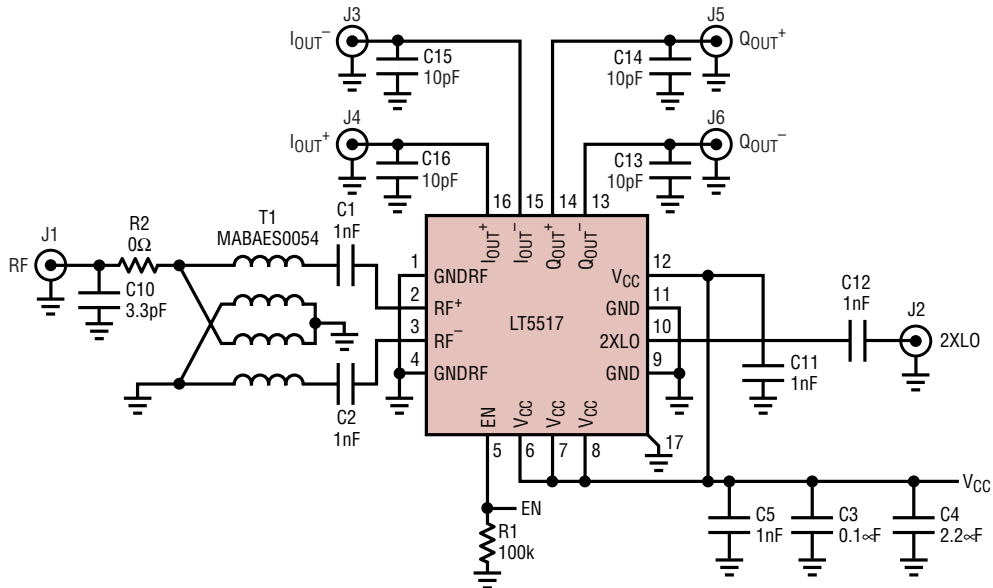
**I<sub>OUT</sub><sup>-</sup>, I<sub>OUT</sub><sup>+</sup> (Pins 15, 16):** Differential Baseband Output Pins of the I-Channel. The internal DC bias voltage is  $V_{CC} - 0.78\text{V}$  for each pin.

**Exposed Pad (Pin 17):** Ground Return for the Entire IC. This pin must be soldered to the printed circuit board ground plane.

**BLOCK DIAGRAM**



# TEST CIRCUIT



REFERENCE DESIGNATION	VALUE	SIZE	PART NUMBER
C1,C2,C5,C11,C12	1nF	0603	AVX 06033A102JAT1A
C3	0.1 $\mu$ F	0603	TAIYO YUDEN EMK107B
C4	2.2 $\mu$ F	0603	TAIYO YUDEN JMK107B
C10	3.3pF	0603	AVX 06033A3R3KAT2A
C13 TO C16	10pF	0805	AVX 08055A100ZAT1A
R1	100k	0603	OPTIONAL
R2	0 $\Omega$	0603	JUMPER, OPTIONAL
T1	1:4		M/A COM MABAES0054

5517 F02

Figure 2. Evaluation Circuit Schematic

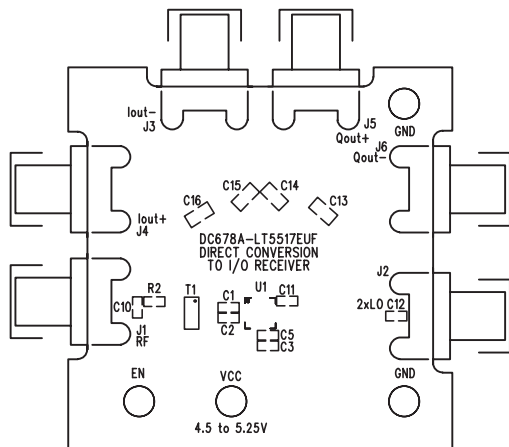


Figure 3. Component Side Silkscreen of Evaluation Board

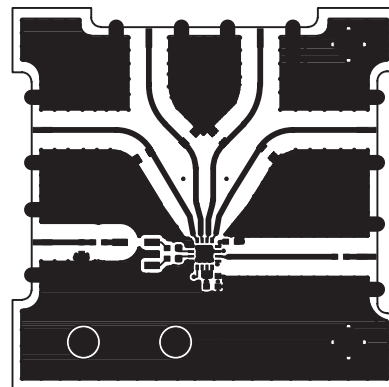


Figure 4. Component Side Layout of Evaluation Board



## APPLICATIONS INFORMATION

The LT5517 is a direct I/Q demodulator targeting high linearity receiver applications. It consists of an RF amplifier, I/Q mixers, a quadrature LO carrier generator and bias circuitry.

The RF signal is applied to the inputs of the RF amplifier, and is then demodulated into I-channel and Q-channel baseband signals using precision quadrature LO signals, which are internally generated using a divide-by-two circuit. The demodulated I/Q signals are lowpass filtered internally with a  $-3\text{dB}$  bandwidth of  $130\text{MHz}$ . The differential outputs of the I-channel and Q-channel are well matched in amplitude and their phases are  $90^\circ$  apart across the full frequency range from  $40\text{MHz}$  to  $900\text{MHz}$ .

### RF Input Port

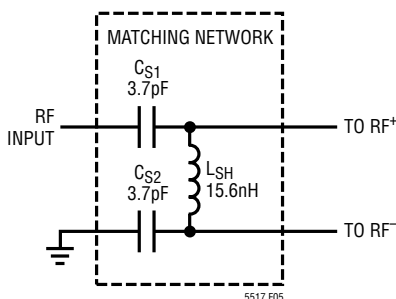
Differential drive is recommended for the RF inputs as shown in Figure 2. A low loss 1:4 transformer is used on the demonstration board for a wide bandwidth input impedance match and to assure good noise figure and maximum demodulator gain. Single-ended to differential conversion can also be implemented using narrowband L-C circuits to produce the required balanced waveforms at the  $\text{RF}^+$  and  $\text{RF}^-$  inputs using three discrete elements as shown in Figure 5. Nominal values are listed in Table 1. (In practice, these values should be compensated according to the parasitics of the PCB.) The conversion gain and NF

of the receiver are similar to those of the transformer-coupled demo board, because the single-ended to differential conversion has a 1:4 impedance transformation, similar to the transformer.

**Table 1. The Component Values of Matching Network  $L_{SH}$ ,  $C_{S1}$  and  $C_{S2}$**

FREQUENCY (MHz)	$L_{SH}$ (nH)	$C_{S1}, C_{S2}$ (pF)
40	437	71.1
100	169	28.6
200	80.8	14.3
300	51.5	9.6
400	37	7.2
500	28.3	5.8
600	22.6	4.9
700	18.5	4.2
800	15.6	3.7
900	13.5	3.3

The differential impedance of the RF inputs is listed in Table 2. The RF inputs may also be terminated in a single-ended configuration. In this case either the  $\text{RF}^+$  or the  $\text{RF}^-$  input can be simply AC coupled to a  $50\Omega$  source, while the other RF input is connected to ground with a  $1\text{nF}$  capacitor. Note, however, that this will result in degraded conversion gain and noise figure in most cases.



**Figure 5. RF Input Matching Network at 800MHz**

## APPLICATIONS INFORMATION

Table 2. RF Input Differential Impedance

FREQUENCY (MHz)	DIFFERENTIAL INPUT IMPEDANCE ( $\Omega$ )	DIFFERENTIAL S11	
		MAG	ANGLE( $^{\circ}$ )
40	240.1-j10.3	0.665	-0.8
100	245.5-j25.9	0.664	-2.5
200	236.8-j50.0	0.664	-5.1
300	223.6-j70.5	0.663	-7.6
400	207.9-j86.3	0.662	-10.2
500	190.6-j98.1	0.660	-12.7
600	173.2-j105.8	0.657	-15.3
700	156.2-j110.2	0.655	-17.9
800	141.2-j111.8	0.651	-20.4
900	129.5-j114.5	0.650	-22.9

### 2XLO Input Port

To ease the interface of the receiver with the external 2XLO input, the 2XLO port is designed with on-chip  $50\Omega$  impedance matching up to 2GHz. The input is internally biased at 1V. A 1nF DC blocking capacitor is required when connected to the external 2XLO source.

The 2XLO frequency is required to be twice the desired operating frequency in order for the chip to generate the

quadrature Local Oscillator (LO) signals for the demodulator. The on-chip divide-by-two circuit delivers well-matched, quadrature LO carriers to the I mixer and the Q mixer.

### I-Channel and Q-Channel Outputs

Each of the I-channel and Q-channel outputs is internally connected to  $V_{CC}$  through a  $60\Omega$  resistor. The output DC bias voltage is  $V_{CC} - 0.78V$ . The outputs can be DC coupled or AC coupled to the external loads. The differential output impedance of the demodulator is  $120\Omega$  in parallel with a 10pF internal capacitor, forming a lowpass filter with a -3dB corner frequency at 130MHz. The load impedance,  $R_{LOAD}$ , should be larger than  $600\Omega$  to assure full gain. The gain is reduced by  $20 \cdot \log(1 + 120\Omega/R_{LOAD})$  in dB when the differential output is terminated by  $R_{LOAD}$ . For example, the gain is reduced by 6.85dB when each output pin is connected to a  $50\Omega$  load (or  $100\Omega$  differential loads). The output should be taken differentially (or by using differential-to-single-ended conversion) for best RF performance, including NF and IM2. Proper filtering of the unwanted high frequency mixing product is also important to maintain the highest linearity. A convenient

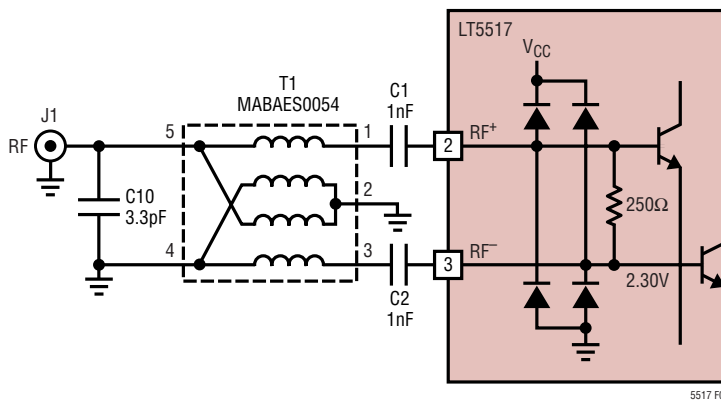


Figure 6. RF Input Equivalent Circuit with External Broadband Matching

## APPLICATIONS INFORMATION

approach is to terminate each output with a shunt capacitor. The capacitor value can be optimized depending upon the operating frequency and the specific PCB layout.

The phase relationship between the I-channel output signal and the Q-channel output signal is fixed. When the LO input frequency is higher than the RF input frequency, then the Q-channel outputs ( $Q_{OUT}^+$ ,  $Q_{OUT}^-$ ) lead the I-channel outputs ( $I_{OUT}^+$ ,  $I_{OUT}^-$ ) by  $90^\circ$ .

When the LO input frequency is lower than the RF input frequency, then the Q-channel outputs lag the I-channel outputs by  $90^\circ$ . Note that the phase relationship of the I- and Q-channel outputs relative to the LO can vary by  $180^\circ$ , depending on start-up conditions. This is the nature of a frequency divider-based quadrature phase generator.

When AC output coupling is used, the resulting highpass filter's  $-3\text{dB}$  roll-off frequency is defined by the R-C constant of the blocking capacitor and  $R_{LOAD}$ , assuming  $R_{LOAD} > 600\Omega$ .

Care should be taken when the demodulator's outputs are DC coupled to the external load to make sure that the I/Q mixers are biased properly. If the current drain from the outputs exceeds  $6\text{mA}$ , there can be significant degradation of the linearity performance. Each output can sink no more than  $13\text{mA}$  when connected to an external load with a DC voltage higher than  $V_{CC} - 0.78\text{V}$ .

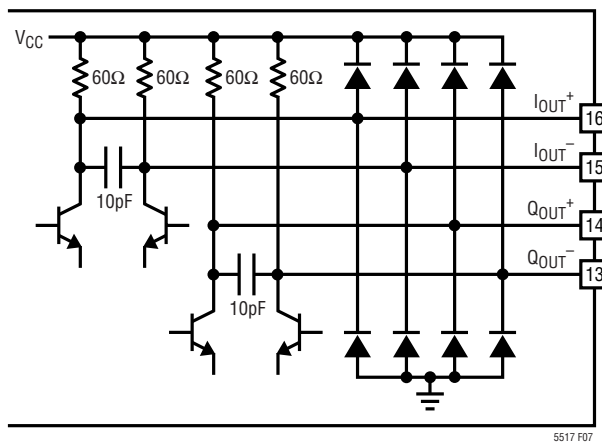
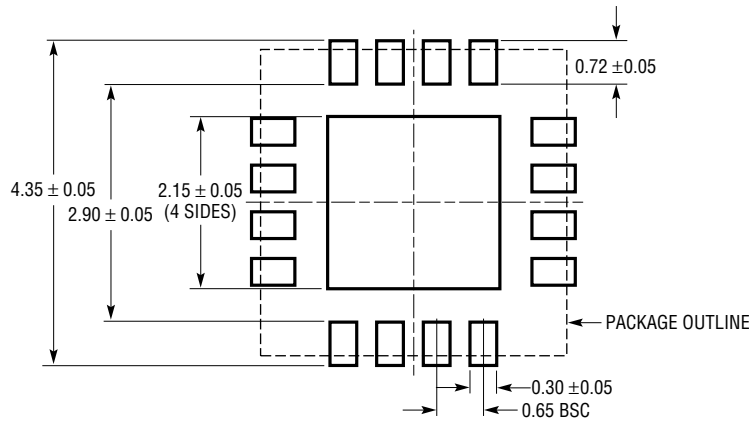


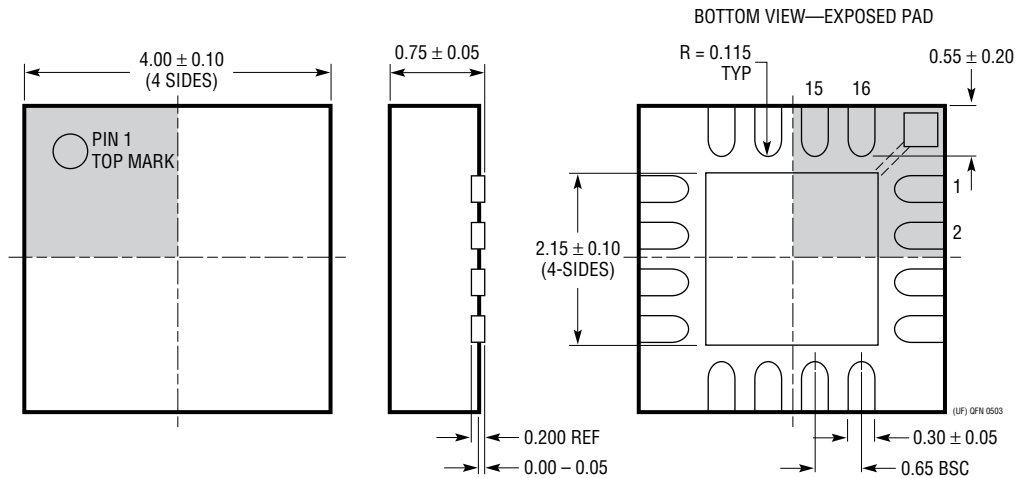
Figure 7. I/Q Output Equivalent Circuit

**PACKAGE DESCRIPTION**

**UF Package**  
**16-Lead Plastic QFN (4mm × 4mm)**  
 (Reference LTC DWG # 05-08-1692)



RECOMMENDED SOLDER PAD PITCH AND DIMENSIONS



- NOTE:
1. DRAWING CONFORMS TO JEDEC PACKAGE OUTLINE MO-220 VARIATION (WGFC)
  2. ALL DIMENSIONS ARE IN MILLIMETERS
  3. DIMENSIONS OF EXPOSED PAD ON BOTTOM OF PACKAGE DO NOT INCLUDE MOLD FLASH. MOLD FLASH, IF PRESENT, SHALL NOT EXCEED 0.15mm ON ANY SIDE
  4. EXPOSED PAD SHALL BE SOLDER PLATED

## RELATED PARTS

PART NUMBER	DESCRIPTION	COMMENTS
<b>Infrastructure</b>		
LT5511	High Linearity Upconverting Mixer	RF Output to 3GHz, 17dBm IIP3, Integrated LO Buffer
LT5512	DC-3GHz High Signal Level Downconverting Mixer	DC to 3GHz, 21dBm IIP3, Integrated LO Buffer
LT5515	1.5GHz to 2.5GHz Direct Conversion Quadrature Demodulator	20dBm IIP3, Integrated LO Quadrature Generator
LT5516	0.8GHz to 1.5GHz Direct Conversion Quadrature Demodulator	21.5dBm IIP3, Integrated LO Quadrature Generator
LT5520	1.3GHz to 2.3GHz High Linearity Upconverting Mixer	15.9dBm IIP3, Single Ended, 50Ω Matched RF and LO Ports
LT5522	600MHz to 2.7GHz High Signal Level Downconverting Mixer	4.5V to 5.25V Supply, 25dBm IIP3 at 900MHz, NF = 12.5dB, 50Ω Single-Ended RF and LO Ports
<b>RF Power Detectors</b>		
LT5504	800MHz to 2.7GHz RF Measuring Receiver	80dB Dynamic Range, Temperature Compensated, 2.7V to 5.25V Supply
LTC®5505	RF Power Detectors with >40dB Dynamic Range	300MHz to 3GHz, Temperature Compensated, 2.7V to 6V Supply
LTC5507	100kHz to 1000MHz RF Power Detector	100kHz to 1GHz, Temperature Compensated, 2.7V to 6V Supply
LTC5508	300MHz to 7GHz RF Power Detector	44dB Dynamic Range, Temperature Compensated, SC70 Package
LTC5509	300MHz to 3GHz RF Power Detector	36dB Dynamic Range, Low Power Consumption, SC70 Package
LTC5532	300MHz to 7GHz Precision RF Power Detector	Precision V <sub>OUT</sub> Offset Control, Adjustable Gain and Offset
<b>RF Building Blocks</b>		
LT5500	1.8GHz to 2.7GHz Receiver Front End	1.8V to 5.25V Supply, Dual-Gain LNA, Mixer, LO Buffer
LT5502	400MHz Quadrature IF Demodulator with RSSI	1.8V to 5.25V Supply, 70MHz to 400MHz IF, 84dB Limiting Gain, 90dB RSSI Range
LT5503	1.2GHz to 2.7GHz Direct IQ Modulator and Upconverting Mixer	1.8V to 5.25V Supply, Four-Step RF Power Control, 120MHz Modulation Bandwidth
LT5506	500MHz Quadrature IF Demodulator with VGA	1.8V to 5.25V Supply, 40MHz to 500MHz IF, -4dB to 57dB Linear Power Gain, 8.8MHz Baseband Bandwidth
LT5546	500MHz Quadrature IF Demodulator with VGA and 17MHz Baseband Bandwidth	17MHz Baseband Bandwidth, 40MHz to 500MHz IF, 1.8V to 5.25V Supply, -7dB to 56dB Linear Power Gain
<b>RF Power Controllers</b>		
LTC1757A	RF Power Controller	Multiband GSM/DCS/GPRS Mobile Phones
LTC1758	RF Power Controller	Multiband GSM/DCS/GPRS Mobile Phones
LTC1957	RF Power Controller	Multiband GSM/DCS/GPRS Mobile Phones
LTC4400	SOT-23 RF PA Controller	Multiband GSM/DCS/GPRS Phones, 45dB Dynamic Range, 450kHz Loop BW
LTC4401	SOT-23 RF PA Controller	Multiband GSM/DCS/GPRS Phones, 45dB Dynamic Range, 250kHz Loop BW
LTC4403	RF Power Controller for EDGE/TDMA	Multiband GSM/GPRS/EDGE Mobile Phones