



Chipsmall Limited consists of a professional team with an average of over 10 year of expertise in the distribution of electronic components. Based in Hongkong, we have already established firm and mutual-benefit business relationships with customers from,Europe,America and south Asia,supplying obsolete and hard-to-find components to meet their specific needs.

With the principle of “Quality Parts,Customers Priority,Honest Operation,and Considerate Service”,our business mainly focus on the distribution of electronic components. Line cards we deal with include Microchip,ALPS,ROHM,Xilinx,Pulse,ON,Everlight and Freescale. Main products comprise IC,Modules,Potentiometer,IC Socket,Relay,Connector.Our parts cover such applications as commercial,industrial, and automotives areas.

We are looking forward to setting up business relationship with you and hope to provide you with the best service and solution. Let us make a better world for our industry!



## Contact us

Tel: +86-755-8981 8866 Fax: +86-755-8427 6832

Email & Skype: info@chipsmall.com Web: www.chipsmall.com

Address: A1208, Overseas Decoration Building, #122 Zhenhua RD., Futian, Shenzhen, China



# 3.3V Low Power EIA/TIA-562 Transceiver

## FEATURES

- Operates from a Single 3.3V Supply
- Low Supply Current:  $I_{CC} = 200\mu\text{A}$
- $I_{CC} = 35\mu\text{A}$  in Driver Disable Mode
- $I_{CC} = 0.2\mu\text{A}$  in Shutdown Mode
- ESD Protection Over  $\pm 10\text{kV}$
- Uses Small Capacitors:  $0.1\mu\text{F}$
- Operates to 120kBaud
- Output Overvoltage Does Not Force Current Back into Supplies
- EIA/TIA-562 I/O Lines Can Be Forced to  $\pm 25\text{V}$  Without Damage
- Pin Compatible with LT1180A

## APPLICATIONS

- Notebook Computers
- Palmtop Computers

## DESCRIPTION

The LTC<sup>®</sup>1385 is an ultra-low power, 2-driver/2-receiver EIA/TIA-562 transceiver which operates from a single 3.3V supply. The charge pump requires only four space-saving  $0.1\mu\text{F}$  capacitors.

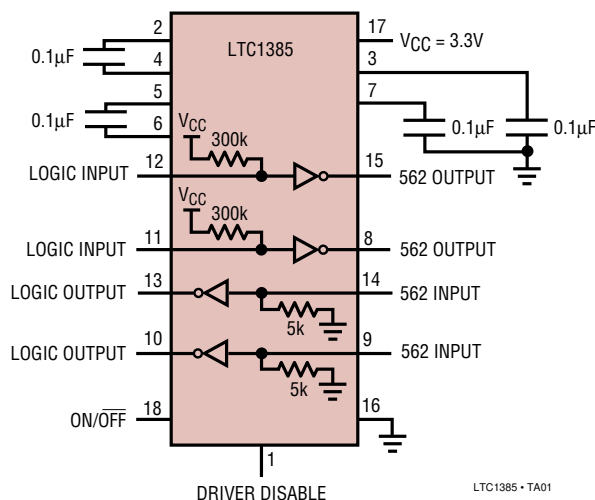
The transceiver operates in one of three modes: Normal, Driver Disable or Shutdown. In the Normal mode,  $I_{CC}$  is only  $200\mu\text{A}$  in the unloaded condition. In the Driver Disable mode, the charge pump is turned off, the driver outputs are forced into three-state, both receivers are kept active, and  $I_{CC}$  drops to  $35\mu\text{A}$ . In the Shutdown mode, everything is turned off and  $I_{CC}$  drops to  $0.2\mu\text{A}$ .

The LTC1385 is fully compliant with all data rate and overvoltage EIA/TIA-562 specifications. The transceiver can operate up to 120kbaud with a  $1000\text{pF}$ ,  $3\text{k}\Omega$  load. Both driver outputs and receiver inputs can be forced to  $\pm 25\text{V}$  without damage, and can survive multiple  $\pm 10\text{kV}$  ESD strikes.

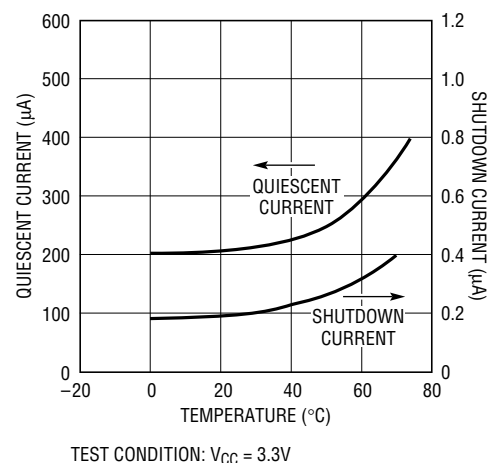
LTC, LTC and LT are registered trademarks of Linear Technology Corporation.

## TYPICAL APPLICATION

2-Drivers/2-Receivers with Shutdown and Driver Disable



Quiescent and Shutdown Supply Current vs Temperature



## ABSOLUTE MAXIMUM RATINGS

|                                   |                          |  |                |
|-----------------------------------|--------------------------|--|----------------|
| Supply Voltage ( $V_{CC}$ ) ..... | 5V                       | Short-Circuit Duration                     |                |
| Input Voltage                     |                          | $V^+$ .....                                | 30 sec         |
| Driver .....                      | -0.3V to $V_{CC} + 0.3V$ | $V^-$ .....                                | 30 sec         |
| Receiver .....                    | -25V to 25V              | Driver Output .....                        | Indefinite     |
| Digital Input .....               | -0.3V to $V_{CC} + 0.3V$ | Receiver Output .....                      | Indefinite     |
| Output Voltage                    |                          | Operating Temperature Range                |                |
| Driver .....                      | -25V to 25V              | LTC1385C .....                             | 0°C to 70°C    |
| Receiver .....                    | -0.3V to $V_{CC} + 0.3V$ | LTC1385I .....                             | -40°C to 85°C  |
|                                   |                          | Storage Temperature Range .....            | -65°C to 150°C |
|                                   |                          | Lead Temperature (Soldering, 10 sec) ..... | 300°C          |

## PACKAGE/ORDER INFORMATION

|   |   |   |   |
|---|---|---|---|
| <p>TOP VIEW</p> <p>G PACKAGE<br/>20-LEAD SSOP</p> <p><math>T_{JMAX} = 125^{\circ}C, \theta_{JA} = 135^{\circ}C/W</math></p> | <p>ORDER PART NUMBER</p> <p>LTC1385CG<br/>LTC1385IG</p> | <p>TOP VIEW</p> <p>N PACKAGE<br/>18-LEAD PDIP</p> <p>SW PACKAGE<br/>18-LEAD PLASTIC SO</p> <p><math>T_{JMAX} = 125^{\circ}C, \theta_{JA} = 85^{\circ}C/W</math></p> | <p>ORDER PART NUMBER</p> <p>LTC1385CN<br/>LTC1385CSW<br/>LTC1385IN<br/>LTC1385ISW</p> |
|---|---|---|---|

Consult LTC Marketing for parts specified with wider operating temperature ranges.

## DC ELECTRICAL CHARACTERISTICS

The ● denotes specifications which apply over the full operating temperature range.  $V_{CC} = 3.3V$ ,  $C1 = C2 = C3 = C4 = 0.1\mu F$ ,  $V_{ON/OFF} = V_{CC}$ , Driver Disable =  $V_{CC}$ , unless noted.

| PARAMETER                    | CONDITIONS   | MIN                      | TYP        | MAX         | UNITS              |
|------------------------------|--|--------------------------|------------|-------------|--------------------|
| <b>Any Driver</b>            |  |                          |            |             |                    |
| Output Voltage Swing         | 3k to GND  | Positive ●<br>Negative ● | 3.7<br>4.5 | 4.5<br>-4.5 | V<br>V             |
| Logic Input Voltage Level    | Input Low Level ( $V_{OUT} = \text{High}$ )<br>Input High Level ( $V_{OUT} = \text{Low}$ ) | ●<br>●                   | 1.4<br>1.4 | 0.8         | V<br>V             |
| Logic Input Current          | $V_{IN} = V_{CC}$<br>$V_{IN} = 0V$   | ●<br>●                   |            | 5<br>-20    | $\mu A$<br>$\mu A$ |
| Output Short-Circuit Current | $V_{OUT} = 0V$   |                          | $\pm 10$   |             | mA                 |
| Output Leakage Current       | Shutdown or Driver Disable or $V_{CC} = 0V$ (Note 3,4),<br>$V_{OUT} = \pm 20V$             | ●                        | $\pm 10$   | $\pm 500$   | $\mu A$            |



## DC ELECTRICAL CHARACTERISTICS

The ● denotes specifications which apply over the full operating temperature range.  $V_{CC} = 3.3V$ ,  $C1 = C2 = C3 = C4 = 0.1\mu F$ ,  $V_{ON/OFF} = V_{CC}$ , Driver Disable =  $V_{CC}$ , unless noted.

| PARAMETER                           | CONDITIONS  |   | MIN | TYP  | MAX | UNITS      |
|-------------------------------------|---|---|-----|------|-----|------------|
| <b>Any Receiver</b>                 |   |   |     |      |     |            |
| Input Voltage Thresholds            | Input Low Threshold                                   | ● | 0.8 | 1.3  |     | V          |
|                                     | Input High Threshold                                  | ● |     | 1.7  | 2.4 | V          |
| Hysteresis                          |   | ● | 0.1 | 0.4  | 1.0 | V          |
| Input Resistance                    | $-10V \leq V_{IN} \leq 10V$                           |   | 3   | 5    | 7   | k $\Omega$ |
| Output Voltage                      | Output Low, $I_{OUT} = -1.6mA$ ( $V_{CC} = 3.3V$ )    | ● |     | 0.2  | 0.4 | V          |
|                                     | Output High, $I_{OUT} = 160\mu A$ ( $V_{CC} = 3.3V$ ) | ● | 3.0 | 3.2  |     | V          |
| Output Short-Circuit Current        | Sinking Current, $V_{OUT} = V_{CC}$                   |   | -5  | -20  |     | mA         |
|                                     | Sourcing Current, $V_{OUT} = 0V$                      |   | 2   | 7    |     | mA         |
| Output Leakage Current              | Shutdown (Note 4), $0V \leq V_{OUT} \leq V_{CC}$      | ● |     | 1    | 10  | $\mu A$    |
| <b>Power Supply Generator</b>       |   |   |     |      |     |            |
| $V^+$ Output Voltage                | $I_{OUT} = 0mA$                                       |   |     | 5.7  |     | V          |
|                                     | $I_{OUT} = 5mA$                                       |   |     | 5.5  |     | V          |
| $V^-$ Output Voltage                | $I_{OUT} = 0mA$                                       |   |     | -5.3 |     | V          |
|                                     | $I_{OUT} = -5mA$                                      |   |     | -5.0 |     | V          |
| Supply Rise Time                    | Shutdown or Driver Disable to Turn-On                 |   |     | 0.2  |     | ms         |
| <b>Power Supply</b>                 |   |   |     |      |     |            |
| $V_{CC}$ Supply Current             | No Load (Note 2), $0^\circ C$ to $70^\circ C$         | ● |     | 0.2  | 0.5 | mA         |
|                                     | No Load (Note 2), $-40^\circ C$ to $85^\circ C$       | ● |     | 3.5  | 1.0 | mA         |
| Supply Leakage Current ( $V_{CC}$ ) | Shutdown (Note 4)                                     | ● |     | 0.2  | 10  | $\mu A$    |
|                                     | Driver Disable (Note 3)                               | ● |     | 35   | 50  | $\mu A$    |
| Digital Input Threshold Low         |   | ● |     | 1.4  | 0.8 | V          |
| Digital Input Threshold High        |   | ● | 2.0 | 1.4  |     | V          |

## AC CHARACTERISTICS

The ● denotes specifications which apply over the full operating temperature range.  $V_{CC} = 3.3V$ ,  $C1 = C2 = C3 = C4 = 0.1\mu F$ , unless noted.

| PARAMETER  | CONDITIONS               |   | MIN | TYP | MAX | UNITS      |
|--|--------------------------|---|-----|-----|-----|------------|
| Slew Rate  | $R_L = 3k, C_L = 51pF$   |   |     | 8   | 30  | V/ $\mu s$ |
|  | $R_L = 3k, C_L = 1000pF$ |   | 3   | 5   |     | V/ $\mu s$ |
| Driver Propagation Delay<br>(TTL to EIA/TIA-562)   | $t_{HLD}$ (Figure 1)     | ● |     | 2   | 3.5 | $\mu s$    |
|  | $t_{LHD}$ (Figure 1)     | ● |     | 2   | 3.5 | $\mu s$    |
| Receiver Propagation Delay<br>(EIA/TIA-562 to TTL) | $t_{HLR}$ (Figure 2)     | ● |     | 0.3 | 0.8 | $\mu s$    |
|  | $t_{LHR}$ (Figure 2)     | ● |     | 0.2 | 0.8 | $\mu s$    |

**Note 1:** Absolute Maximum Ratings are those values beyond which the life of the device may be impaired.

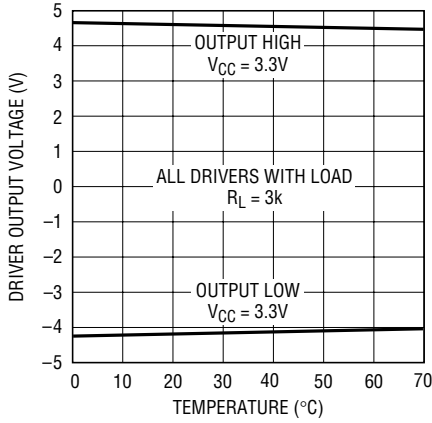
**Note 2:** Supply current is measured with driver and receiver outputs unloaded.

**Note 3:** Measurements made in the Driver Disable mode are performed with  $V_{DRIVER\ DISABLE} = GND$  and  $V_{ON/OFF} = V_{CC}$ .

**Note 4:** Measurements made in the Shutdown mode are performed with  $V_{ON/OFF} = 0V$ .

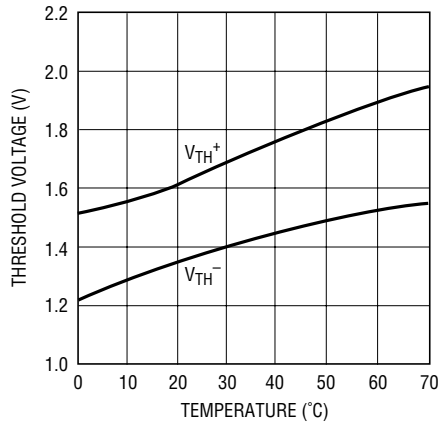
# TYPICAL PERFORMANCE CHARACTERISTICS

**Driver Output Voltage vs Temperature**



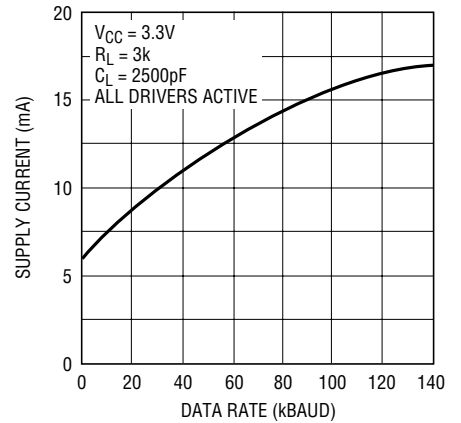
LTC1385 • TPC01

**Receiver Input Thresholds vs Temperature**



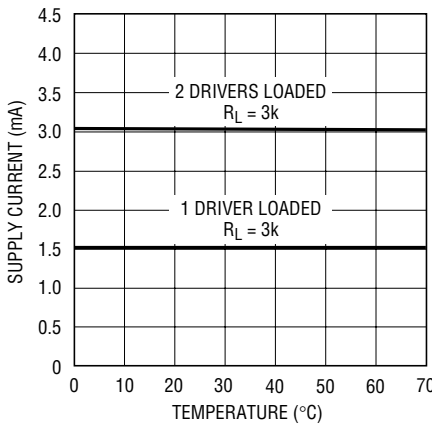
LTC1385 • TPC02

**Supply Current vs Data Rate**



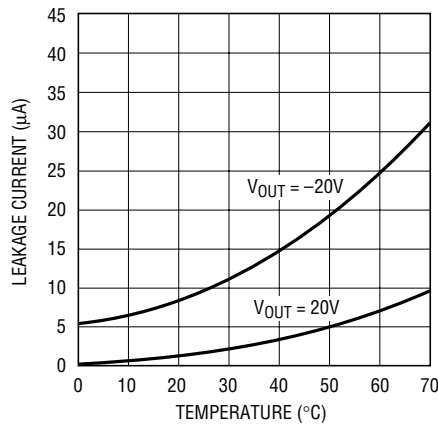
LTC1385 • TPC03

**VCC Supply Current vs Temperature**



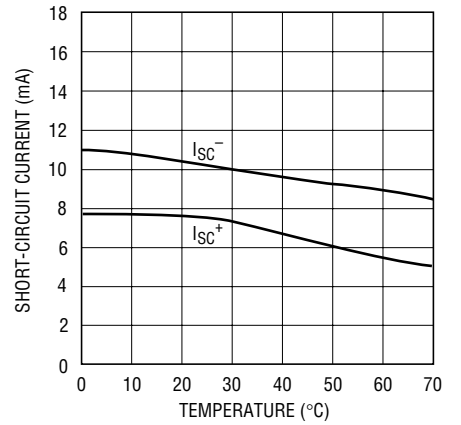
LTC1385 • TPC04

**Driver Leakage in Shutdown vs Temperature**



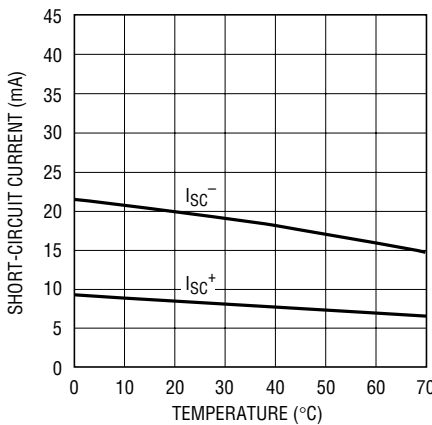
LTC1385 • TPC05

**Driver Short-Circuit Current vs Temperature**



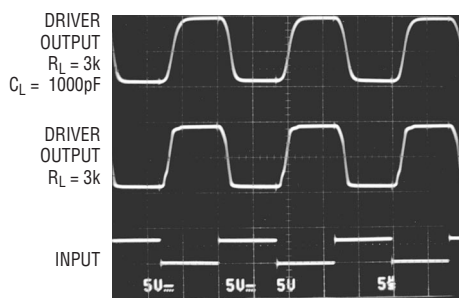
LTC1385 • TPC06

**Receiver Short-Circuit Current vs Temperature**



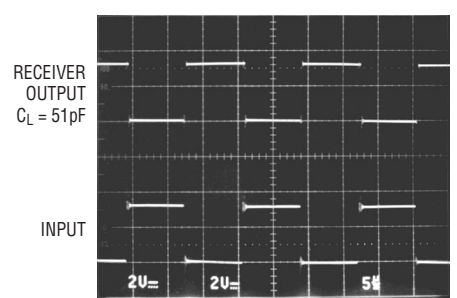
LTC1385 • TPC06

**Driver Output Waveforms**



LTC1385 • TPC08

**Receiver Output Waveform**



LTC1385 • TPC09

## PIN FUNCTIONS

**V<sub>CC</sub>**: 3.3V Input Supply Pin. This pin should be decoupled with a 0.1μF ceramic capacitor.

**GND**: Ground Pin.

**ON/OFF**: TTL/CMOS Compatible Shutdown Pin. A logic low puts the device in the Shutdown mode independent of the Driver Disable pin. The supply current drops to 0.2μA and all driver and receiver outputs are forced into three-state.

**DRIVER DISABLE**: TTL/CMOS Compatible Input Pin. With the ON/OFF pin held high, a logic low forces the part into the Driver Disable mode with the charge pump turned off and the driver outputs forced into three-state. Both receivers remain active and the supply current drops to 35μA. A logic high forces the part into the Normal mode.

**V<sup>+</sup>**: Positive Supply Output (EIA/TIA-562 Drivers).  $V^+ \cong 2V_{CC} - 1V$ . This pin requires an external capacitor  $C = 0.1\mu F$  for charge storage. The capacitor may be tied to ground or  $V_{CC}$ . With multiple devices, the  $V^+$  and  $V^-$  pins may share a common capacitor. For a large number of devices, increasing the size of the shared common storage capacitors is recommended to reduce ripple.

**V<sup>-</sup>**: Negative Supply Output (EIA/TIA-562 Drivers).  $V^- \cong -(2V_{CC} - 1.3V)$ . This pin requires an external capacitor  $C = 0.1\mu F$  for charge storage.

**C1<sup>+</sup>, C1<sup>-</sup>, C2<sup>+</sup>, C2<sup>-</sup>**: Commutating Capacitor Inputs. These pins require two external capacitors  $C = 0.1\mu F$ : one from C1<sup>+</sup> to C1<sup>-</sup>, and another from C2<sup>+</sup> to C2<sup>-</sup>. To maintain charge pump efficiency, the capacitor's effective series resistance should be less than 2Ω.

**TR IN**: EIA/TIA-562 Driver Input Pins. Inputs are TTL/CMOS compatible. The inputs of unused drivers can be left unconnected since 300k input pull-up resistors to  $V_{CC}$  are included on chip. To minimize power consumption, the internal driver pull-up resistors are disconnected from  $V_{CC}$  in the Shutdown mode.

**TR OUT**: Driver Outputs at EIA/TIA-562 Voltage Levels. Outputs are in a high impedance state when in the Shutdown or Driver Disable mode or  $V_{CC} = 0V$ . The driver outputs are protected against ESD to ±10kV for human body model discharges.

**RX IN**: Receiver Inputs. These pins can be forced to ±25V without damage. The receiver inputs are protected against ESD to ±10kV for human body model discharges. Each receiver provides 0.4V of hysteresis for noise immunity.

**RX OUT**: Receiver Outputs with TTL/CMOS Voltage Levels. Outputs are in a high impedance state when in the Shutdown mode.

## SWITCHING TIME WAVEFORMS

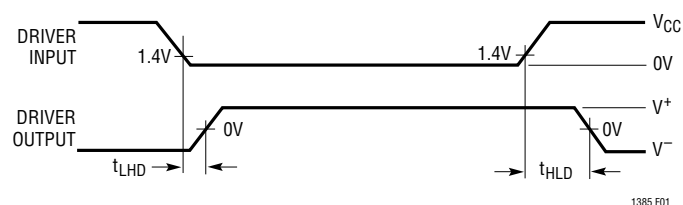


Figure 1. Driver Propagation Delay Timing

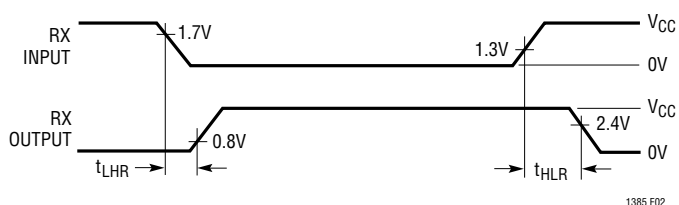
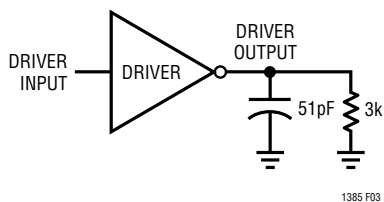


Figure 2. Receiver Propagation Delay Timing

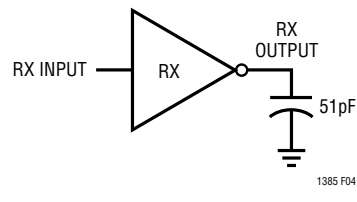
## TEST CIRCUITS

### Driver Timing Test Load



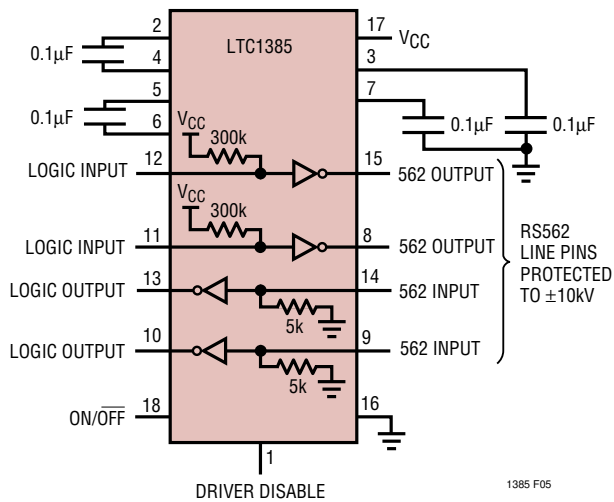
1385 F03

### Receiver Timing Test Load



1385 F04

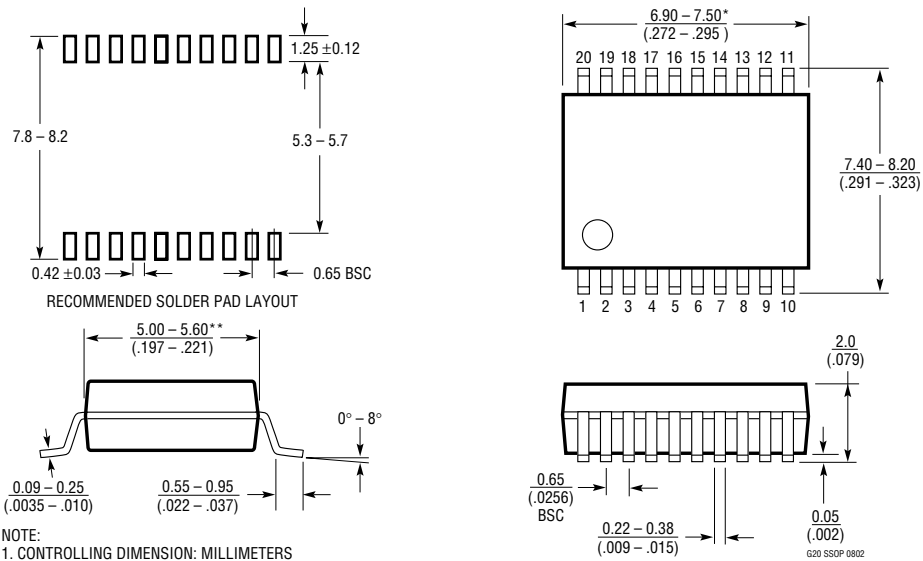
### ESD Test Circuit



1385 F05

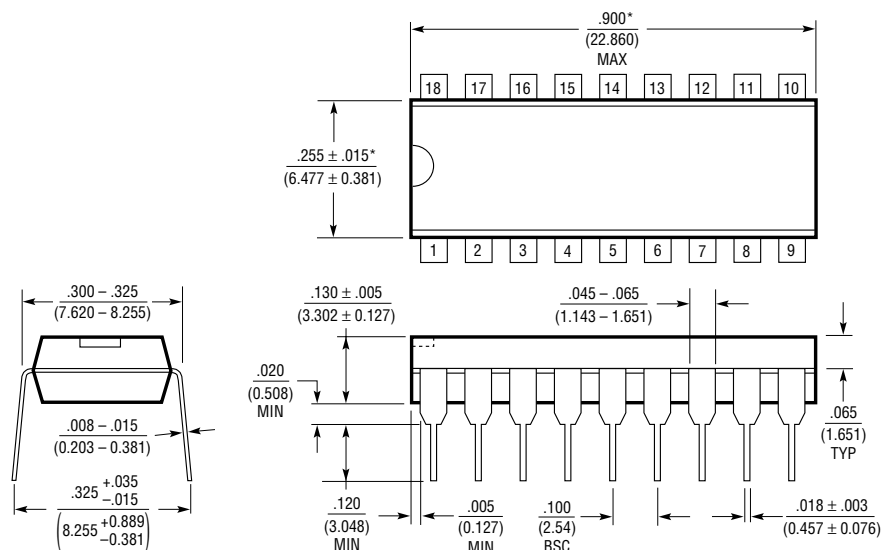
# PACKAGE DESCRIPTION

## G Package 20-Lead Plastic SSOP (5.3mm) (Reference LTC DWG # 05-08-1640)



- NOTE:
1. CONTROLLING DIMENSION: MILLIMETERS
  2. DIMENSIONS ARE IN  $\frac{\text{MILLIMETERS}}{\text{INCHES}}$
  3. DRAWING NOT TO SCALE
- \*DIMENSIONS DO NOT INCLUDE MOLD FLASH. MOLD FLASH SHALL NOT EXCEED .152mm (.006") PER SIDE
- \*\*DIMENSIONS DO NOT INCLUDE INTERLEAD FLASH. INTERLEAD FLASH SHALL NOT EXCEED .254mm (.010") PER SIDE

## N Package 18-Lead PDIP (Narrow .300 Inch) (Reference LTC DWG # 05-08-1510)



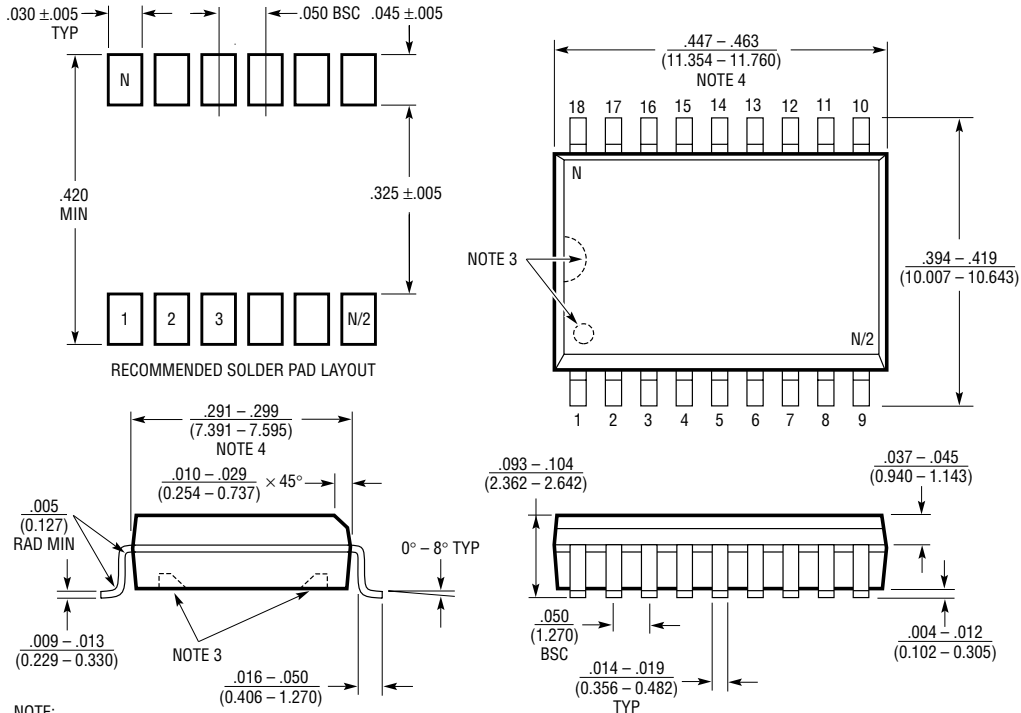
- NOTE:
1. DIMENSIONS ARE  $\frac{\text{INCHES}}{\text{MILLIMETERS}}$
- \*THESE DIMENSIONS DO NOT INCLUDE MOLD FLASH OR PROTRUSIONS. MOLD FLASH OR PROTRUSIONS SHALL NOT EXCEED .010 INCH (0.254mm)

W18 1002



# PACKAGE DESCRIPTION

## SW Package 18-Lead Plastic Small Outline (Wide .300 Inch) (Reference LTC DWG # 05-08-1620)



- NOTE:  
 1. DIMENSIONS IN  $\frac{\text{INCHES}}{\text{MILLIMETERS}}$   
 2. DRAWING NOT TO SCALE  
 3. PIN 1 IDENT, NOTCH ON TOP AND CAVITIES ON THE BOTTOM OF PACKAGES ARE THE MANUFACTURING OPTIONS. THE PART MAY BE SUPPLIED WITH OR WITHOUT ANY OF THE OPTIONS  
 4. THESE DIMENSIONS DO NOT INCLUDE MOLD FLASH OR PROTRUSIONS. MOLD FLASH OR PROTRUSIONS SHALL NOT EXCEED  $.006''$  (0.15mm)

S18 (WIDE) 0502

## RELATED PARTS

| PART NUMBER   | DESCRIPTION  | COMMENTS   |
|---------------|--|--|
| LT1780/LT1781 | 5V, 2 Driver, 2 Receiver RS232 Transceivers        | $\pm 15$ kV ESD per IEC 1000-4                             |
| LTC1327       | 3.3V, 3 Driver, 5 Receiver RS562 Transceiver       | 300 $\mu$ A Supply Current, 0.2 $\mu$ A in Shutdown        |
| LTC1348       | 3.3V to 5V, 3 Driver, 5 Receiver RS232 Transceiver | True RS232 on 3.3V, 5 Receivers Active in Shutdown         |
| LTC1382       | 5V, 2 Driver, 2 Receiver RS232 Transceiver         | 200 $\mu$ A Supply Current, 0.2 $\mu$ A in Shutdown        |
| LTC1383       | 5V, 2 Driver, 2 Receiver RS232 Transceiver         | 200 $\mu$ A Supply Current, Narrow 16-Pin SO               |
| LTC1384       | 5V, 2 Driver, 2 Receiver RS232 Transceiver         | 200 $\mu$ A Supply Current, 2 Receivers Active in Shutdown |
| LTC1386       | 3.3V, 2 Driver, 2 Receiver RS562 Transceiver       | 200 $\mu$ A Supply Current, Narrow 16-Pin SO               |