



Chipsmall Limited consists of a professional team with an average of over 10 year of expertise in the distribution of electronic components. Based in Hongkong, we have already established firm and mutual-benefit business relationships with customers from,Europe,America and south Asia,supplying obsolete and hard-to-find components to meet their specific needs.

With the principle of “Quality Parts,Customers Priority,Honest Operation,and Considerate Service”,our business mainly focus on the distribution of electronic components. Line cards we deal with include Microchip,ALPS,ROHM,Xilinx,Pulse,ON,Everlight and Freescale. Main products comprise IC,Modules,Potentiometer,IC Socket,Relay,Connector.Our parts cover such applications as commercial,industrial, and automotives areas.

We are looking forward to setting up business relationship with you and hope to provide you with the best service and solution. Let us make a better world for our industry!



Contact us

Tel: +86-755-8981 8866 Fax: +86-755-8427 6832

Email & Skype: info@chipsmall.com Web: www.chipsmall.com

Address: A1208, Overseas Decoration Building, #122 Zhenhua RD., Futian, Shenzhen, China



FEATURES

- **Maximum Offset Voltage of 3 μ V**
- **Maximum Offset Voltage Drift of 30nV/ $^{\circ}$ C**
- Noise: 1.5 μ V_{P-P} (0.01Hz to 10Hz Typ)
- Voltage Gain: 140dB (Typ)
- PSRR: 130dB (Typ)
- CMRR: 130dB (Typ)
- Supply Current: 0.8mA (Typ)
- Supply Operation: 2.7V to 6V (LTC2050)
2.7V to \pm 5.5V (LTC2050HV)
- Extended Common Mode Input Range
- Output Swings Rail-to-Rail
- Input Overload Recovery Time: 2ms (Typ)
- Operating Temperature Range: -40° C to 125 $^{\circ}$ C
- Low Profile (1mm) SOT-23 (ThinSOT)[™] Package

APPLICATIONS

- Thermocouple Amplifiers
- Electronic Scales
- Medical Instrumentation
- Strain Gauge Amplifiers
- High Resolution Data Acquisition
- DC Accurate RC Active Filters
- Low Side Current Sense

DESCRIPTION

The LTC[®]2050 and LTC2050HV are zero-drift operational amplifiers available in the 5- or 6-lead SOT-23 and SO-8 packages. The LTC2050 operates from a single 2.7V to 6V supply. The LTC2050HV operates on supplies from 2.7V to \pm 5.5V. The current consumption is 800 μ A and the versions in the 6-lead SOT-23 and SO-8 packages offer power shutdown (active low).

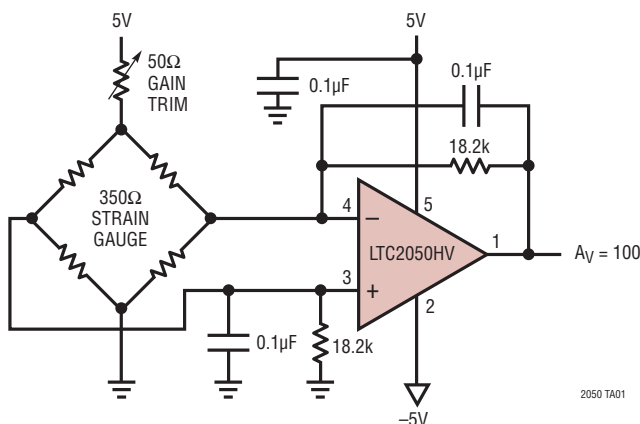
The LTC2050, despite its miniature size, features uncompromising DC performance. The typical input offset voltage and offset drift are 0.5 μ V and 10nV/ $^{\circ}$ C. The almost zero DC offset and drift are supported with a power supply rejection ratio (PSRR) and common mode rejection ratio (CMRR) of more than 130dB.

The input common mode voltage ranges from the negative supply up to typically 1V from the positive supply. The LTC2050 also has an enhanced output stage capable of driving loads as low as 2k Ω to both supply rails. The open-loop gain is typically 140dB. The LTC2050 also features a 1.5 μ V_{P-P} DC to 10Hz noise and a 3MHz gain bandwidth product.

LT, LT, LTC, LTM, Linear Technology and the Linear logo are registered trademarks of Linear Technology Corporation. ThinSOT is a trademark of Linear Technology Corporation. All other trademarks are the property of their respective owners. Protected by U.S. Patents, including 5481178.

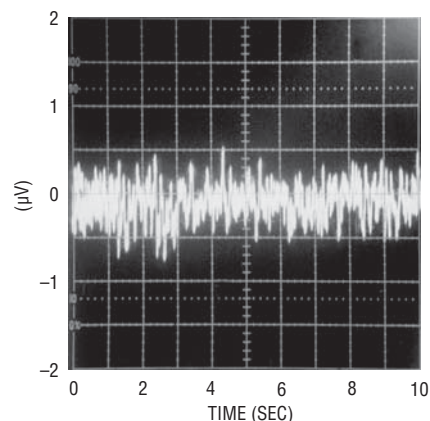
TYPICAL APPLICATION

Differential Bridge Amplifier



2050 TA01

Input Referred Noise 0.1Hz to 10Hz



2050fc

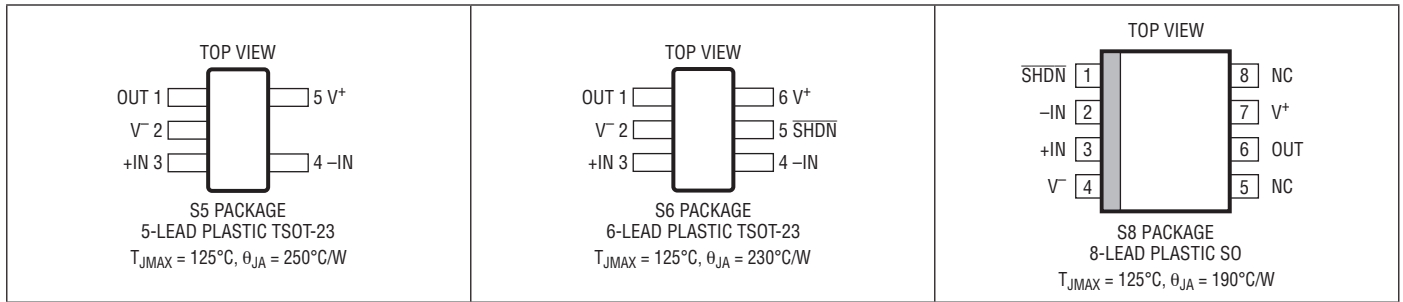
LTC2050/LTC2050HV

ABSOLUTE MAXIMUM RATINGS

(Note 1)

Total Supply Voltage (V^+ to V^-)	Operating Temperature Range.....	-40°C to 125°C
LTC2050.....7V	Specified Temperature Range	
LTC2050HV.....12V	(Note 3).....	-40°C to 125°C
Input Voltage ($V^+ + 0.3V$) to ($V^- - 0.3V$)	Storage Temperature Range.....	-65°C to 150°C
Output Short-Circuit Duration Indefinite	Lead Temperature (Soldering, 10 sec)	300°C

PIN CONFIGURATION



ORDER INFORMATION

LEAD FREE FINISH	TAPE AND REEL	PART MARKING*	PACKAGE DESCRIPTION	SPECIFIED TEMPERATURE RANGE
LTC2050CS5#PBF	LTC2050CS5#TRPBF	LTAEG	5-Lead Plastic TSOT-23	0°C to 70°C
LTC2050IS5#PBF	LTC2050IS5#TRPBF	LTAEG	5-Lead Plastic TSOT-23	-40°C to 85°C
LTC2050HS5#PBF	LTC2050HS5#TRPBF	LTAEG	5-Lead Plastic TSOT-23	-40°C to 125°C
LTC2050HVCS5#PBF	LTC2050HVCS5#TRPBF	LTAEH	5-Lead Plastic TSOT-23	0°C to 70°C
LTC2050HVIS5#PBF	LTC2050HVIS5#TRPBF	LTAEH	5-Lead Plastic TSOT-23	-40°C to 85°C
LTC2050HVHS5#PBF	LTC2050HVHS5#TRPBF	LTAEH	5-Lead Plastic TSOT-23	-40°C to 125°C
LTC2050CS6#PBF	LTC2050CS6#TRPBF	LTA EJ	6-Lead Plastic TSOT-23	0°C to 70°C
LTC2050IS6#PBF	LTC2050IS6#TRPBF	LTA EJ	6-Lead Plastic TSOT-23	-40°C to 85°C
LTC2050HS6#PBF	LTC2050HS6#TRPBF	LTA EJ	6-Lead Plastic TSOT-23	-40°C to 125°C
LTC2050HVCS6#PBF	LTC2050HVCS6#TRPBF	LTA EK	6-Lead Plastic TSOT-23	0°C to 70°C
LTC2050HVIS6#PBF	LTC2050HVIS6#TRPBF	LTA EK	6-Lead Plastic TSOT-23	-40°C to 85°C
LTC2050HVHS6#PBF	LTC2050HVHS6#TRPBF	LTA EK	6-Lead Plastic TSOT-23	-40°C to 125°C
LTC2050CS8#PBF	LTC2050CS8#TRPBF	2050	8-Lead Plastic SO	0°C to 70°C
LTC2050IS8#PBF	LTC2050IS8#TRPBF	2050I	8-Lead Plastic SO	-40°C to 85°C
LTC2050HVCS8#PBF	LTC2050HVCS8#TRPBF	2050HV	8-Lead Plastic SO	0°C to 70°C
LTC2050HVIS8#PBF	LTC2050HVIS8#TRPBF	050HVI	8-Lead Plastic SO	-40°C to 85°C

ORDER INFORMATION

LEAD BASED FINISH	TAPE AND REEL	PART MARKING*	PACKAGE DESCRIPTION	SPECIFIED TEMPERATURE RANGE
LTC2050CS5	LTC2050CS5#TR	LTAEG	5-Lead Plastic TSOT-23	0°C to 70°C
LTC2050IS5	LTC2050IS5#TR	LTAEG	5-Lead Plastic TSOT-23	-40°C to 85°C
LTC2050HS5	LTC2050HS5#TR	LTAEG	5-Lead Plastic TSOT-23	-40°C to 125°C
LTC2050HVCS5	LTC2050HVCS5#TR	LTAEH	5-Lead Plastic TSOT-23	0°C to 70°C
LTC2050HVIS5	LTC2050HVIS5#TR	LTAEH	5-Lead Plastic TSOT-23	-40°C to 85°C
LTC2050HVHS5	LTC2050HVHS5#TR	LTAEH	5-Lead Plastic TSOT-23	-40°C to 125°C
LTC2050CS6	LTC2050CS6#TR	LTA EJ	6-Lead Plastic TSOT-23	0°C to 70°C
LTC2050IS6	LTC2050IS6#TR	LTA EJ	6-Lead Plastic TSOT-23	-40°C to 85°C
LTC2050HS6	LTC2050HS6#TR	LTA EJ	6-Lead Plastic TSOT-23	-40°C to 125°C
LTC2050HVCS6	LTC2050HVCS6#TR	LTA EK	6-Lead Plastic TSOT-23	0°C to 70°C
LTC2050HVIS6	LTC2050HVIS6#TR	LTA EK	6-Lead Plastic TSOT-23	-40°C to 85°C
LTC2050HVHS6	LTC2050HVHS6#TR	LTA EK	6-Lead Plastic TSOT-23	-40°C to 125°C
LTC2050CS8	LTC2050CS8#TR	2050	8-Lead Plastic SO	0°C to 70°C
LTC2050IS8	LTC2050IS8#TR	2050I	8-Lead Plastic SO	-40°C to 85°C
LTC2050HVCS8	LTC2050HVCS8#TR	2050HV	8-Lead Plastic SO	0°C to 70°C
LTC2050HVIS8	LTC2050HVIS8#TR	050HVI	8-Lead Plastic SO	-40°C to 85°C

Consult LTC Marketing for parts specified with wider operating temperature ranges. *The temperature grade is identified by a label on the shipping container.

For more information on lead free part marking, go to: <http://www.linear.com/leadfree/>

For more information on tape and reel specifications, go to: <http://www.linear.com/tapeandreeel/>

LTC2050/LTC2050HV

ELECTRICAL CHARACTERISTICS (LTC2050/LTC2050HV) The ● denotes the specifications which apply over the full operating temperature range, otherwise specifications are at $T_A = 25^\circ\text{C}$. $V_S = 3\text{V}$ unless otherwise noted. (Note 3)

PARAMETER	CONDITIONS		C, I SUFFIXES			H SUFFIX			UNITS
			MIN	TYP	MAX	MIN	TYP	MAX	
Input Offset Voltage	(Note 2)			±0.5	±3		±0.5	±3	μV
Average Input Offset Drift	(Note 2)	●			±0.03			±0.05	μV/°C
Long-Term Offset Drift				50			50		nV/√mō
Input Bias Current	LTC2050	●		±20	±75 ±300		±20	±75 ±4000	pA pA
	LTC2050HV	●		±1	±50 ±100		±1	±50 ±4000	pA pA
Input Offset Current	LTC2050	●			±150 ±200			±150 ±1000	pA pA
	LTC2050HV	●			±100 ±150			±100 ±1000	pA pA
Input Noise Voltage	$R_S = 100\Omega$, 0.01Hz to 10Hz			1.5			1.5		μV _{p-p}
Input Capacitance				1.7			1.7		pF
Common Mode Rejection Ratio	$V_{CM} = \text{GND to } (V^+ - 1.3)$		115	130		115	130		dB
	$V_{CM} = \text{GND to } (V^+ - 1.3)$	●	110	130		110	130		dB
Power Supply Rejection Ratio	$V_S = 2.7\text{V to } 6\text{V}$		120	130		120	130		dB
		●	115	130		115	130		dB
Large-Signal Voltage Gain	$R_L = 10\text{k}$		120	140		120	140		dB
		●	115	140		115	140		dB
Output Voltage Swing High	$R_L = 2\text{k to GND}$	●	2.85	2.94		2.85	2.94		V
	$R_L = 10\text{k to GND}$	●	2.95	2.98		2.95	2.98		V
Output Voltage Swing Low	$R_L = 2\text{k to GND}$	●		1	10		1	10	mV
	$R_L = 10\text{k to GND}$	●		1	10		1	10	mV
Slew Rate				2			2		V/μs
Gain Bandwidth Product				3			3		MHz
Supply Current	$V_{SHDN} = V_{IH}$, No Load	●		0.75	1.1		0.75	1.2	mA
	$V_{SHDN} = V_{IL}$	●			10			10	μA
Shutdown Pin Input Low Voltage (V_{IL})		●			$V^- + 0.5$			$V^- + 0.5$	V
Shutdown Pin Input High Voltage (V_{IH})		●	$V^+ - 0.5$			$V^+ - 0.5$			V
Shutdown Pin Input Current	$V_{SHDN} = \text{GND}$	●		-0.5	-3		-0.5	-3	μA
Internal Sampling Frequency				7.5			7.5		kHz

ELECTRICAL CHARACTERISTICS

The ● denotes the specifications which apply over the full operating temperature range, otherwise specifications are at $T_A = 25^\circ\text{C}$. (LTC2050/LTC2050HV) $V_S = 5\text{V}$ unless otherwise noted. (Note 3)

PARAMETER	CONDITIONS		C, I SUFFIXES			H SUFFIX			UNITS
			MIN	TYP	MAX	MIN	TYP	MAX	
Input Offset Voltage	(Note 2)			±0.5	±3		±0.5	±3	μV
Average Input Offset Drift	(Note 2)	●			±0.03			±0.05	μV/°C
Long-Term Offset Drift				50			50		nV/√mo
Input Bias Current	LTC2050	●		±75	±150 ±300		±75	±150 ±4000	pA pA
	LTC2050HV	●		±7	±50 ±150		±7	±50 ±4000	pA pA
Input Offset Current	LTC2050	●			±300 ±400			±300 ±1000	pA pA
	LTC2050HV	●			±100 ±200			±100 ±1000	pA pA
Input Noise Voltage	$R_S = 100\Omega$, 0.01Hz to 10Hz			1.5			1.5		μV _{p-p}
Common Mode Rejection Ratio	$V_{CM} = \text{GND to } (V^+ - 1.3)$	●	120	130		120	130		dB
	$V_{CM} = \text{GND to } (V^+ - 1.3)$	●	115	130		110	130		dB
Power Supply Rejection Ratio	$V_S = 2.7\text{V to } 6\text{V}$	●	120	130		120	130		dB
		●	115	130		115	130		dB
Large-Signal Voltage Gain	$R_L = 10\text{k}$	●	125	140		125	140		dB
		●	120	140		115	140		dB
Output Voltage Swing High	$R_L = 2\text{k to GND}$	●	4.85	4.94		4.85	4.94		V
	$R_L = 10\text{k to GND}$	●	4.95	4.98		4.95	4.98		V
Output Voltage Swing Low	$R_L = 2\text{k to GND}$	●		1	10		1	10	mV
	$R_L = 10\text{k to GND}$	●		1	10		1	10	mV
Slew Rate				2			2		V/μs
Gain Bandwidth Product				3			3		MHz
Supply Current	$V_{SHDN} = V_{IH}$, No Load $V_{SHDN} = V_{IL}$	●		0.8	1.2		0.8	1.3	mA
		●			15			15	μA
Shutdown Pin Input Low Voltage (V_{IL})		●			$V^- + 0.5$			$V^- + 0.5$	V
Shutdown Pin Input High Voltage (V_{IH})		●	$V^+ - 0.5$			$V^+ - 0.5$			V
Shutdown Pin Input Current	$V_{SHDN} = \text{GND}$	●		-0.5	-7		-0.5	-7	μA
Internal Sampling Frequency				7.5			7.5		kHz

LTC2050/LTC2050HV

ELECTRICAL CHARACTERISTICS (LTC2050HV) The ● denotes the specifications which apply over the full operating temperature range, otherwise specifications are at $T_A = 25^\circ\text{C}$. $V_S = \pm 5\text{V}$ unless otherwise noted. (Note 3)

PARAMETER	CONDITIONS		C, I SUFFIXES			H SUFFIX			UNITS
			MIN	TYP	MAX	MIN	TYP	MAX	
Input Offset Voltage	(Note 2)			±0.5	±3		±0.5	±3	μV
Average Input Offset Drift	(Note 2)	●			±0.03			±0.05	μV/°C
Long-Term Offset Drift				50			50		nV/√mo
Input Bias Current (Note 4)		●		±25	±125 ±300		±25	±125 ±4000	pA pA
Input Offset Current (Note 4)		●			±250 ±500			±250 ±1000	pA pA
Input Noise Voltage	$R_S = 100\Omega$, 0.01Hz to 10Hz			1.5			1.5		μV _{P-P}
Common Mode Rejection Ratio	$V_{CM} = V^-$ to $(V^+ - 1.3)$ $V_{CM} = V^-$ to $(V^+ - 1.3)$	●	120	130		120	130		dB
			115	130		115	130		dB
Power Supply Rejection Ratio	$V_S = 2.7\text{V}$ to 11V	●	120	130		120	130		dB
			115	130		115	130		dB
Large-Signal Voltage Gain	$R_L = 10\text{k}$		125	140		125	140		dB
			120	140		120	140		dB
Maximum Output Voltage Swing	$R_L = 2\text{k}$ to GND $R_L = 10\text{k}$ to GND	● ●	±4.75	±4.94		±4.50	±4.94		V V
			±4.90	±4.98		±4.85	±4.98		
Slew Rate				2			2		V/μs
Gain Bandwidth Product				3			3		MHz
Supply Current	$V_{SHDN} = V_{IH}$, No Load $V_{SHDN} = V_{IL}$	● ●		1	1.5		1	1.6	mA μA
					25		25		
Shutdown Pin Input Low Voltage (V_{IL})		●			$V^- + 0.5$		$V^- + 0.5$		V
Shutdown Pin Input High Voltage (V_{IH})		●	$V^+ - 0.5$			$V^+ - 0.5$			V
Shutdown Pin Input Current	$V_{SHDN} = V^-$	●		-3	-20		-3	-20	μA
Internal Sampling Frequency				7.5			7.5		kHz

Note 1: Stresses beyond those listed under Absolute Maximum Ratings may cause permanent damage to the device. Exposure to any Absolute Maximum Rating condition for extended periods may affect device reliability and lifetime.

Note 2: These parameters are guaranteed by design. Thermocouple effects preclude measurements of these voltage levels during automated testing.

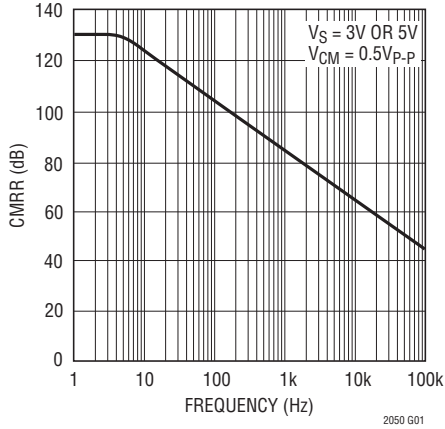
Note 3: All versions of the LTC2050 are designed, characterized and expected to meet the extended temperature limits of -40°C and 125°C .

The LTC2050C/LTC2050HVC are guaranteed to meet the temperature limits of 0°C and 70°C . The LTC2050I/LTC2050HVI are guaranteed to meet the temperature limits of -40°C and 85°C . The LTC2050H/LTC2050HVH are guaranteed to meet the temperature limits of -40°C and 125°C .

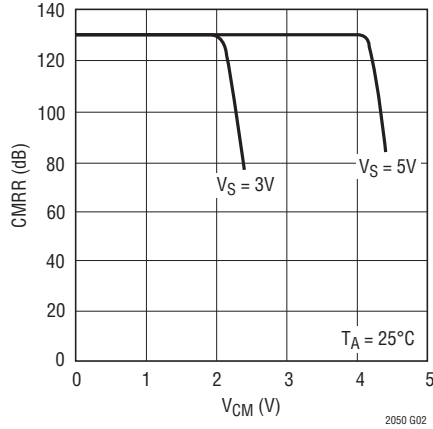
Note 4: The bias current measurement accuracy depends on the proximity of the supply bypass capacitor to the device under test, especially at $\pm 5\text{V}$ supplies. Because of testing limitations on the placement of this bypass capacitor, the bias current at $\pm 5\text{V}$ supplies is guaranteed by design to meet the data sheet limits, but tested to relaxed limits.

TYPICAL PERFORMANCE CHARACTERISTICS

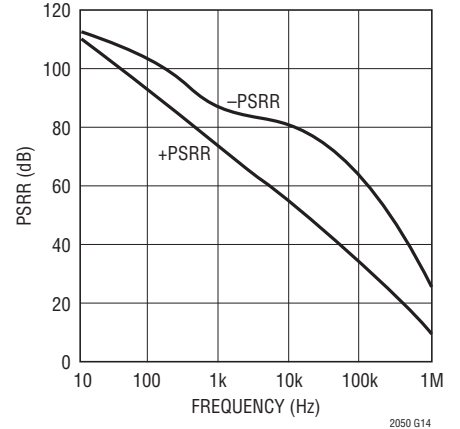
Common Mode Rejection Ratio vs Frequency



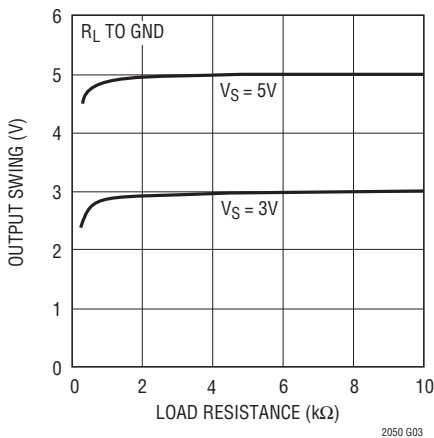
DC CMRR vs Common Mode Input Voltage



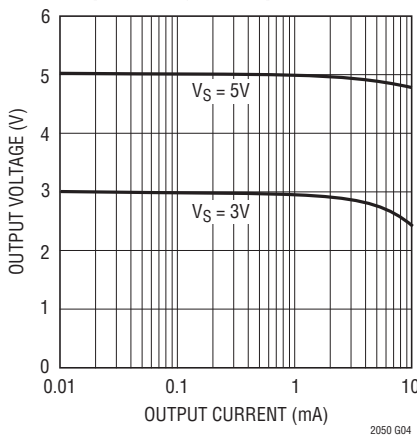
PSRR vs Frequency



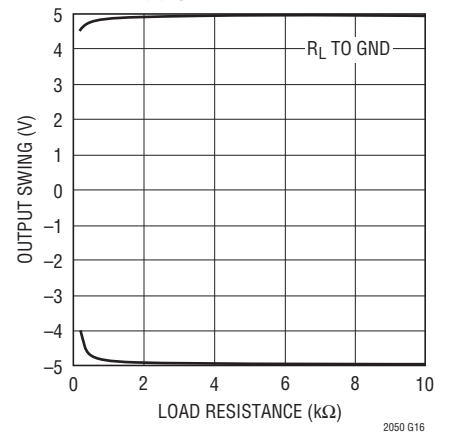
Output Voltage Swing vs Load Resistance



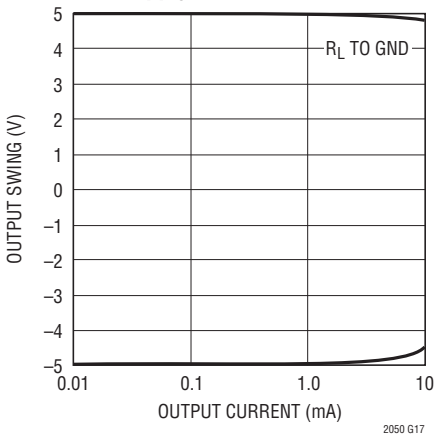
Output Swing vs Output Current



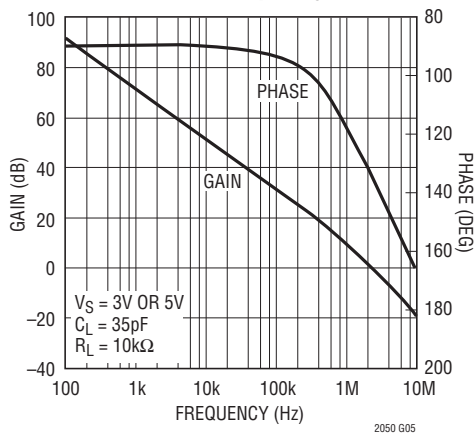
Output Swing vs Load Resistance $\pm 5V$ Supply



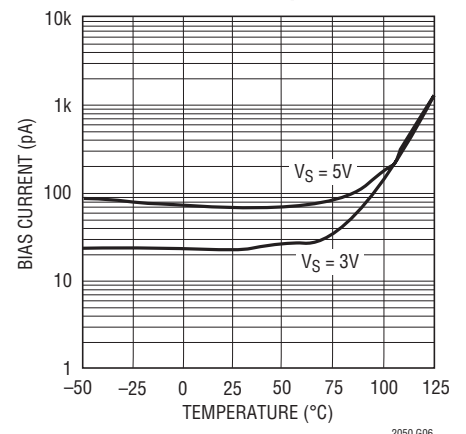
Output Swing vs Output Current $\pm 5V$ Supply



Gain/Phase vs Frequency

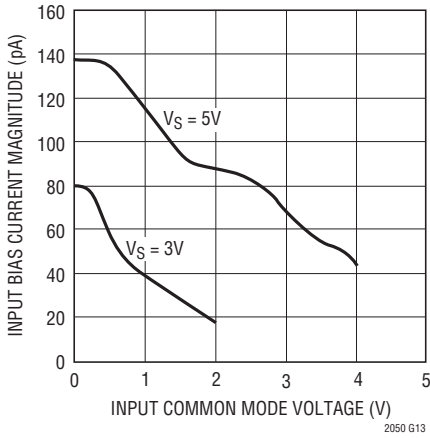


Bias Current vs Temperature

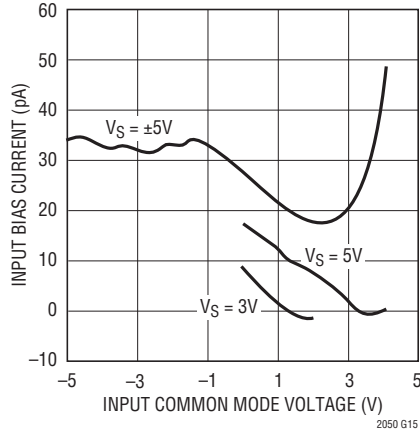


TYPICAL PERFORMANCE CHARACTERISTICS

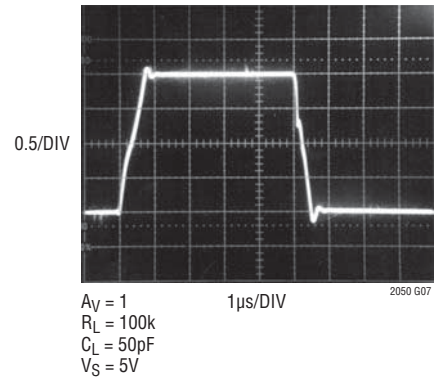
Input Bias Current vs Input Common Mode Voltage



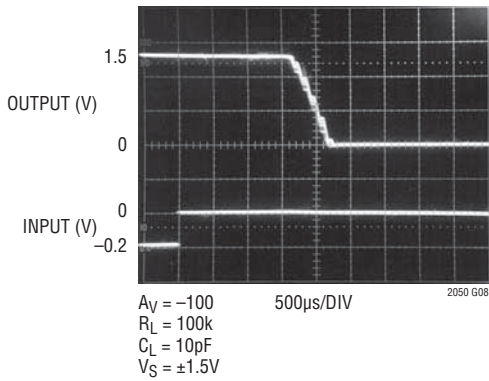
Input Bias Current vs Input Common Mode Voltage (LTC2050HV)



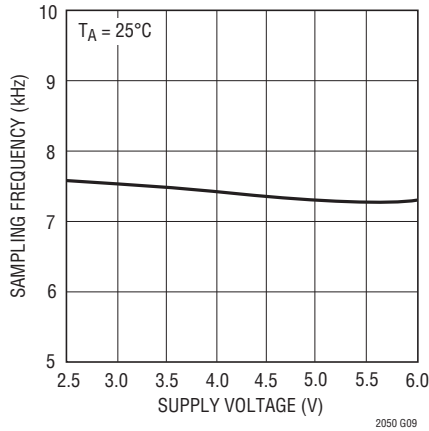
Transient Response



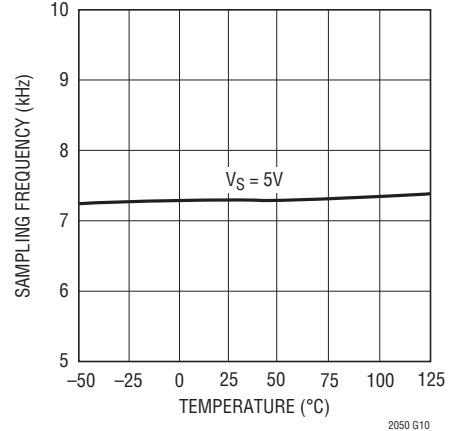
Input Overload Recovery



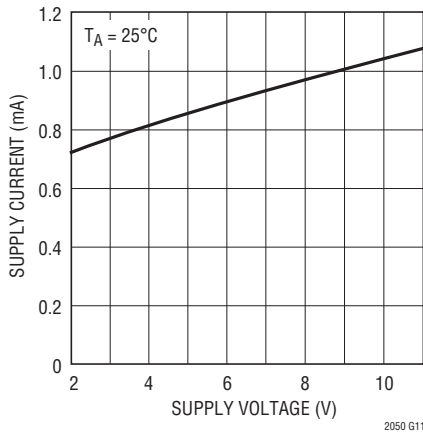
Sampling Frequency vs Supply Voltage



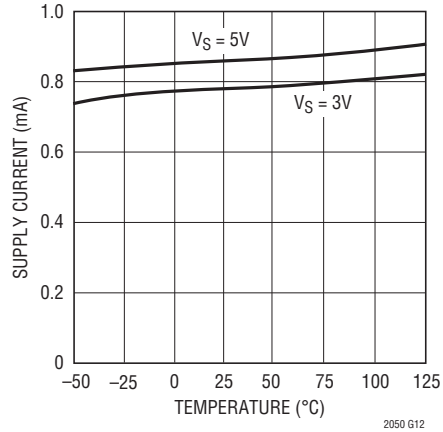
Sampling Frequency vs Temperature



Supply Current vs Supply Voltage

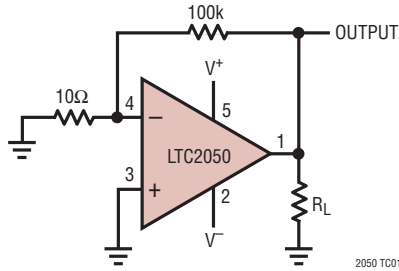


Supply Current vs Temperature

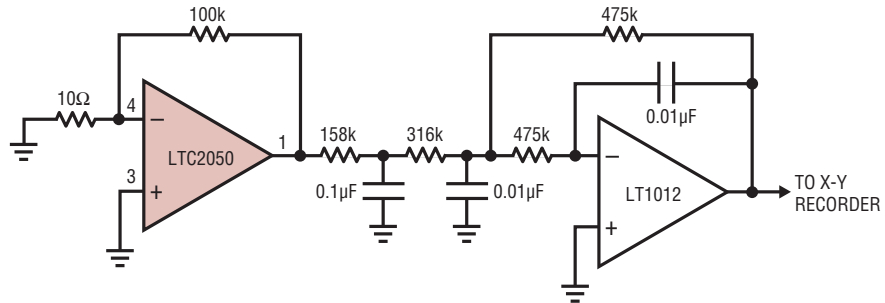


TEST CIRCUITS

Electrical Characteristics Test Circuit



DC-10Hz Noise Test Circuit



APPLICATIONS INFORMATION

Shutdown

The LTC2050 includes a shutdown pin in the 6-lead SOT-23 and the SO-8 version. When this active low pin is high or allowed to float, the device operates normally. When the shutdown pin is pulled low, the device enters shutdown mode; supply current drops to 3 μ A, all clocking stops, and both inputs and output assume a high impedance state.

Clock Feedthrough, Input Bias Current

The LTC2050 uses auto-zeroing circuitry to achieve an almost zero DC offset over temperature, common mode voltage, and power supply voltage. The frequency of the clock used for auto-zeroing is typically 7.5kHz. The term clock feedthrough is broadly used to indicate visibility of this clock frequency in the op amp output spectrum. There are typically two types of clock feedthrough in auto zeroed op amps like the LTC2050.

The first form of clock feedthrough is caused by the settling of the internal sampling capacitor and is input referred; that is, it is multiplied by the closed loop gain of the op amp. This form of clock feedthrough is independent of the magnitude of the input source resistance or the magnitude of the gain setting resistors. The LTC2050 has a residue clock feedthrough of less than 1 μ V_{RMS} input referred at 7.5kHz.

The second form of clock feedthrough is caused by the small amount of charge injection occurring during the sampling and holding of the op amp's input offset voltage. The current spikes are multiplied by the impedance seen at the input terminals of the op amp, appearing at the output

multiplied by the closed loop gain of the op amp. To reduce this form of clock feedthrough, use smaller valued gain setting resistors and minimize the source resistance at the input. If the resistance seen at the inputs is less than 10k, this form of clock feedthrough is less than 1 μ V_{RMS} input referred at 7.5kHz, or less than the amount of residue clock feedthrough from the first form described above.

Placing a capacitor across the feedback resistor reduces either form of clock feedthrough by limiting the bandwidth of the closed loop gain.

Input bias current is defined as the DC current into the input pins of the op amp. The same current spikes that cause the second form of clock feedthrough described above, when averaged, dominate the DC input bias current of the op amp below 70°C.

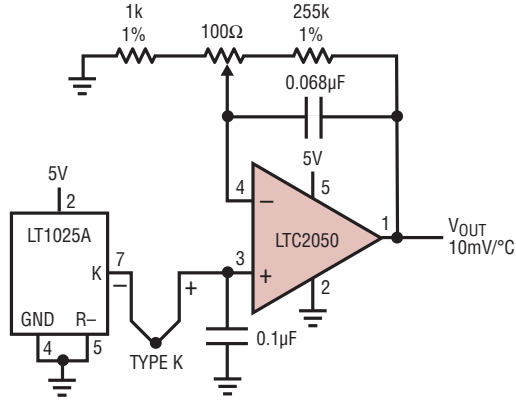
At temperatures above 70°C, the leakage of the ESD protection diodes on the inputs increases the input bias currents of both inputs in the positive direction, while the current caused by the charge injection stays relatively constant. At elevated temperatures (above 85°C) the leakage current begins to dominate and both the negative and positive pin's input bias currents are in the positive direction (into the pins).

Input Pins, ESD Sensitivity

ESD voltages above 700V on the input pins of the op amp will cause the input bias currents to increase (more DC current into the pins). At these voltages, it is possible to damage the device to a point where the input bias current exceeds the maximums specified in this data sheet.

TYPICAL APPLICATIONS

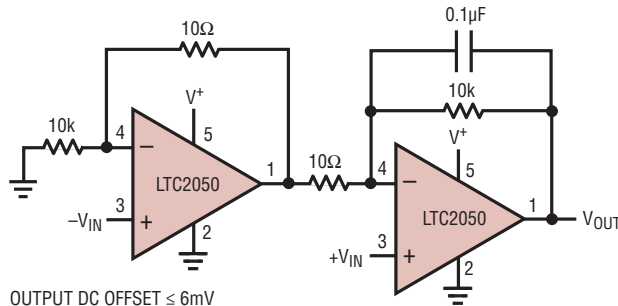
Single Supply Thermocouple Amplifier



LT1025 COMPENSATES COLD JUNCTION OVER 0°C TO 100°C TEMPERATURE RANGE

2050 TA03

Gain of 1001 Single Supply Instrumentation Amplifier

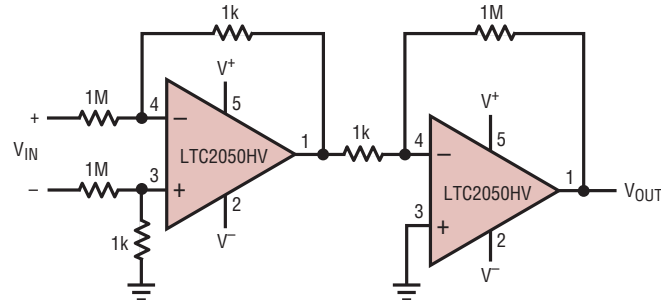


OUTPUT DC OFFSET $\leq 6\text{mV}$
FOR 0.1% RESISTORS, CMRR = 54dB

2050 TA04

TYPICAL APPLICATIONS

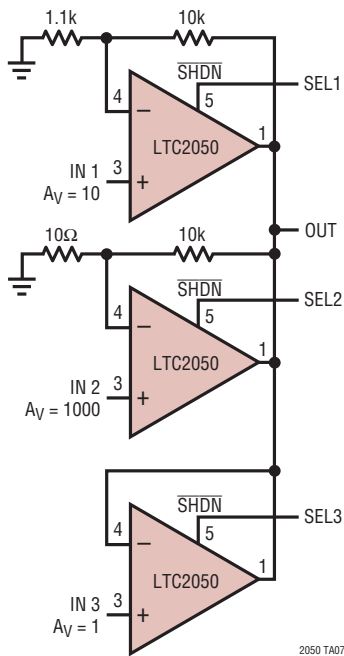
Instrumentation Amplifier with 100V Common Mode Input Voltage



OUTPUT OFFSET $\leq 3\text{mV}$
FOR 0.1% RESISTORS, CMRR = 54dB

2050 TA06

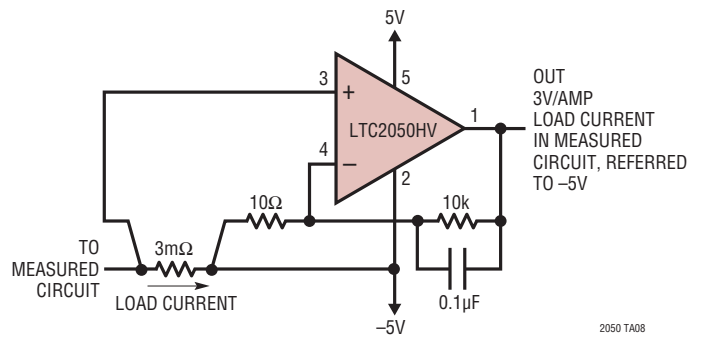
High Precision 3-Input Mux



2050 TA07

SELECT INPUTS ARE CMOS LOGIC COMPATIBLE

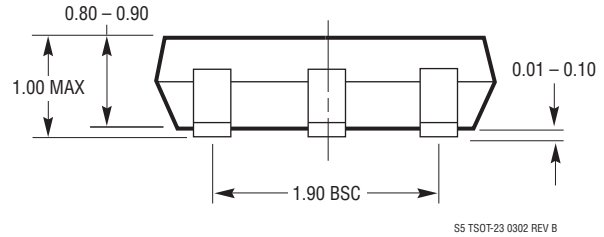
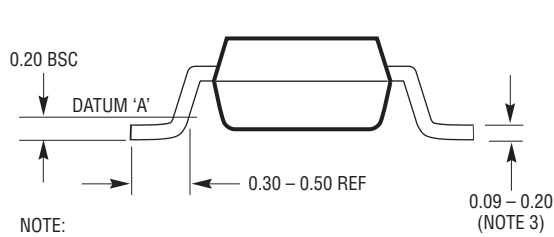
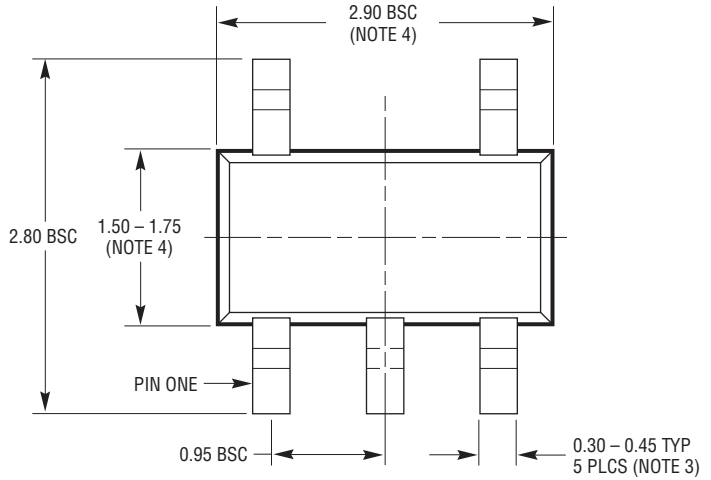
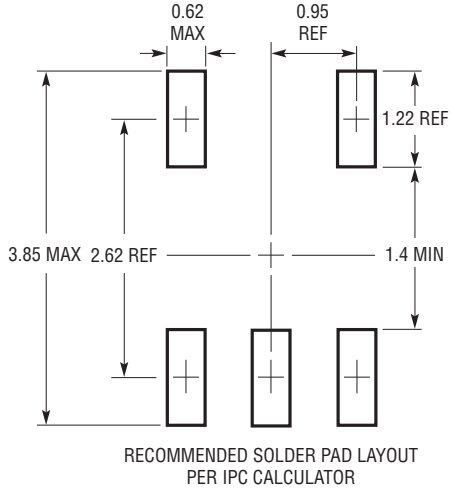
Low Side Power Supply Current Sensing



2050 TA08

PACKAGE DESCRIPTION

S5 Package
5-Lead Plastic TSOT-23
 (Reference LTC DWG # 05-08-1635)

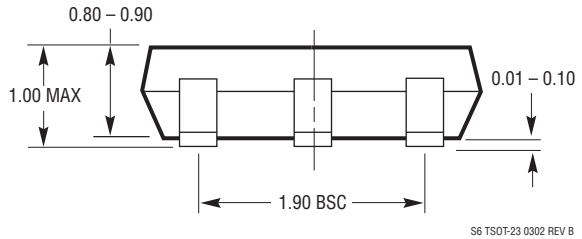
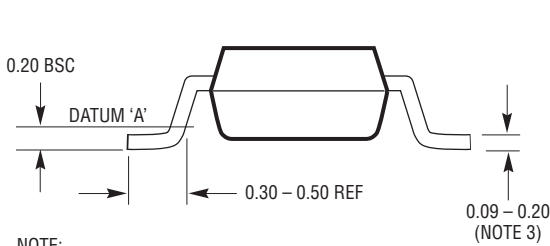
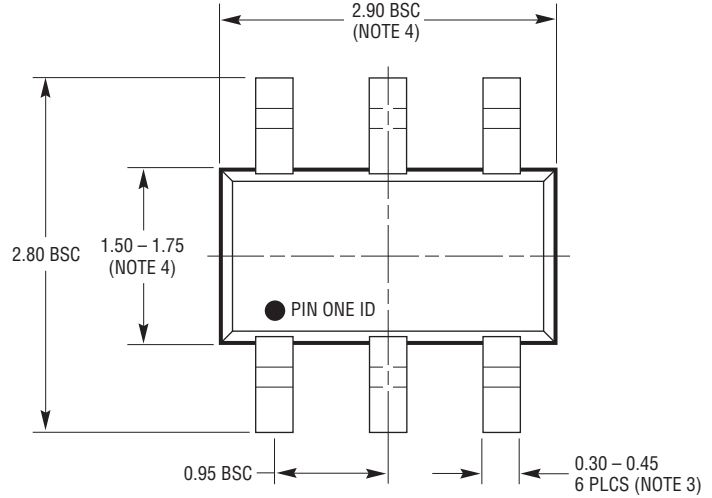
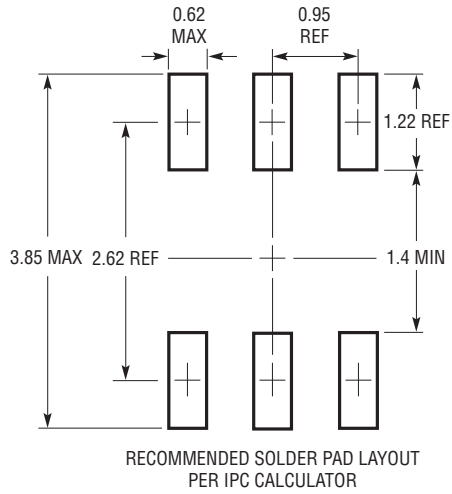


- NOTE:
1. DIMENSIONS ARE IN MILLIMETERS
 2. DRAWING NOT TO SCALE
 3. DIMENSIONS ARE INCLUSIVE OF PLATING
 4. DIMENSIONS ARE EXCLUSIVE OF MOLD FLASH AND METAL BURR
 5. MOLD FLASH SHALL NOT EXCEED 0.254mm
 6. JEDEC PACKAGE REFERENCE IS MO-193

S5 TSOT-23 0302 REV B

PACKAGE DESCRIPTION

S6 Package
6-Lead Plastic TSOT-23
 (Reference LTC DWG # 05-08-1636)

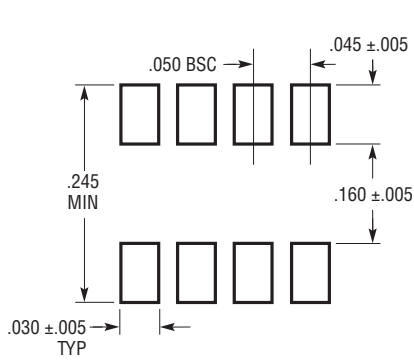


- NOTE:
1. DIMENSIONS ARE IN MILLIMETERS
 2. DRAWING NOT TO SCALE
 3. DIMENSIONS ARE INCLUSIVE OF PLATING
 4. DIMENSIONS ARE EXCLUSIVE OF MOLD FLASH AND METAL BURR
 5. MOLD FLASH SHALL NOT EXCEED 0.254mm
 6. JEDEC PACKAGE REFERENCE IS MO-193

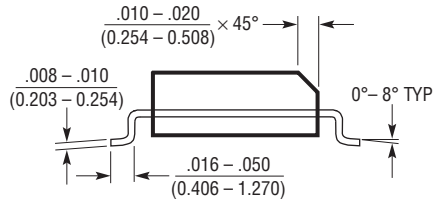
S6 TSOT-23 0302 REV B

PACKAGE DESCRIPTION

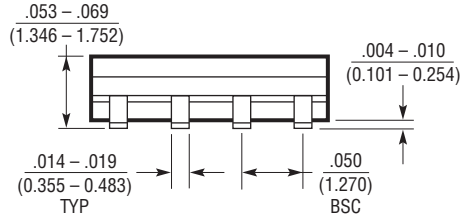
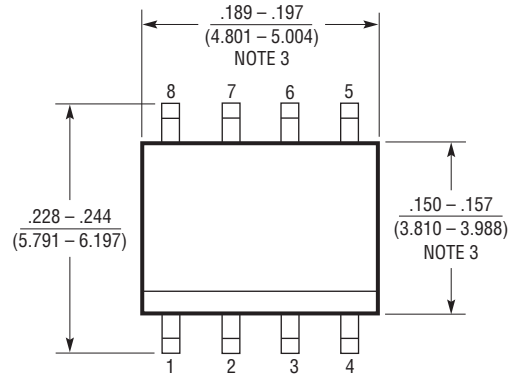
S8 Package
8-Lead Plastic Small Outline (Narrow .150 Inch)
 (Reference LTC DWG # 05-08-1610)



RECOMMENDED SOLDER PAD LAYOUT



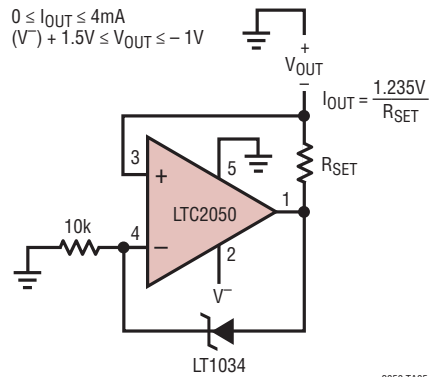
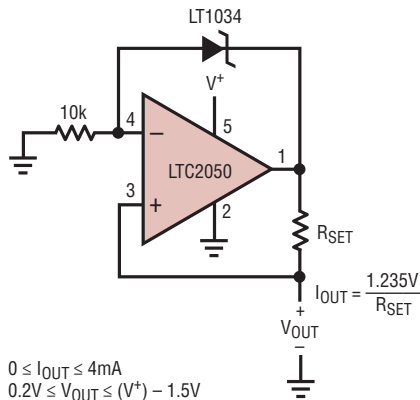
- NOTE:
 1. DIMENSIONS IN INCHES (MILLIMETERS)
 2. DRAWING NOT TO SCALE
 3. THESE DIMENSIONS DO NOT INCLUDE MOLD FLASH OR PROTRUSIONS. MOLD FLASH OR PROTRUSIONS SHALL NOT EXCEED .006" (0.15mm)



S08 0303

TYPICAL APPLICATION

Ground Referred Precision Current Sources



2050 TA05

RELATED PARTS

PART NUMBER	DESCRIPTION	COMMENTS
LTC1049	Low Power Zero-Drift Op Amp	Low Supply Current 200µA
LTC1050	Precision Zero-Drift Op Amp	Single Supply Operation 4.75V to 16V, Noise Tested and Guaranteed
LTC1051/LTC1053	Precision Zero-Drift Op Amp	Dual/Quad
LTC1150	±15V Zero-Drift Op Amp	High Voltage Operation ±18V
LTC1152	Rail-to-Rail Input and Output Zero-Drift Op Amp	Single Zero-Drift Op Amp with Rail-to-Rail Input and Output and Shutdown
LT1677	Low Noise Rail-to-Rail Input and Output Precision Op Amp	$V_{OS} = 90\mu\text{V}$, $V_S = 2.7\text{V to } 44\text{V}$
LT1884/LT1885	Rail-to-Rail Output Precision Op Amp	$V_{OS} = 50\mu\text{V}$, $I_B = 400\text{pA}$, $V_S = 2.7\text{V to } 40\text{V}$
LTC2051	Dual Zero-Drift Op Amp	Dual Version of the LTC2050 in MS8 Package