



Chipsmall Limited consists of a professional team with an average of over 10 year of expertise in the distribution of electronic components. Based in Hongkong, we have already established firm and mutual-benefit business relationships with customers from,Europe,America and south Asia,supplying obsolete and hard-to-find components to meet their specific needs.

With the principle of “Quality Parts,Customers Priority,Honest Operation,and Considerate Service”,our business mainly focus on the distribution of electronic components. Line cards we deal with include Microchip,ALPS,ROHM,Xilinx,Pulse,ON,Everlight and Freescale. Main products comprise IC,Modules,Potentiometer,IC Socket,Relay,Connector.Our parts cover such applications as commercial,industrial, and automotives areas.

We are looking forward to setting up business relationship with you and hope to provide you with the best service and solution. Let us make a better world for our industry!



## Contact us

Tel: +86-755-8981 8866 Fax: +86-755-8427 6832

Email & Skype: info@chipsmall.com Web: www.chipsmall.com

Address: A1208, Overseas Decoration Building, #122 Zhenhua RD., Futian, Shenzhen, China



# 750mA Synchronous Step-Up DC/DC Converters with Reverse-Battery Protection

## FEATURES

- Reverse-Battery Protection for DC/DC Converter and Load
- High Efficiency: Up to 94%
- Generates 5V at 175mA from a 1.8V Input
- Operates from 1.8V to 5.5V Input Supply
- 2V to 6V Adjustable Output Voltage
- Inrush Current Controlled During Start-Up
- Output Disconnect in Shutdown
- Low Noise 1.2MHz PWM Operation
- Tiny External Components
- Automatic Burst Mode® Operation (LTC3499)
- Continuous Switching at Light Loads (LTC3499B)
- Overvoltage Protection
- 8-Lead (3mm × 3mm × 0.75mm) DFN and MSOP Packages

## APPLICATIONS

- Medical Equipment
- Digital Cameras
- MP3 Players
- Handheld Instruments

LT, LT, LTC and LTM are registered trademarks of Linear Technology Corporation. Burst Mode is a registered trademark of Linear Technology Corporation. All other trademarks are the property of their respective owners.

## DESCRIPTION

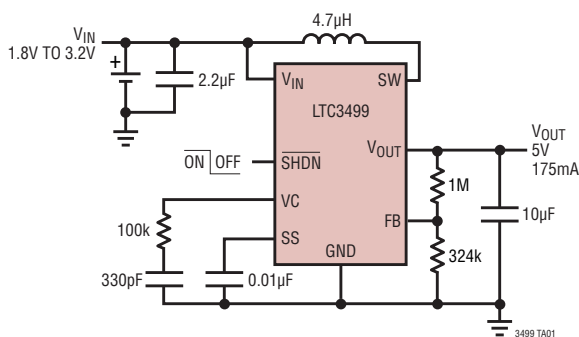
The LTC<sup>®</sup>3499/LTC3499B are synchronous, fixed frequency step-up DC/DC power converters with integrated reverse battery protection that protect and disconnect the devices and load when the battery polarity is reversed while delivering high efficiency in a small (3mm × 3mm) DFN package. True output disconnect eliminates inrush current and allows zero load current in shutdown.

The devices feature an input voltage range of 1.8V to 5.5V enabling operation from two alkaline or NiMH batteries. The switching frequency is internally set at 1.2MHz allowing the use of tiny surface mount inductors and capacitors. A minimal number of external components are required to generate output voltages ranging from 2V to 6V. The LTC3499 features automatic Burst Mode operation to increase efficiency at light loads, while the LTC3499B features continuous switching at light loads.

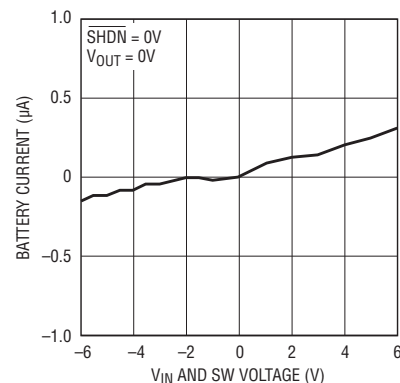
The soft-start time is externally programmable through a small capacitor. Anti-ringing circuitry reduces EMI emissions by damping the inductor in discontinuous mode. The devices feature <math><1\mu\text{A}</math> shutdown supply current, integrated overvoltage protection and are available in both 8-pin (3mm × 3mm) DFN and 8-pin MSOP packages.

## TYPICAL APPLICATION

Two AA Cells to 5V Synchronous Boost Converter



Battery Current vs  $V_{IN}$



# LTC3499/LTC3499B

## ABSOLUTE MAXIMUM RATINGS (Note 1)

$V_{IN}$ to GND .....	-7V to 7V	FB, SS to GND .....	-0.3V to 7V
$V_{OUT}$ to GND .....	-0.3V to 7V	Operating Temperature Range	
SW to $V_{OUT}$ .....	-7V to 1V	(Notes 3, 4) .....	-40°C to 85°C
SW to GND		Storage Temperature Range .....	-65°C to 125°C
DC .....	-7V to 7V	Lead Temperature (Soldering, 10 sec)	
Pulsed < 100ns .....	-7V to 8V	MSOP .....	300°C
SHDN to GND .....	-7V to 7V		

## PIN CONFIGURATION



## ORDER INFORMATION

LEAD FREE FINISH	TAPE AND REEL	PART MARKING	PACKAGE DESCRIPTION	TEMPERATURE RANGE
LTC3499EDD#PBF	LTC3499EDD#TRPBF	LBRB	8-Lead (3mm × 3mm) Plastic DFN	-40°C to 85°C
LTC3499BEDD#PBF	LTC3499BEDD#TRPBF	LCDZ	8-Lead (3mm × 3mm) Plastic DFN	-40°C to 85°C
LTC3499EMS8#PBF	LTC3499EMS8#TRPBF	LTBRC	8-Lead Plastic MSOP	-40°C to 85°C
LTC3499BEMS8#PBF	LTC3499BEMS8#TRPBF	LTCFB	8-Lead Plastic MSOP	-40°C to 85°C

Consult LTC Marketing for parts specified with wider operating temperature ranges.

Consult LTC Marketing for information on non-standard lead based finish parts.

For more information on lead free part marking, go to: <http://www.linear.com/leadfree/>

For more information on tape and reel specifications, go to: <http://www.linear.com/tapeandreeel/>

## ELECTRICAL CHARACTERISTICS

The ● denotes specifications that apply over the full operating temperature range, otherwise specifications are at  $T_A = 25^{\circ}\text{C}$ .  $V_{IN} = 2.4\text{V}$ ,  $V_{OUT} = 5\text{V}$ ,  $\text{SHDN} = 2.4\text{V}$ ,  $T_A = T_J$  unless otherwise noted. (Note 3)

SYMBOL	PARAMETER	CONDITIONS	MIN	TYP	MAX	UNITS	
<b>Supply</b>							
$V_{IN}$	Minimum Start-Up Voltage		●	1.6	1.8	V	
$V_{OUT}$	Output Voltage Adjust Range		●	2	6	V	
$V_{FB}$	FB Voltage		●	1.195	1.220	1.245	V

## ELECTRICAL CHARACTERISTICS

The ● denotes specifications that apply over the full operating temperature range, otherwise specifications are at  $T_A = 25^\circ\text{C}$ .  $V_{\text{IN}} = 2.4\text{V}$ ,  $V_{\text{OUT}} = 5\text{V}$ ,  $\text{SHDN} = 2.4\text{V}$ ,  $T_A = T_J$  unless otherwise noted. (Note 3)

SYMBOL	PARAMETER	CONDITIONS	MIN	TYP	MAX	UNITS	
$I_{\text{FB}}$	FB Input Current	$V_{\text{FB}} = 1.22\text{V}$		3	50	nA	
$I_{\text{VIN}}$	$V_{\text{IN}}$ Quiescent Current	No Output Load	●	300	600	$\mu\text{A}$	
$I_{\text{SD}}$	$V_{\text{IN}}$ Quiescent Current in Shutdown	$\text{SHDN} = 0\text{V}$ , $V_{\text{OUT}} = 0\text{V}$		0.1	1	$\mu\text{A}$	
$I_{\text{BURST}}$	Quiescent Current – Burst Mode Operation	$V_{\text{IN}}$ Current at 2.4V (LTC3499 Only) $V_{\text{OUT}}$ Current at 5V (LTC3499 Only)		20 1.5		$\mu\text{A}$ $\mu\text{A}$	
$I_{\text{NMOS}}$	NMOS Switch Leakage Current	$V_{\text{SW}} = 6\text{V}$		0.1	5	$\mu\text{A}$	
$I_{\text{PMOS}}$	PMOS Switch Leakage Current	$V_{\text{OUT}} = 6\text{V}$ , $V_{\text{SW}} = 0\text{V}$		0.1	5	$\mu\text{A}$	
$R_{\text{NMOS}}$	NMOS Switch On Resistance	$V_{\text{OUT}} = 3.3\text{V}$ $V_{\text{OUT}} = 5\text{V}$		0.45 0.4		$\Omega$ $\Omega$	
$R_{\text{PMOS}}$	PMOS Switch On Resistance	$V_{\text{OUT}} = 3.3\text{V}$ $V_{\text{OUT}} = 5\text{V}$		0.58 0.45		$\Omega$ $\Omega$	
$I_{\text{LIM}}$	NMOS Current Limit		●	0.75	1	A	
$t_{\text{DLY, ILIM}}$	Current Limit Delay to Output	Note 2		60		ns	
$D_{\text{MAX}}$	Maximum Duty Cycle		●	80	85	%	
$D_{\text{MIN}}$	Minimum Duty Cycle		●		0	%	
$f_{\text{OSC}}$	Frequency Accuracy		●	1	1.2	1.4	MHz
$G_{\text{mEA}}$	Error Amplifier Transconductance			40		$\mu\text{mhos}$	
$I_{\text{SOURCE}}$	Error Amplifier Source Current			-5		$\mu\text{A}$	
$I_{\text{SINK}}$	Error Amplifier Sink Current			5		$\mu\text{A}$	
$I_{\text{SS}}$	SS Current Source	$V_{\text{SS}} = 1\text{V}$		-3		$\mu\text{A}$	
$V_{\text{OV}}$	$V_{\text{OUT}}$ Overvoltage Threshold			6.8		V	
$V_{\text{OV(HYST)}}$	$V_{\text{OUT}}$ Overvoltage Hysteresis			400		mV	
<b>Shutdown</b>							
$V_{\text{SHDN(LOW)}}$	$\text{SHDN}$ Input Low Voltage		●		0.2	V	
$V_{\text{SHDN(HIGH)}}$	$\text{SHDN}$ Input High Voltage	Measured at SW	●	1.2		V	
$I_{\text{SD}}$	$\text{SHDN}$ Input Current				1	$\mu\text{A}$	
<b>Reverse Battery</b>							
$I_{\text{VOUT,REVBATT}}$	$V_{\text{OUT}}$ Reverse-Battery Current	$V_{\text{OUT}} = 0\text{V}$ , $V_{\text{IN}} = V_{\text{SHDN}} = V_{\text{SW}} = -6\text{V}$	●		5	$\mu\text{A}$	
$I_{\text{VIN,REVBATT}}$	$V_{\text{IN}}$ and $V_{\text{SW}}$ Reverse-Battery Current	$V_{\text{OUT}} = 0\text{V}$ , $V_{\text{IN}} = V_{\text{SHDN}} = V_{\text{SW}} = -6\text{V}$	●		-5	$\mu\text{A}$	
$I_{\text{SHDN,REVBATT}}$	$\text{SHDN}$ Reverse-Battery Current	$V_{\text{OUT}} = 0\text{V}$ , $V_{\text{IN}} = V_{\text{SHDN}} = V_{\text{SW}} = -6\text{V}$	●		-5	$\mu\text{A}$	

**Note 1:** Stresses beyond those listed under Absolute Maximum Ratings may cause permanent damage to the device. Exposure to any Absolute Maximum Rating condition for extended periods may affect device reliability and lifetime.

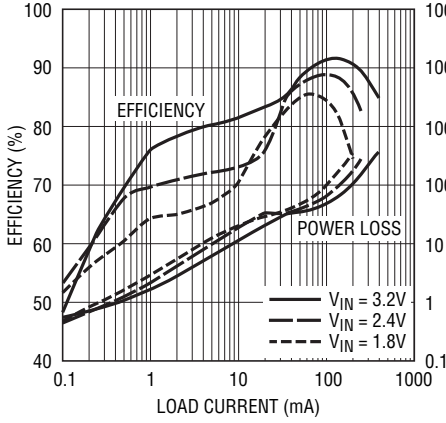
**Note 2:** Specification is guaranteed by design and not 100% tested in production.

**Note 3:** The LTC3499E/LTC3499BE are guaranteed to meet device specifications from  $0^\circ\text{C}$  to  $85^\circ\text{C}$ . Specifications over the  $-40^\circ\text{C}$  to  $85^\circ\text{C}$  operating temperature are assured by design, characterization and correlation with statistical process controls.

**Note 4:** These ICs include overtemperature protection that is intended to protect the devices during momentary overload conditions. Junction temperatures will exceed  $125^\circ\text{C}$  when overtemperature protection is active. Continuous operation above the specified maximum operating temperature range may impair device reliability.

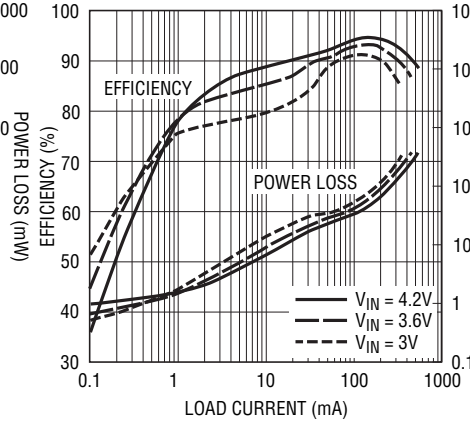
## TYPICAL PERFORMANCE CHARACTERISTICS $T_A = 25^\circ\text{C}$ , unless otherwise noted.

**2-Cell to 5V Efficiency vs Load Current (LTC3499 Only)**



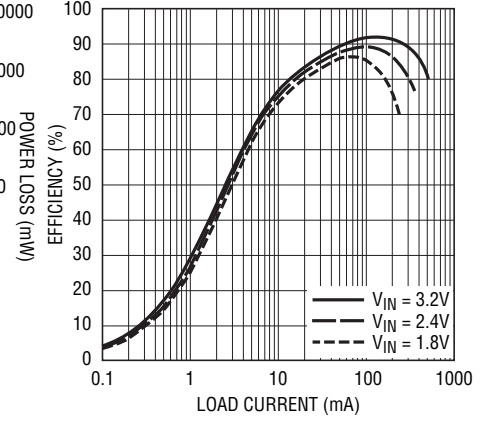
3499 G01

**Li-Ion to 5V Efficiency vs Load Current (LTC3499 Only)**



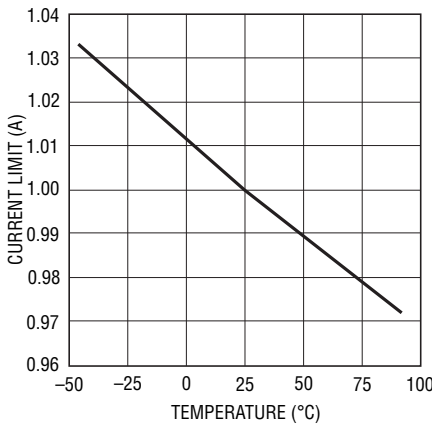
3499 G03

**2-Cell to 5V Efficiency vs Load Current (LTC3499B Only)**



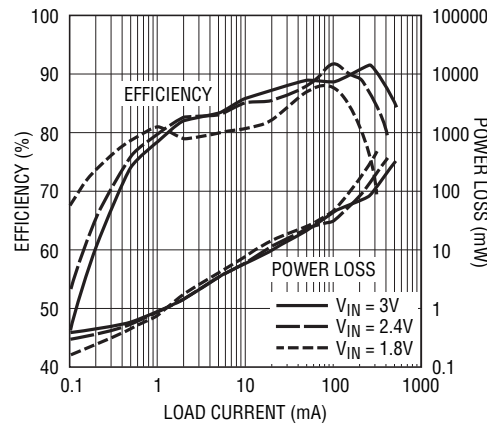
3499 G17

**Current Limit Accuracy vs Temperature**



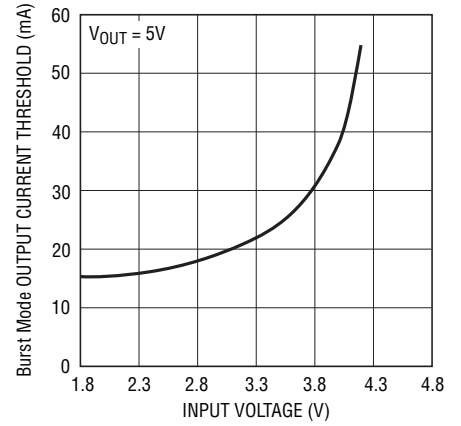
3499 G04

**2-Cell to 3.3V Efficiency vs Load Current (LTC3499 Only)**



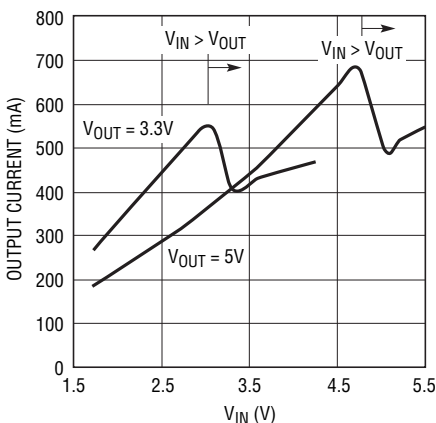
3499 G02

**Burst Mode Output Current Threshold vs Input Voltage (LTC3499 Only)**



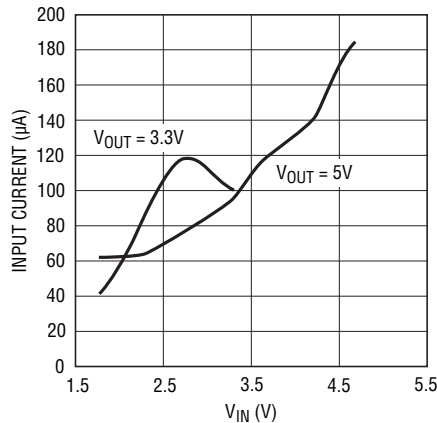
3499 G05

**Maximum Output Current Capability vs VIN**



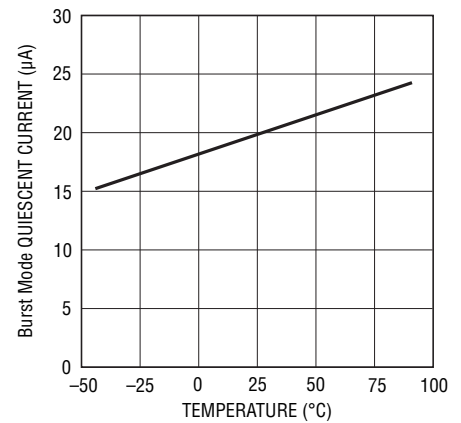
3499 G06

**No Load Input Current vs VIN (LTC3499 Only)**



3499 G07

**Burst Mode Quiescent Current vs Temperature (LTC3499 Only)**

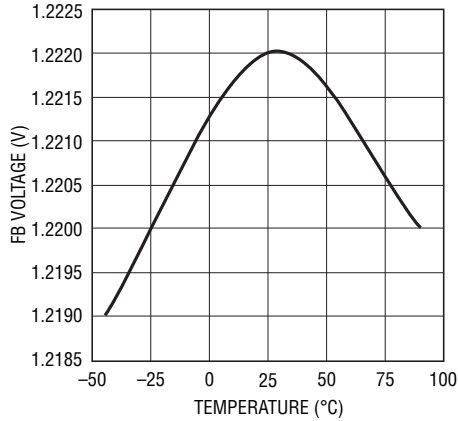


3499 G08

3499fc

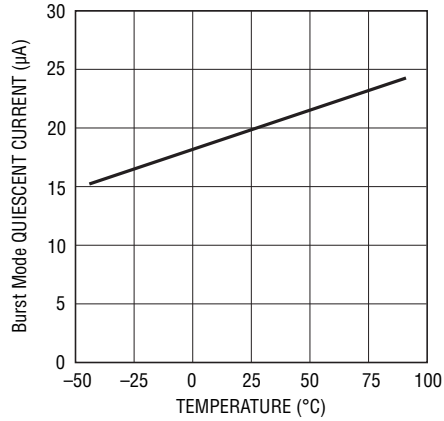
## TYPICAL PERFORMANCE CHARACTERISTICS $T_A = 25^\circ\text{C}$ , unless otherwise noted.

### FB Voltage vs Temperature



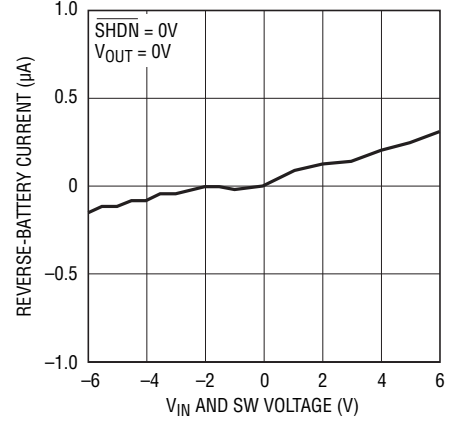
3499 G09

### Burst Mode Quiescent Current vs Temperature



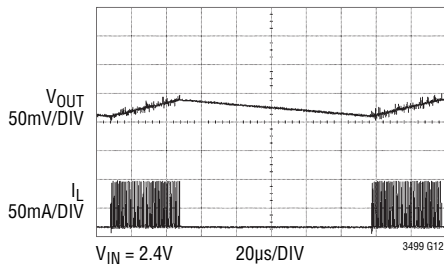
3499 G08

### $V_{IN}$ and SW Reverse-Battery Current vs $V_{IN}$ and SW Voltage



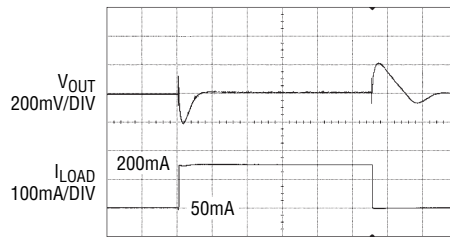
3499 G11

### Burst Mode Operation (LTC3499 Only)



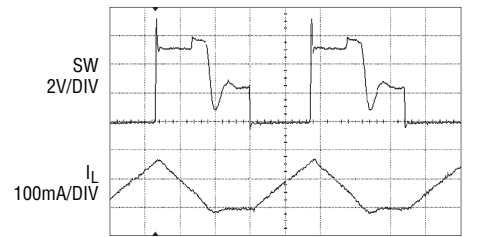
$V_{IN} = 2.4\text{V}$   
 $V_{OUT} = 5\text{V}$   
 $L = 4.7\mu\text{H}$   
 $C_{OUT} = 10\mu\text{F}$   
 $C_{FF} = 10\text{pF}$  (FEEDFORWARD CAPACITOR FROM  $V_{OUT}$  TO FB)  
 20µs/DIV  
 3499 G12

### Load Transient 50mA to 200mA



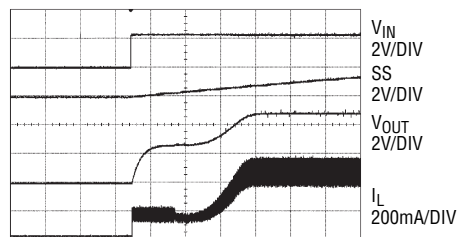
$V_{IN} = 2.4\text{V}$   
 $V_{OUT} = 5\text{V}$   
 $I_{LOAD} = 50\text{mA to } 200\text{mA}$   
 $R_Z = 100\text{k}$   
 $C_F = 680\text{pF}$   
 $C_{OUT} = 10\mu\text{F}$   
 $L = 4.7\mu\text{H}$   
 200µs/DIV  
 3499 G13

### Fixed Frequency Discontinuous Mode Operation



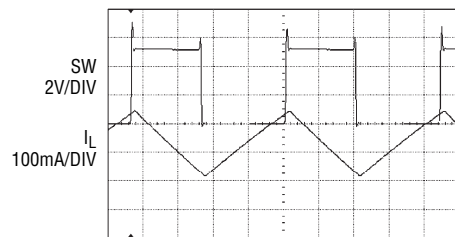
$V_{IN} = 2.4\text{V}$   
 $V_{OUT} = 5\text{V}$   
 $L = 4.7\mu\text{H}$   
 200ns/DIV  
 3499 G14

### Soft-Start into 25Ω Load



$V_{IN} = 2.4\text{V}$   
 $V_{OUT} = 5\text{V}$   
 $L = 4.7\mu\text{H}$   
 $C_{SS} = 0.01\mu\text{F}$   
 $C_{OUT} = 10\mu\text{F}$   
 1ms/DIV  
 3499G15

### Fixed Frequency Operation



$V_{IN} = 2.4\text{V}$   
 $V_{OUT} = 5\text{V}$   
 $L = 4.7\mu\text{H}$   
 200ns/DIV  
 3499 G16

## PIN FUNCTIONS

**SHDN (Pin 1):** Shutdown Input for IC. Connect to a voltage greater than 1.2V to enable and a voltage less than 0.2V to disable the LTC3499/LTC3499B.

**V<sub>IN</sub> (Pin 2):** Input Supply Voltage. The valid operating voltage is between 1.8V to 5.5V. V<sub>IN</sub> has reverse battery protection. Since the LTC3499/LTC3499B use V<sub>IN</sub> as the main bias source, bypass with a low ESR ceramic capacitor of at least 2.2μF.

**SW (Pin 3):** Switch Pin. Connect an inductor from V<sub>IN</sub> to this pin with a value between 2.2μH and 10μH. Keep PCB trace lengths as short and wide as possible to minimize EMI and voltage overshoot. If the inductor current falls to zero or SHDN is low an internal 250Ω antiringing switch is connected from V<sub>IN</sub> to SW to minimize EMI.

**GND (Pin 4/Exposed Pad, DD Package Pin 9):** Signal and Power Ground. The DD package exposed pad must be soldered to the PCB power ground plane for electrical connection and rated thermal performance.

**SS (Pin 5):** Soft-Start Input. Connect a capacitor from SS to ground to control the inrush current at start-up. An internal 3μA current source charges this pin. SS will be discharged if SHDN is pulled low, thermal shutdown occurs or V<sub>IN</sub> is below the minimum operating voltage.

**V<sub>OUT</sub> (Pin 6):** Power Supply Output. Connect a low ESR output filter capacitor from this pin to the ground plane.

**FB (Pin 7):** FB Input to Error Amplifier. Connect a resistor divider tap from V<sub>OUT</sub> to this pin to set the output voltage. The output voltage can be adjusted between 2V and 6V. Referring to the Functional Block Diagram, the output voltage is given by:

$$V_{OUT} = 1.22 \cdot \left[ 1 + \left( \frac{R1}{R2} \right) \right]$$

**VC (Pin 8):** Error Amplifier Output. A frequency compensation network is connected from this pin to GND to compensate the boost converter loop. See Closing the Feedthrough Loop section for guidelines.

**FUNCTIONAL BLOCK DIAGRAM**

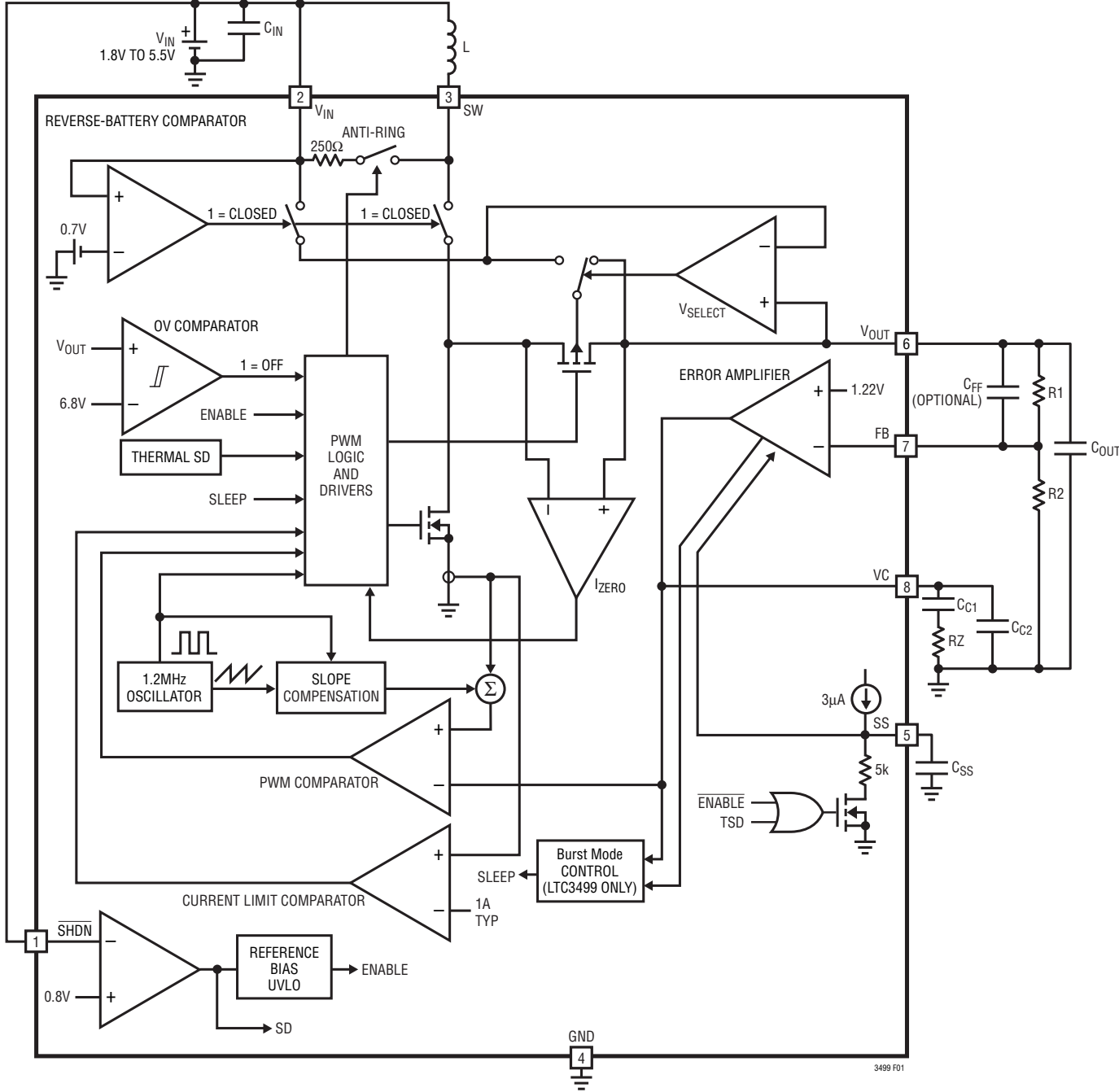


Figure 1: Functional Block Diagram



## OPERATION

The LTC3499/LTC3499B provide high efficiency, low noise power for boost applications with output voltages up to 6V. Operation can be best understood by referring to the Functional Block Diagram in Figure 1. The synchronous boost converters are housed in either an 8-lead (3mm × 3mm) DFN or MSOP package and operates at a fixed 1.2MHz. With a 1.6V typical minimum  $V_{IN}$  voltage these devices are well suited for applications using two or three alkaline or nickel-metal hydride (NiMH) cells or one Lithium-Ion (Li-Ion) cell. The LTC3499/LTC3499B have integrated circuitry which protects the battery, IC, and circuitry powered by the device in the event that the input batteries are connected backwards (reverse battery protection). The true output disconnect feature eliminates inrush current and allows  $V_{OUT}$  to be zero volts during shutdown. The current mode architecture simplifies loop compensation with excellent load transient response. The low  $R_{DS(ON)}$ , low gate charge synchronous switches eliminate the need for an external Schottky diode rectifier, and provide efficient high frequency pulse width modulation (PWM). Burst Mode quiescent current to the LTC3499 is only 20 $\mu$ A from  $V_{IN}$ , maximizing battery life. The LTC3499B does not have Burst Mode operation and the device continues switching at constant frequency. This results in the absence of low frequency output ripple at the expense of light load efficiency.

### LOW NOISE FIXED FREQUENCY OPERATION

#### Shutdown

The LTC3499/LTC3499B are shut down by pulling  $\overline{SHDN}$  below 0.2V, and activated by pulling the pin above 1.2V.  $\overline{SHDN}$  can be driven above  $V_{IN}$  or  $V_{OUT}$  as long as it is limited to less than the absolute maximum rating.

#### Soft-Start

The soft-start time is programmed with an external capacitor to ground on SS. An internal current source charges the capacitor,  $C_{SS}$ , with a nominal 3 $\mu$ A. The voltage on SS is used to clamp the voltage on VC. The soft-start time is given by

$$t_{(msec)} = C_{SS} (\mu F) \cdot 200$$

In the event of an external shutdown or thermal shutdown (TSD),  $C_{SS}$  is discharged through a nominal 5k $\Omega$  impedance to GND. Once the condition is removed and SS is discharged near ground, a soft-start will automatically be re-initiated.

#### Error Amplifier

A transconductance amplifier generates an error voltage from the difference between the positive input internally connected to the 1.22V reference and the negative input connected to FB. A simple compensation network is placed from VC to ground. Internal clamps limit the minimum and maximum error amplifier output voltage for improved large signal transient response. A voltage divider from  $V_{OUT}$  to GND programs the output voltage via FB from 2V to 6V and is defined by the following equation:

$$V_{OUT} = 1.22 \cdot \left[ 1 + \left( \frac{R1}{R2} \right) \right]$$

#### Current Sensing

Lossless current sensing converts the peak current signal into a voltage which is summed with the internal slope compensation. This summed signal is compared to the error amplifier output to provide a peak current control command for the PWM. Peak switch current is limited to 750mA minimum.

#### Antiringing Control

The antiringing control connects a resistor across the inductor to damp the ringing on SW in discontinuous conduction mode. The LC resonant ringing (L = inductor,  $C_{SW}$  = capacitance on SW) is low energy, but can cause EMI radiation if antiringing control is not present.

#### Zero Current Comparator

The zero current comparator monitors the inductor current to the output and shuts off the synchronous rectifier once this current reduces to approximately 40mA, preventing negative inductor current.

## OPERATION

### Reverse-Battery Protection

Connecting the battery backwards poses a severe problem to most power converters. At a minimum the battery will be quickly discharged. Almost all ICs have an inherent diode from  $V_{IN}$  (cathode) to ground (anode) which conducts appreciable current when  $V_{IN}$  drops more than 0.7V below ground. Under this condition the integrated circuit will most likely be damaged due to the excessive current draw. There exists the possibility for the battery and circuitry powered by the device to also be damaged. The LTC3499/LTC3499B have integrated circuitry which allows negligible current flow under a reverse-battery condition, protecting the battery, device and circuitry attached to the output. A graph of the reverse-battery current drawn is shown in the Typical Performance Characteristics.

Discrete methods of reverse battery protection put additional dissipative elements in the high current path reducing efficiency while increasing component count to implement protection. The LTC3499/LTC3499B do not suffer from either of these drawbacks.

### Burst Mode Operation (LTC3499 only)

Portable devices frequently spend extended time in low power or stand-by mode, only drawing high power when specific functions are enabled. In order to improve battery life in these types of products, high power converter efficiency needs to be maintained over a wide output power range. In addition to its high efficiency at moderate and heavy loads, the LTC3499 includes automatic Burst Mode operation that improves efficiency of the power converter at light loads. Burst Mode operation is initiated if the output load current falls below an internally programmed threshold (see Typical Performance graph, Output Load Burst Mode Threshold vs  $V_{IN}$ ). Once initiated the Burst Mode operation circuitry shuts down most of the circuitry in the LTC3499, keeping alive only the circuitry required to monitor the output voltage.

This state is referred to as sleep. In sleep, the LTC3499 only draws 20 $\mu$ A from the input supply, greatly enhancing efficiency. When the output has drooped approximately 1% from its nominal regulation point, the LTC3499 wakes up and commences normal PWM operation. The output

capacitor will recharge causing the LTC3499 to re-enter sleep if the output load current remains less than the sleep threshold. The frequency of this intermittent PWM (or burst) operation is proportional to load current. Therefore, as the load current drops further below the burst threshold, the LTC3499 operates in PWM mode less frequently. When the load current increases above the burst threshold, the LTC3499 will resume continuous PWM operation seamlessly.

Referring to the Functional Block Diagram, an optional capacitor,  $C_{FF}$ , between  $V_{OUT}$  and FB in some circumstances can reduce peak-to-peak  $V_{OUT}$  ripple and input quiescent current during Burst Mode operation. Typical values for  $C_{FF}$  range from 10pF to 220pF.

### Output Disconnect and Inrush Current Limiting

The LTC3499/LTC3499B are designed to allow true output disconnect by eliminating body diode conduction of the internal P-channel MOSFET switch. This allows  $V_{OUT}$  to go to zero volts during shutdown without drawing any current from the input source. It also provides for inrush current limiting at turn-on, minimizing surge current seen by the input supply.

### $V_{IN} > V_{OUT}$ Operation

The LTC3499/LTC3499B will maintain voltage regulation when the input voltage is above the output voltage. This is achieved by terminating the switching on the synchronous P-channel MOSFET and applying  $V_{IN}$  statically on the gate. This will ensure the volts • seconds of the inductor will reverse during the time current is flowing to the output. Since this mode will dissipate more power in the IC, the maximum output current is limited in order to maintain an acceptable junction temperature:

$$I_{OUT(MAX)} \cong \frac{125 - T_A}{\theta_{JA} \cdot ((V_{IN} + 1.5) - V_{OUT})}$$

where  $T_A$  = ambient temperature and  $\theta_{JA}$  is the package thermal resistance (45°C/W for the DD8 and 160°C/W for the MS8).

For example at  $V_{IN} = 4.5V$ ,  $V_{OUT} = 3.3V$  and  $T_A = 85^\circ C$  in the DD8 package, the maximum output current is 330mA.

## APPLICATIONS INFORMATION

### PCB LAYOUT GUIDELINES

The high speed operation of the LTC3499/LTC3499B demand careful attention to board layout. Advertised performance will not be achieved with careless layout. Figure 2 shows the recommended component placement. A large copper area will help to lower the chip temperature. Traces carrying high current (SW, V<sub>OUT</sub>, GND) are kept short. The lead length to the battery should be kept as short as possible. The V<sub>IN</sub> and V<sub>OUT</sub> ceramic capacitors should be placed as close to the IC pins as possible.

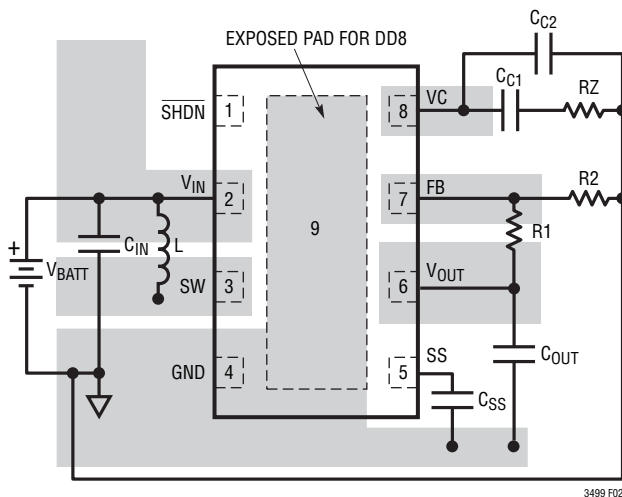


Figure 2: Recommended Component Placement

### COMPONENT SELECTION

#### Inductor Selection

The LTC3499/LTC3499B allow the use of small surface mount inductors and chip inductors due to the fast 1.2MHz switching frequency. A minimum inductance value of 2.2μH is required. Larger values of inductance will allow greater output current capability by reducing the inductor ripple current. Increasing the inductance above 10μH will increase total solution area while providing minimal improvement in output current capability.

The inductor current ripple is typically set to 20% to 40% of the maximum inductor current. For high efficiency, choose an inductor with high frequency core material, such as ferrite, to reduce core losses. The inductor should have low ESR (equivalent series resistance) to reduce the I<sup>2</sup>R power losses, and must be able to handle the peak inductor current without saturating. To minimize radiated noise, use a toroidal or shielded inductor. See Table 1 for some suggested inductor suppliers.

Table 1. Inductor Vendor Information

PART NUMBER	SUPPLIER	WEB SITE
MSS5131 and MOS6020 Series	Coilcraft	www.coilcraft.com
SLF7028 and SLF7045 Series	TDK	www.component.tdk.com
LQH55D Series	Murata	www.murata.com
CDRH4D28 Series	Sumida	www.sumida.com
D53LC and D62CB Series	Toko	www.tokoam.com
DT0703 Series	CoEV	www.coev.net
MJPF2520 Series	FDK	www.fdk.com

#### Output Capacitor Selection

The output voltage ripple has three components to it. The bulk value of the capacitor is set to reduce the ripple due to charge into the capacitor each cycle. The maximum ripple voltage due to charge is given by:

$$V_{RBULK} = I_P \cdot \frac{V_{IN}}{(C_{OUT} \cdot V_{OUT} \cdot f)}$$

where I<sub>P</sub> = peak inductor current and f = switching frequency.

The ESR (equivalent series resistance) is usually the most dominant factor for ripple in most power converters. The ripple due to capacitor ESR is simply given by:

$$V_{RCESR} = I_P \cdot C_{ESR}$$

where C<sub>ESR</sub> = capacitor equivalent series resistance.

## APPLICATIONS INFORMATION

The ESL (equivalent series inductance) is also an important factor for high frequency converters. Using small surface mount ceramic capacitors, placed as close as possible to  $V_{OUT}$ , will minimize ESL.

Low ESR capacitors should be used to minimize output voltage ripple. A 4.7 $\mu$ F to 10 $\mu$ F output capacitor is sufficient for most applications and should be placed as close to  $V_{OUT}$  as possible. Larger values may be used to obtain even lower output ripple and improve transient response. X5R and X7R dielectric materials are preferred for their ability to maintain capacitance over wide voltage and temperature ranges.

### Input Capacitor Selection

The input filter capacitor reduces peak currents drawn from the input source and reduces input switching noise. Ceramic capacitors are a good choice for input decoupling due to their low ESR and ability to withstand reverse voltage (i.e. non-polar nature). The capacitor should be located as close as possible to the device. In most applications a 2.2 $\mu$ F input capacitor is sufficient. Larger values may be used without limitations. Table 2 shows a list of several ceramic capacitor manufacturers.

**Table 2. Capacitor Vendor Information**

SUPPLIER	WEB SITE
AVX	www.avxcorp.com
Murata	www.murata.com
TDK	www.component.tdk.com
Taiyo Yuden	www.t-yuden.com

### Thermal Considerations

For the LTC3499/LTC3499B to deliver full output power, it is imperative that a good thermal path be provided to dissipate the heat generated within the package. For the DFN package, this can be accomplished by taking advantage of the large thermal pad on the underside of the device. It is recommended that multiple vias in the printed circuit board be used to conduct heat away from the part and

into a copper plane with as much area as possible. If the junction temperature continues to rise, the part will go into thermal shutdown where switching will stop until the temperature drops.

### Closing the Feedback Loop

The LTC3499/LTC3499B utilize current mode control, with internal slope compensation. Current mode control eliminates the 2nd order filter due to the inductor and output capacitor exhibited in voltage mode controllers, thus simplifying it to a single pole filter response. The product of the modulator control to output DC gain and the error amp open loop gain gives the DC gain of the system:

$$G_{DC} = G_{CONTROL} \cdot G_{EA} \cdot \frac{V_{REF}}{V_{OUT} \cdot G_{CURRENT\_SENSE}}$$

$$G_{CONTROL} = 2 \cdot \frac{V_{IN}}{I_{OUT}}$$

$$G_{EA} \approx 1000, G_{CURRENT\_SENSE} = \frac{1}{R_{DS(ON)}}$$

The output filter pole is given by:

$$f_{FILTER\_POLE} = \frac{I_{OUT}}{(\pi \cdot V_{OUT} \cdot C_{OUT})}$$

where  $C_{OUT}$  is the output filter capacitor.

The output filter zero is given by:

$$f_{FILTER\_ZERO} = \frac{1}{(2 \cdot \pi \cdot R_{ESR} \cdot C_{OUT})}$$

where  $R_{ESR}$  is the capacitor equivalent series resistance.

A troublesome feature of the boost regulator topology is the right half plane (RHP) zero, given by:

$$f_{RHPZ} = \frac{V_{IN}^2}{(2 \cdot \pi \cdot I_{OUT} \cdot V_{OUT} \cdot L)}$$

## APPLICATIONS INFORMATION

There is a resultant gain increase with a phase lag which makes it difficult to compensate the loop. At heavy loads the right half plane zero can occur at a relatively low frequency. The loop gain is typically rolled off before the RHP zero frequency.

The typical error amp compensation is shown in Figure 3, following the equations for the loop dynamics:

$$f_{\text{POLE1}} \sim \frac{1}{(2 \cdot \pi \cdot 10\text{e}6 \cdot C_{C1})}$$

which is extremely close to DC.

$$f_{\text{ZERO1}} = \frac{1}{(2 \cdot \pi \cdot R_Z \cdot C_{C1})}$$

$$f_{\text{POLE2}} = \frac{1}{(2 \cdot \pi \cdot R_Z \cdot C_{C2})}$$

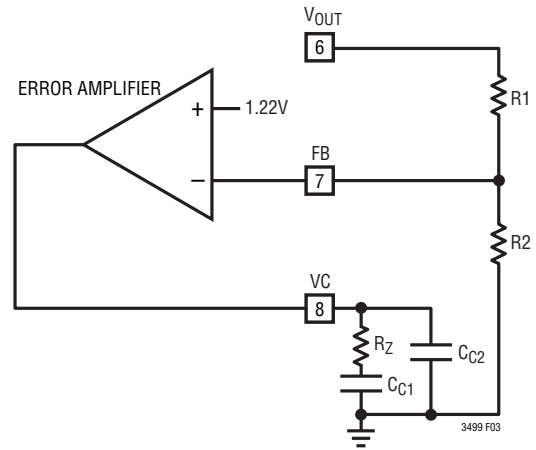
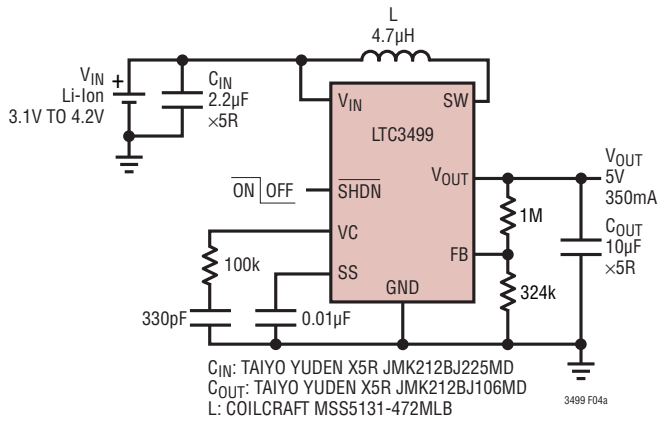


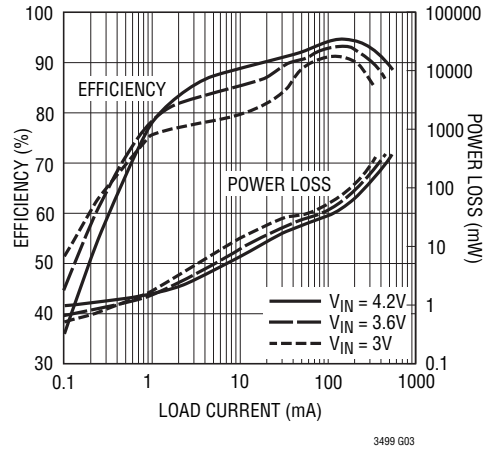
Figure 3: Typical Error Amplifier Compensation

# TYPICAL APPLICATIONS

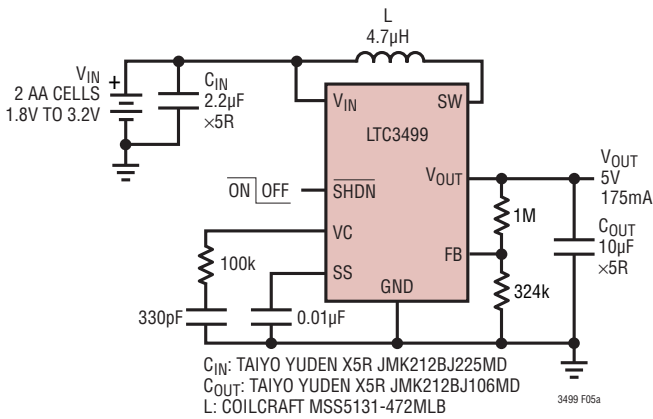
Lithium-Ion to 5V, 350mA



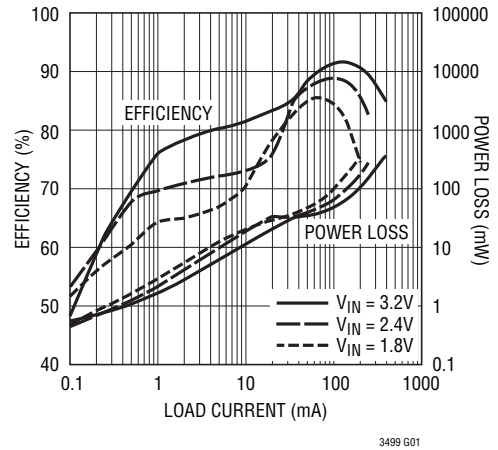
Lithium-Ion to 5V Efficiency



Two Cells to 5V, 175mA

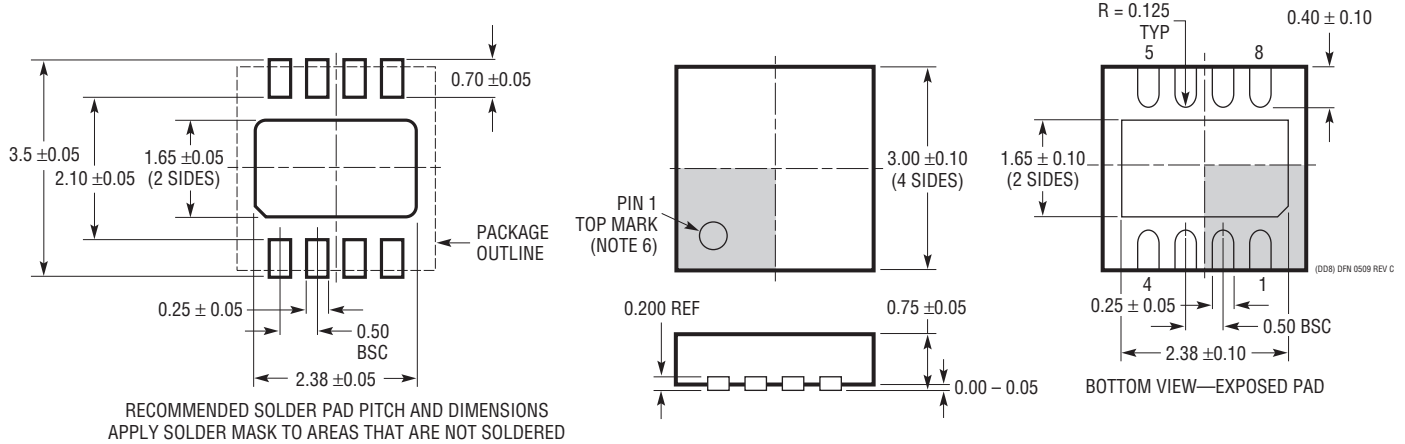


Two Cells to 5V Efficiency



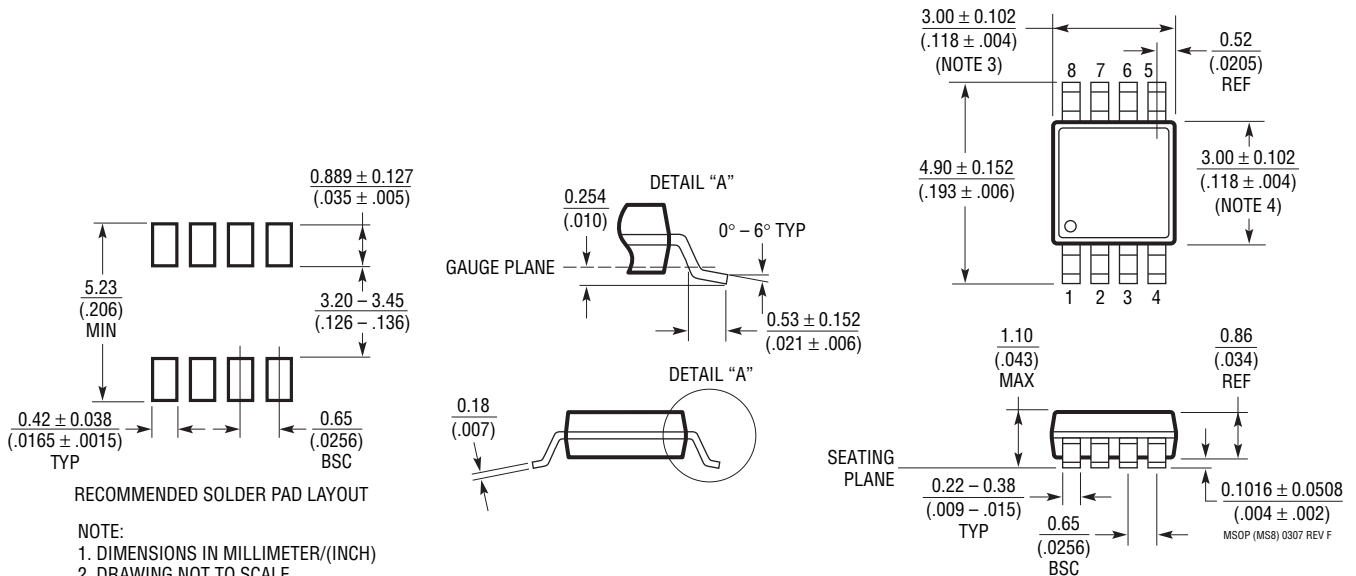
## PACKAGE DESCRIPTION

### DD Package 8-Lead Plastic DFN (3mm × 3mm) (Reference LTC DWG # 05-08-1698 Rev C)



- NOTE:
1. DRAWING TO BE MADE A JEDEC PACKAGE OUTLINE M0-229 VARIATION OF (WEED-1)
  2. DRAWING NOT TO SCALE
  3. ALL DIMENSIONS ARE IN MILLIMETERS
  4. DIMENSIONS OF EXPOSED PAD ON BOTTOM OF PACKAGE DO NOT INCLUDE MOLD FLASH. MOLD FLASH, IF PRESENT, SHALL NOT EXCEED 0.15mm ON ANY SIDE
  5. EXPOSED PAD SHALL BE SOLDER PLATED
  6. SHADED AREA IS ONLY A REFERENCE FOR PIN 1 LOCATION ON TOP AND BOTTOM OF PACKAGE

### MS8 Package 8-Lead Plastic MSOP (Reference LTC DWG # 05-08-1660 Rev F)



- NOTE:
1. DIMENSIONS IN MILLIMETER/(INCH)
  2. DRAWING NOT TO SCALE
  3. DIMENSION DOES NOT INCLUDE MOLD FLASH, PROTRUSIONS OR GATE BURRS. MOLD FLASH, PROTRUSIONS OR GATE BURRS SHALL NOT EXCEED 0.152mm (.006") PER SIDE
  4. DIMENSION DOES NOT INCLUDE INTERLEAD FLASH OR PROTRUSIONS. INTERLEAD FLASH OR PROTRUSIONS SHALL NOT EXCEED 0.152mm (.006") PER SIDE
  5. LEAD COPLANARITY (BOTTOM OF LEADS AFTER FORMING) SHALL BE 0.102mm (.004") MAX

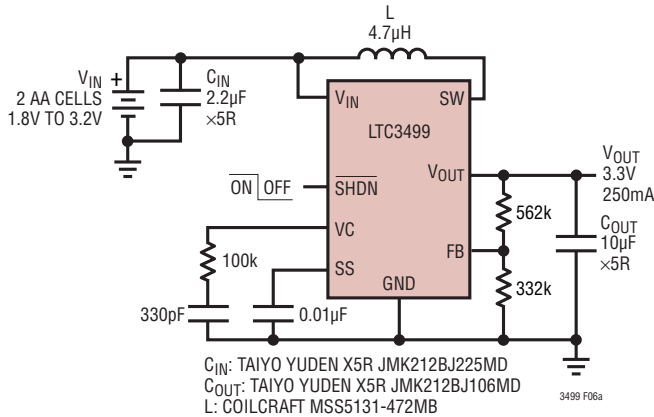
**REVISION HISTORY** (Revision history begins at Rev C)

REV	DATE	DESCRIPTION	PAGE NUMBER
C	3/11	Updated Pin Functions for Pins 4 and 9. Corrected typo in Equation from $f_{RPHZ}$ to $f_{RHPZ}$ .	6 11

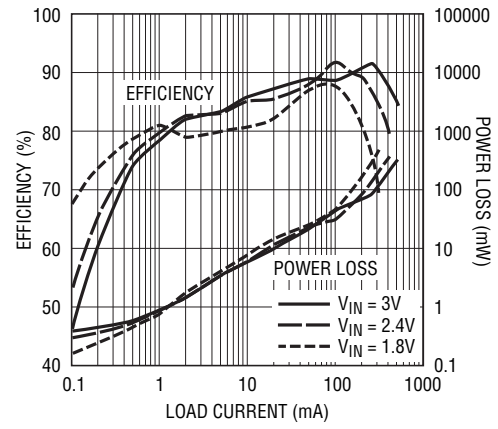


## TYPICAL APPLICATION

Two Cells to 3.3V, 250mA



Two Cells to 5V Efficiency



## RELATED PARTS

PART NUMBER	DESCRIPTION	COMMENTS
LT1930/LT1930A	1A ( $I_{SW}$ ), 1.2MHz/2.2MHz, High Efficiency Step-Up DC/DC Converter	High Efficiency, $V_{IN}$ : 2.6V to 16V, $V_{OUT(MAX)}$ = 34V, $I_Q$ = 4.2mA/5.5mA, $I_{SD}$ < 1µA, ThinSOT Package
LT1961	1.5A ( $I_{SW}$ ), 1.25MHz, High Efficiency Step-Up DC/DC Converter	90% Efficiency, $V_{IN}$ : 3V to 25V, $V_{OUT(MAX)}$ = 35V, $I_Q$ = 0.9mA, $I_{SD}$ < 6µA, MS8E Package
LTC3400/LTC3400B	600mA ( $I_{SW}$ ), 1.2MHz, Synchronous Step-Up DC/DC Converter	92% Efficiency, $V_{IN}$ : 0.5V to 5V, $V_{OUT(MAX)}$ = 5V, $I_Q$ = 19µA/300µA, $I_{SD}$ < 1µA, ThinSOT Package
LTC3401	1A ( $I_{SW}$ ), 3MHz, Synchronous Step-Up DC/DC Converter	97% Efficiency, $V_{IN}$ : 0.5V to 5V, $V_{OUT(MAX)}$ = 5.5V, $I_Q$ = 38µA, $I_{SD}$ < 1µA, 10-Lead MS Package
LTC3402	2A ( $I_{SW}$ ), 3MHz, Synchronous Step-Up DC/DC Converter	97% Efficiency, $V_{IN}$ : 0.5V to 5V, $V_{OUT(MAX)}$ = 5.5V, $I_Q$ = 38µA, $I_{SD}$ < 1µA, 10-Lead MS Package
LTC3421	3A ( $I_{SW}$ ), 3MHz, Synchronous Step-Up DC/DC Converter with Output Disconnect	95% Efficiency, $V_{IN}$ : 0.5V to 4.5V, $V_{OUT(MAX)}$ = 5.25V, $I_Q$ = 12µA, $I_{SD}$ < 1µA, 24-Lead QFN Package
LTC3422	1.5A ( $I_{SW}$ ), 3MHz, Synchronous Step-Up DC/DC Converter with Output Disconnect	95% Efficiency, $V_{IN}$ : 0.5V to 4.5V, $V_{OUT(MAX)}$ = 5.25V, $I_Q$ = 25µA, $I_{SD}$ < 1µA
LTC3425	5A ( $I_{SW}$ ), 8MHz, 4-Phase Synchronous Step-Up DC/DC Converter with Output Disconnect	95% Efficiency, $V_{IN}$ : 0.5V to 4.5V, $V_{OUT(MAX)}$ = 5.25V, $I_Q$ = 12µA, $I_{SD}$ < 1µA, 32-Lead QFN Package
LTC3427	500mA ( $I_{SW}$ ), 1.25MHz, Synchronous Step-Up DC/DC Converter with Soft-Start/Output Disconnect	94% Efficiency, $V_{IN}$ : 1.8V to 5V, $V_{OUT(MAX)}$ = 5.25V, $I_{SD}$ < 1µA, DFN Package
LTC3429/LTC3429B	600mA ( $I_{SW}$ ), 550kHz, Synchronous Step-Up DC/DC Converters with Soft-Start/Output Disconnect	92% Efficiency, $V_{IN}$ : 0.5V to 4.3V, $V_{OUT(MAX)}$ = 5V, $I_Q$ = 20µA, $I_{SD}$ < 1µA, ThinSOT Package
LTC3458/LTC3458L	1.4A/1.7A ( $I_{SW}$ ), 1.5MHz, Synchronous Step-Up DC/DC Converter with Soft-Start/Output Disconnect	93% Efficiency, $V_{IN}$ : 1.5V to 6V, $V_{OUT(MAX)}$ = 7.5V/6V, $I_Q$ = 15µA, $I_{SD}$ < 1µA, DFN Package
LTC3525	400mA ( $I_{SW}$ ), Synchronous Step-Up DC/DC Converter in SC70	94% Efficiency, $V_{IN}$ : 0.5V to 4.5V, $V_{OUT(MAX)}$ = 5.25V, $I_Q$ = 7µA, $I_{SD}$ < 1µA, Output Disconnect