



Chipsmall Limited consists of a professional team with an average of over 10 year of expertise in the distribution of electronic components. Based in Hongkong, we have already established firm and mutual-benefit business relationships with customers from,Europe,America and south Asia,supplying obsolete and hard-to-find components to meet their specific needs.

With the principle of “Quality Parts,Customers Priority,Honest Operation,and Considerate Service”,our business mainly focus on the distribution of electronic components. Line cards we deal with include Microchip,ALPS,ROHM,Xilinx,Pulse,ON,Everlight and Freescale. Main products comprise IC,Modules,Potentiometer,IC Socket,Relay,Connector.Our parts cover such applications as commercial,industrial, and automotives areas.

We are looking forward to setting up business relationship with you and hope to provide you with the best service and solution. Let us make a better world for our industry!



Contact us

Tel: +86-755-8981 8866 Fax: +86-755-8427 6832

Email & Skype: info@chipsmall.com Web: www.chipsmall.com

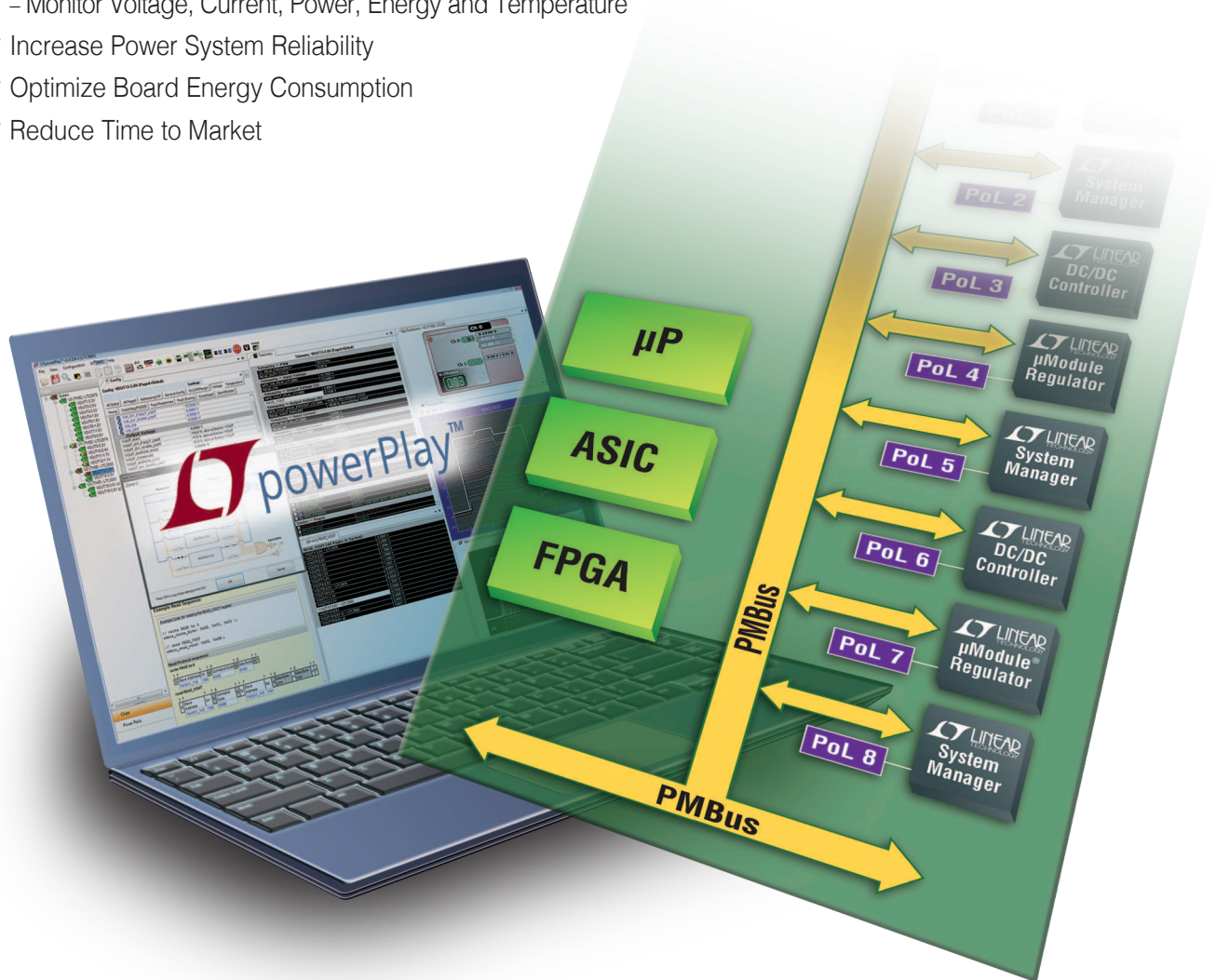
Address: A1208, Overseas Decoration Building, #122 Zhenhua RD., Futian, Shenzhen, China



Digital Power System Management

µModule Regulators • DC/DC ICs • Manager ICs • Sequencers • Supervisors

- ✓ Digitally Manage Point-of-Load (POL) Power Supplies
 - Trim, Margin, Sequence, Supervise, Log Faults
 - Monitor Voltage, Current, Power, Energy and Temperature
- ✓ Increase Power System Reliability
- ✓ Optimize Board Energy Consumption
- ✓ Reduce Time to Market



Take Control of Your Power Supplies

Accelerate characterization and optimization during prototyping and field operation with Linear Technology's digital power system management (PSM) products, configured and monitored via a PMBus/SMBus/I²C digital interface.

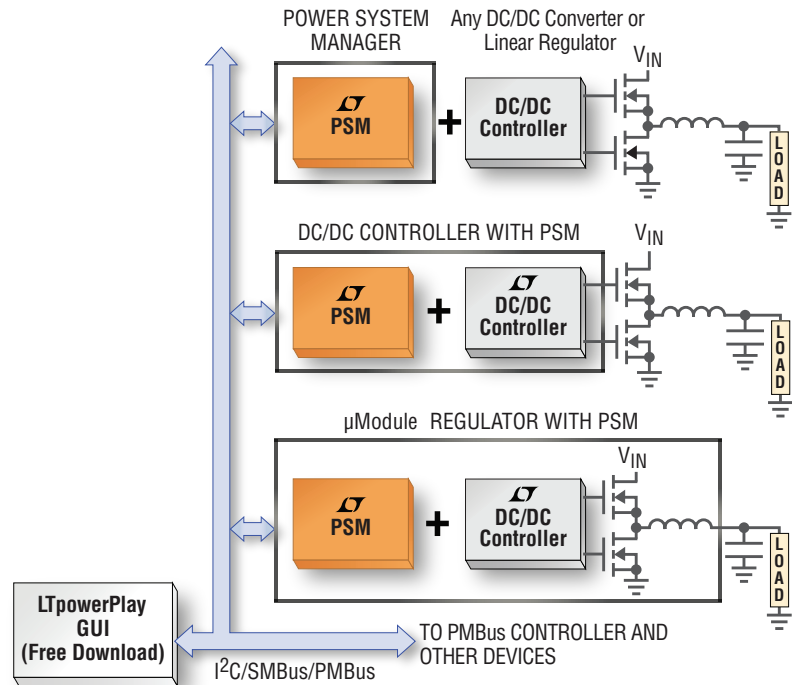


LT, LT, LTC, LTM, Linear Technology, the Linear logo, µModule and LTpowerPlay are registered trademarks of Analog Devices, Inc. All other trademarks are the property of their respective owners.

Linear Technology Digital Power System Management

Benefits

- $\pm 0.25\%$ Voltage Accuracy
- Products
 - Power System Managers
 - DC/DC Controllers with PSM
 - Fully Integrated μ Module[®] Regulators
- LTpowerPlay[®] GUI: Engineering-Level Development Environment
- PMBus Compliant Commands Over I²C/SMBus Digital Interface
- EEPROM for Configuration and Black Box Fault Logging
- Autonomous Operation—No Software Coding Required
- Coordinate Sequencing and Fault Management Across PSM Devices
- Reduced BOM Cost and Validation Effort



μ Module Regulators, DC/DC Controllers and Monolithic Regulators with Power System Management

- Fast Analog Feedback Loop with Digital Telemetry and Control
- Program V_{OUT} , I_{LIM} , OV/UV Level, Frequency, Ramp Rate, Sequencing Time Delays, Margining
- Read Back V_{IN} , I_{IN} , V_{OUT} , I_{OUT} , P_{OUT} , Duty Cycle, Temperature, Faults

PSM Switcher Selection Guide

Features	μ Module Regulators			LTC [®] 3880	LTC3880-1	LTC3882
	LTM [®] 4676	LTM4676A	LTM4675			
PSM	Full	Full	Full	Full	Full	Full
Number of Outputs	2	2	2	2	2	2
PWM Control Mode	Current	Current	Current	Current	Current	Voltage
Start-Up Time (Typ)	153 (170 Max)	60 (70 Max)	60 (70 Max)	145	145	70
Input Current Sense	Calibrated	Calibrated	Calibrated	Inferred	Inferred	No
V_{OUT} Range (V)	0.5 to 4.0, ch0 0.5 to 5.4, ch1	0.5 to 5.5	0.5 to 5.5	0.5 to 4.0, ch0 0.5 to 5.4, ch1	0.5 to 4.0, ch0 0.5 to 5.4, ch1	0.5 to 5.3
V_{IN} Range (V)	4.5 to 26.5	4.5 to 17	4.5 to 17	4.5 to 24	4.5 to 24	3.0 to 38
V_{OUT} Accuracy (%)	1	0.5	0.5	0.5	0.5	0.5
I_{OUT} (A) Max	Dual 13 or Single 26	Dual 13 or Single 26	Dual 9 or Single 18	30/Phase*	30/Phase*	40A/Phase*
Temperature Sensing	ΔV_{BE}	ΔV_{BE}	ΔV_{BE}	ΔV_{BE}	ΔV_{BE}	ΔV_{BE} and Direct
DCR Sensing	NA	NA	NA	Low	Low	Ultralow
Dedicated PGOOD Pins	No	No	No	No	No	No
Gate Drivers	NA	NA	NA	Yes	Yes	No
Three-State PWM Control	NA	NA	NA	No	No	Yes
Digitally Adjustable Loop Compensation	No	No	No	No	No	No
On-Chip LDO from V_{IN}	Yes	Yes	Yes	Yes	No	No
Fast ADC Mode	No	Yes	Yes	No	No	No
Corresponding Slaves	NA	NA	NA	LTC3870	LTC3870	NA
Package (mm x mm)	16 x 16 x 5.01 BGA	16 x 16 x 5.01 BGA	11.9 x 16 x 3.51 BGA	6 x 6 QFN-40	6 x 6 QFN-40	6 x 6 QFN-40

* Depends on choice of external components

Power System Managers

- Manage Any Adjustable Point-of-Load Power Supply
- Trim, Margin, Sequence, Supervise, Manage Faults, Monitor Telemetry, Record Fault Logs
- Read Back Voltage, Current, Power, Temperature and Faults

Device	Voltage Supply Channels Managed ¹	Number of Current Sensed Loads	Input Energy	Temp Sense		Digital Interface			EEPROM	Includes Res/Cap	Trim/Margin/Monitor Accuracy (%)	Sequencing			Bias Supply			Package (mm × mm)	Demo Board
				Internal	External	PMBus	SMBus	I ² C				Time	Cascade	Tracking	3.3V	5V	12V		
LTC2970 ²	2	2		•			•	•			±0.50				•	•	4 x 5 QFN-24	DC1262	
LTC2974	4	4		•	4	•	•	•	•		±0.25	•	•	•	•	•	9 x 9 QFN-64	DC1978	
LTC2975	4	5	•	•	4	•	•	•	•		±0.25	•	•	•	•	•	9 x 9 QFN-64	DC2022	
LTC2977	8			•		•	•	•	•		±0.25	•		•	•	•	9 x 9 QFN-64	DC2028	
LTC2980	16			•		•	•	•	•		±0.25	•		•	•	•	12 x 12 BGA	DC2198	
LTM2987	16			•		•	•	•	•	•	±0.25	•		•	•	•	15 x 15 BGA	DC2023	

¹ A channel refers to the collection of functions that trims, supervises and monitors a given power supply rail.

² LTC2970 is not supported by LTpowerPlay. See LTC2970-1 for sequencing.

Programmable 6-Channel Sequencer and Supervisors with EEPROM

Device	Sequencer/Supervisor	Comparator Outputs	Threshold Range (V)	Threshold Accuracy (%)	Power Supply (V)	Package (mm × mm)	Demo Board
LTC2933	Supervisor	No	1 to 13.9 (1x) 0.2 to 5.8 (5x)	±1	3.4 to 13.9	5x4 DFN-16, SSOP-16	DC1633
LTC2936	Supervisor	Yes	0.2 to 5.8 (6x)	±1	3.13 to 13.9	4x5 QFN-24, SSOP-24	DC1605
LTC2937	Sequencer	No	0.2 to 6 (6x)	±0.75	2.9 to 16.5	5x6 QFN-28	DC2313

DC/DC Controllers								Monolithic Regulators
LTC3882-1	LTC3883	LTC3883-1	LTC3884	LTC3884-1	LTC3886	LTC3887	LTC3887-1	LTC3815
Full	Full	Full	Full	Full	Full	Full	Full	Lite
2	1	1	2	2	2	2	2	1
Voltage	Current	Current	Current	Current	Current	Current	Current	Current
70	145	145	65	65	65	70	70	<10
No	Yes	Yes	Yes	Yes	Yes	Inferred	Inferred	Yes
0.5 to 5.3	0.5 to 5.4	0.5 to 5.4	0.5 to 5.4	0.5 to 5.4	0.5 to 13.2	0.5 to 5.5	0.5 to 5.5	0.4 – 0.72 • V _{IN}
3.0 to 38	4.5 to 24	4.5 to 24	4.5 to 38	4.5 to 38	4.5 to 60	4.5 to 24	4.5 to 24	2.2 to 5.5
0.5	0.5	0.5	0.5	0.5	0.5	0.5	0.5	1
40A/Phase*	30/Phase*	30/Phase*	30/Phase*	30/Phase*	30/Phase*	30/Phase*	30/Phase*	6A
ΔV _{BE} and Direct	ΔV _{BE}	ΔV _{BE}	ΔV _{BE} and Direct	ΔV _{BE} and Direct	ΔV _{BE} and Direct	ΔV _{BE}	ΔV _{BE}	Internal
Ultralow	Low	Low	Very Low	Very Low	Low	Low	Low	NA
Yes	Yes	Yes	Yes	Yes	Yes	No	No	Yes
No	Yes	Yes	Yes	No	Yes	Yes	No	NA
Yes	No	No	No	Yes	No	No	Yes	NA
No	No	No	Yes	Yes	Yes	No	No	No
No	Yes	No	Yes	Yes	Yes	Yes	Yes	Yes
No	No	No	Yes	Yes	Yes	Yes	Yes	NA
NA	LTC3870	LTC3870	LTC3874	LTC3874	LTC3870	LTC3870	LTC3870	NA
6 x 6 QFN-40	5 x 5 QFN-32	5 x 5 QFN-32	7 x 7 QFN-48	7 x 7 QFN-48	7 x 8 QFN-46	6 x 6 QFN-40	6 x 6 QFN-40	4 x 6 QFN-38

Hardware Support

A DC1613 USB-to-I²C/SMBus/PMBus controller (adapter) is used to interface any PSM demo board to a computer. Every PSM device comes with at least one specific demo board. Some PSM demo boards can be cascaded together for evaluating multiple rails.

To USB Port of
Computer Running
LTpowerPlay

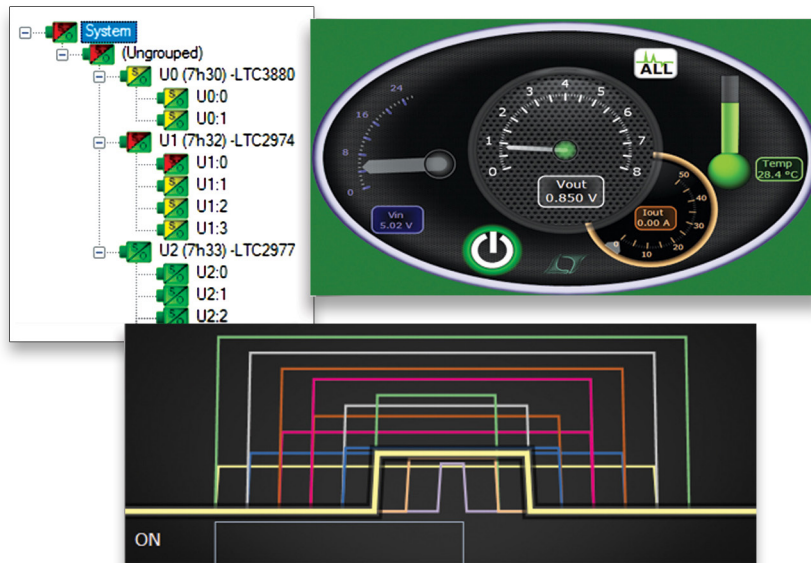


12-Pin Ribbon Cable
to PSM Demo Board

If Needed, DC2086 Adapts
12-Pin Cable to 4-Pin Header

Software Support

LTpowerPlay is a powerful and intuitive Windows-based development environment used to configure and interrogate PSM devices. It can also be used in an offline mode (with no hardware present) in order to build a multichip configuration file that can be saved and reloaded at a later time. It is available as a free download at: www.linear.com/LTpowerPlay



Device Programming

PSM devices ship from Linear Technology with a default register configuration loaded in EEPROM. The options to ship with a customized, application-specific configuration developed during the prototyping phase are as follows:

- **Linear Technology NVM Programming Service:** This involves submitting the configuration file, then receiving a few custom programmed samples (First Articles) for verification and approval. Please visit: www.linear.com/program
- **In-Circuit Programming:** Use LTpowerPlay on a computer with a DC1613 USB-to-PMBus controller (adapter) to program PSM devices on circuit boards with pin headers accessing the PSM device.
- **JTAG Programming:** Use third-party programmers from Asset Intertech or JTAG Technologies to program PSM devices on circuit boards connected to JTAG scan chains without needing additional programmers or pin headers.

Getting Started



Scan to watch video:
<http://ltpowerplay.com/ps1full>

1. Obtain the PSM Starter Kit, [DC1962C-KIT](#)
2. Download [LTpowerPlay](#)
3. Watch the [Video](#)