



Chipsmall Limited consists of a professional team with an average of over 10 year of expertise in the distribution of electronic components. Based in Hongkong, we have already established firm and mutual-benefit business relationships with customers from,Europe,America and south Asia,supplying obsolete and hard-to-find components to meet their specific needs.

With the principle of “Quality Parts,Customers Priority,Honest Operation,and Considerate Service”,our business mainly focus on the distribution of electronic components. Line cards we deal with include Microchip,ALPS,ROHM,Xilinx,Pulse,ON,Everlight and Freescale. Main products comprise IC,Modules,Potentiometer,IC Socket,Relay,Connector.Our parts cover such applications as commercial,industrial, and automotives areas.

We are looking forward to setting up business relationship with you and hope to provide you with the best service and solution. Let us make a better world for our industry!



## Contact us

Tel: +86-755-8981 8866 Fax: +86-755-8427 6832

Email & Skype: info@chipsmall.com Web: www.chipsmall.com

Address: A1208, Overseas Decoration Building, #122 Zhenhua RD., Futian, Shenzhen, China



## FEATURES

- RF Power Amplifier Control in ThinSOT™ Package
- Internal Schottky Diode Detector with >45dB Range
- Wide Input Frequency Range:  
 300MHz to 2.7GHz (LTC4401-1)  
 300MHz to 2GHz (LTC4401-2)
- Autozero Loop Cancels Offset Errors and Temperature Dependent Offsets
- Wide V<sub>CC</sub> Range: 2.7V to 6V
- Automatic Bandwidth Control Improves Low Power Ramp Response
- Allows Direct Connection to Battery
- RF Output Power Set by External DAC
- Internal Frequency Compensation
- Rail-to-Rail Power Control Output
- Power Control Signal Overvoltage Protection
- Low Operating Current: 1mA
- Low Shutdown Current: 10μA
- Two Pole PCTL Input Filtering
- Low Profile (1mm) SOT-23 (ThinSOT™) (LTC4401-1) and 8-Pin MSOP (LTC4401-2) Packages

## APPLICATIONS

- GSM/GPRS Cellular Telephones
- PCS Devices
- Wireless Data Modems
- U.S. TDMA Cellular Phones

## DESCRIPTION

The LTC<sup>®</sup>4401-1 is a SOT-23 RF power controller for slow turn-on RF power amplifiers operating in the 300MHz to 2.7GHz range. The loop bandwidth is set at 250kHz to improve frequency stability when controlling slow turn-on RF power amplifiers such as the Conexant CX77301/CX77302, CX77304, CX77314, Anadigics AWT6107 and the RF Micro Devices RF3160.

RF power is controlled by driving the RF amplifier power control pins and sensing the resultant RF output power via a directional coupler. The RF sense voltage is peak detected using an on-chip Schottky diode. This detected voltage is compared to the DAC voltage at the PCTL pin to control the output power. The RF power amplifier is protected against high power control pin voltages.

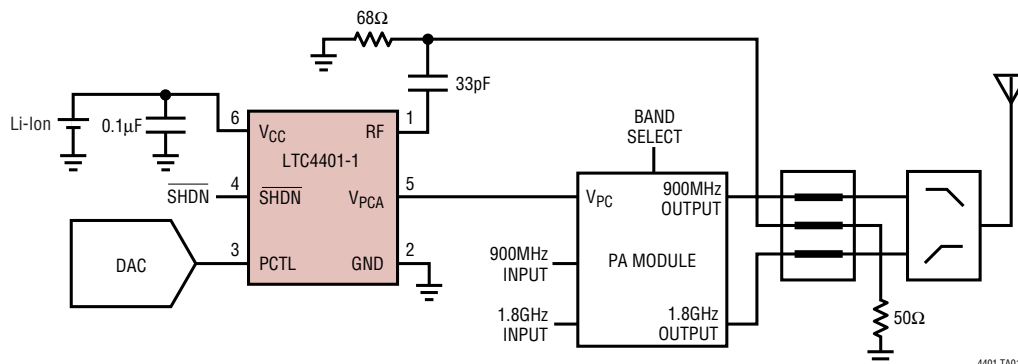
Internal and external offsets are cancelled over temperature by an autozero control loop, allowing accurate low power programming. The shutdown feature disables the part and reduces the supply current to <10μA.

A dual control channel version (LTC4401-2) is also available in an 8-pin MSOP package.

LT, LTC and LT are registered trademarks of Linear Technology Corporation. ThinSOT is a trademark of Linear Technology Corporation.

## TYPICAL APPLICATION

**LTC4401-1 Dual Band Cellular Telephone Transmitter**



4401 TA01

4401fa

# LTC4401-1/LTC4401-2

## ABSOLUTE MAXIMUM RATINGS (Note 1)

|                                  |                              |   |                |
|----------------------------------|------------------------------|---|----------------|
| $V_{CC}$ to GND .....            | -0.3V to 6.5V                | $I_{V_{PCA/B}}$ .....                     | 10mA           |
| $V_{PCA/B}$ Voltage to GND ..... | -0.3V to 3.2V                | Operating Temperature Range (Note 2) ..   | -30°C to 85°C  |
| PCTL Voltage to GND .....        | -0.3V to ( $V_{CC} + 0.3V$ ) | Storage Temperature Range .....           | -65°C to 150°C |
| RF Voltage to GND .....          | ( $V_{CC} - 2.6V$ ) to 7V    | Maximum Junction Temperature .....        | 125°C          |
| BSEL, SHDN Voltage to GND .....  | -0.3V to ( $V_{CC} + 0.3V$ ) | Lead Temperature (Soldering, 10 sec)..... | 300°C          |

## PACKAGE/ORDER INFORMATION

|   |                   |   |                   |
|---|-------------------|---|-------------------|
| <p>S6 PACKAGE<br/>6-LEAD PLASTIC TSOT-23<br/><math>T_{JMAX} = 125^{\circ}C, \theta_{JA} = 230^{\circ}C/W</math></p> | ORDER PART NUMBER | <p>MS8 PACKAGE<br/>8-LEAD PLASTIC MSOP<br/><math>T_{JMAX} = 125^{\circ}C, \theta_{JA} = 250^{\circ}C/W</math></p> | ORDER PART NUMBER |
|   | LTC4401-1ES6      |   | LTC4401-2EMS8     |
|   | S6 PART MARKING   |   | MS8 PART MARKING  |
|   | LTXA              |   | LTXC              |

Consult LTC Marketing for parts specified with wider operating temperature ranges.

## ELECTRICAL CHARACTERISTICS

The ● denotes specifications which apply over the full operating temperature range, otherwise specifications are at  $T_A = 25^{\circ}C$ .  $V_{CC} = 3.6V$ , SHDN = HI, unless otherwise noted.

| PARAMETER                      | CONDITIONS  | MIN    | TYP | MAX             | UNITS      |            |
|--------------------------------|---|--------|-----|-----------------|------------|------------|
| $V_{CC}$ Operating Voltage     |   | ● 2.7  |     | 6               | V          |            |
| $I_{V_{CC}}$ Shutdown Current  | SHDN = 0V   | ●      | 10  | 20              | $\mu A$    |            |
| $I_{V_{CC}}$ Operating Current | SHDN = HI, $I_{V_{PCA/B}} = 0mA$  | ●      | 1.2 | 1.9             | mA         |            |
| $V_{PCA/B} V_{OL}$             | $R_{LOAD} = 400\Omega$ , Enabled  | ● 0    |     | 0.05            | V          |            |
| $V_{PCA/B}$ Dropout Voltage    | $I_{LOAD} = 6mA, V_{CC} = 3V$   | ●      |     | $V_{CC} - 0.25$ | V          |            |
| $V_{PCA/B}$ Voltage Clamp      | PCTL = 1V   | ● 2.7  | 2.9 | 3.1             | V          |            |
| $V_{PCA/B}$ Output Current     | $V_{PCA/B} = 2.4V, V_{CC} = 3V$   | ●      | 7   | 10              | mA         |            |
| $V_{PCA/B}$ Enable Time        | SHDN = $V_{CC}$ (Note 5)  | ●      | 9   | 10.2            | $\mu s$    |            |
| $V_{PCA/B}$ Bandwidth          | $C_{LOAD} = 100pF, R_{LOAD} = 2k$ (Note 8)                                    | ●      | 175 | 250<br>130      | kHz<br>kHz |            |
| $V_{PCA/B}$ Load Capacitance   | (Note 6)  | ●      |     | 100             | pF         |            |
| $V_{PCA/B}$ Slew Rate          | $V_{PCTL} = 2V$ Step, $C_{LOAD} = 100pF$ ,<br>$R_{LOAD} = 400\Omega$ (Note 3) | ●      | 1   | 1.5             | 2          | V/ $\mu s$ |
| $V_{PCA/B}$ Droop              |   |        | 1   |                 | $\mu V/ms$ |            |
| $V_{PCA/B}$ Start Voltage      | Open Loop (Note 9)  | ● 300  | 450 | 550             | mV         |            |
| BSEL, SHDN Input Threshold     | $V_{CC} = 2.7V$ to 6V   | ● 0.35 |     | 1.4             | V          |            |
| BSEL, SHDN Input Current       | BSEL = SHDN = 3.6V  | ● 16   | 24  | 36              | $\mu A$    |            |
| PCTL Input Voltage Range       | (Note 7)  | ● 0    |     | 2.4             | V          |            |
| PCTL Input Resistance          |   | ● 60   | 90  | 120             | k $\Omega$ |            |
| PCTL Input Filter              |   |        | 270 |                 | kHz        |            |
| Autozero Range                 | (Note 4)  | ●      |     | 400             | mV         |            |

4401fa

**ELECTRICAL CHARACTERISTICS** The ● denotes specifications which apply over the full operating temperature range, otherwise specifications are at  $T_A = 25^\circ\text{C}$ .  $V_{CC} = 3.6\text{V}$ ,  $\overline{\text{SHDN}} = \text{HI}$ , unless otherwise noted.

| PARAMETER                        | CONDITIONS                      | MIN   | TYP | MAX  | UNITS    |
|----------------------------------|---------------------------------|-------|-----|------|----------|
| RF Input Frequency Range         | LTC4401-1 (Note 6)              | 300   |     | 2700 | MHz      |
|                                  | LTC4401-2 (Note 6)              | 300   |     | 2000 | MHz      |
| RF Input Power Range (LTC4401-1) | RF Frequency = 900MHz (Note 6)  | -28   |     | 18   | dBm      |
|                                  | RF Frequency = 1800MHz (Note 6) | -26   |     | 18   | dBm      |
|                                  | RF Frequency = 2400MHz (Note 6) | -24   |     | 16   | dBm      |
|                                  | RF Frequency = 2700MHz (Note 6) | -22   |     | 16   | dBm      |
| RF Input Power Range (LTC4401-2) | RF Frequency = 900MHz (Note 6)  | -28   |     | 18   | dBm      |
|                                  | RF Frequency = 2000MHz (Note 6) | -26   |     | 18   | dBm      |
| RF Input Resistance              | Referenced to $V_{CC}$          | ● 150 | 250 | 350  | $\Omega$ |

**Note 1:** Absolute Maximum Ratings are those values beyond which the life of a device may be impaired.

**Note 2:** The LTC4401-X is guaranteed to meet performance specifications from  $0^\circ\text{C}$  to  $70^\circ\text{C}$ . Specifications over the  $-30^\circ\text{C}$  to  $85^\circ\text{C}$  operating temperature range are assured by design, characterization and correlation with statistical process controls.

**Note 3:** Slew rate is measured open loop. The slew time at  $V_{PCA/B}$  is measured between 1V and 2V.

**Note 4:** Maximum DAC zero-scale offset voltage that can be applied to PCTL.

**Note 5:** This is the time from  $\overline{\text{SHDN}}$  rising edge 50% switch point to  $V_{PCA} = 0.25\text{V}$ .

**Note 6:** Guaranteed by design. This parameter is not production tested.

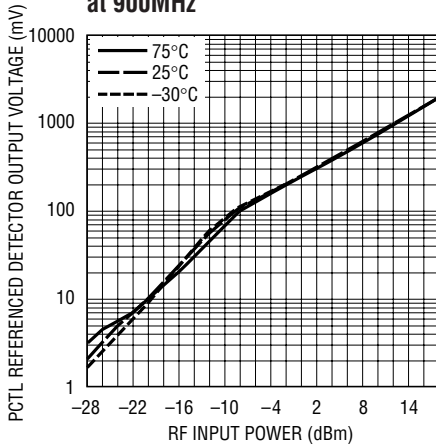
**Note 7:** Includes maximum DAC offset voltage and maximum control voltage.

**Note 8:** Bandwidth is calculated using the 10% to 90% rise time:  
 $\text{BW} = 0.35/\text{rise time}$

**Note 9:** Measured  $12\mu\text{s}$  after  $\overline{\text{SHDN}} = \text{HI}$ .

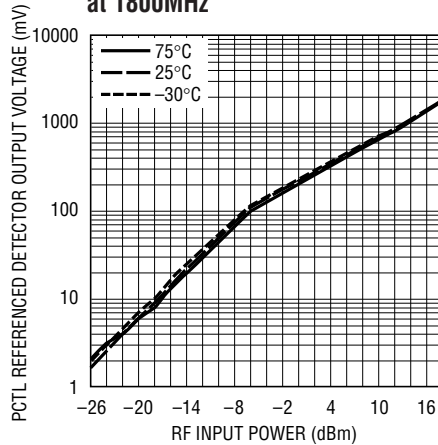
**TYPICAL PERFORMANCE CHARACTERISTICS**

LTC4401-1 Detector Characteristics at 900MHz



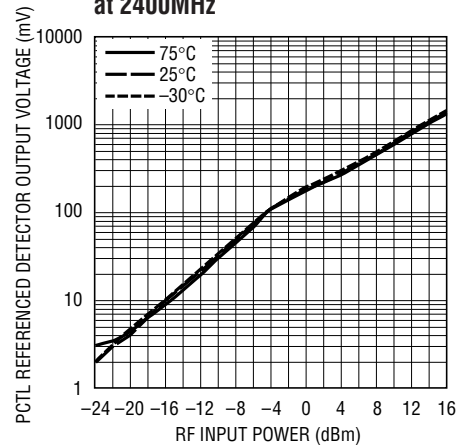
4401 G01

LTC4401-1 Detector Characteristics at 1800MHz



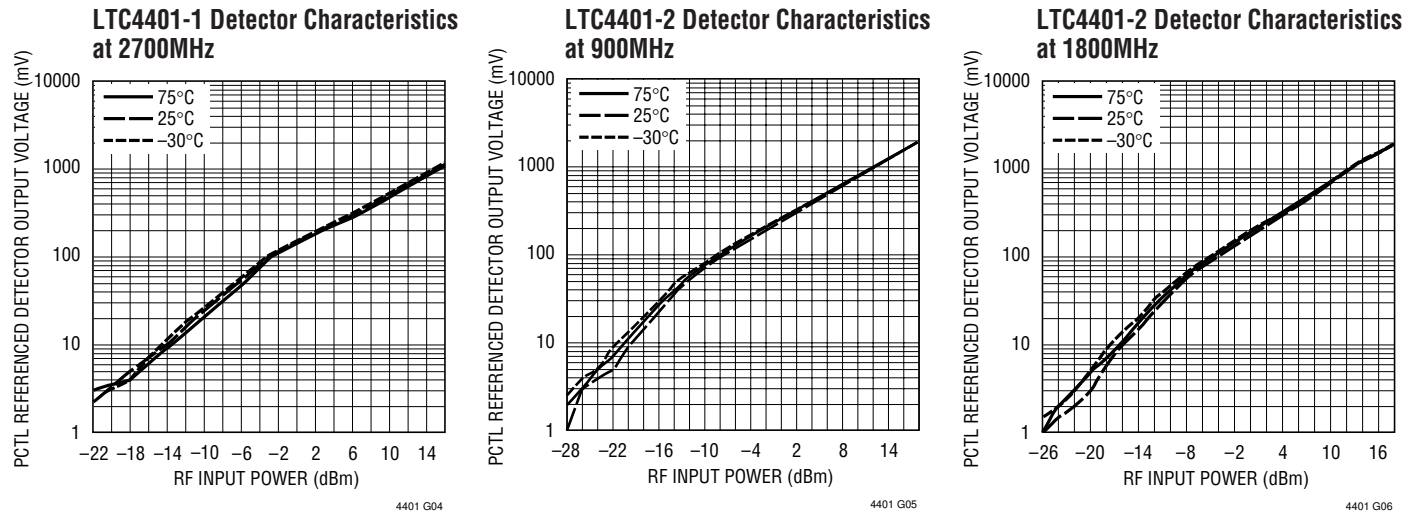
4401 G02

LTC4401-1 Detector Characteristics at 2400MHz



4401 G03

## TYPICAL PERFORMANCE CHARACTERISTICS



## PIN FUNCTIONS (LTC4401-1/LTC4401-2)

**RF (Pins 1/8):** RF Feedback Voltage from the Directional Coupler. Referenced to  $V_{CC}$ . A coupling capacitor of 33pF must be used to connect to the ground referenced directional coupler. The frequency range is 300MHz to 2700MHz for the LTC4401-1 and 300MHz to 2000MHz for the LTC4401-2. This pin has an internal 250 $\Omega$  termination, an internal Schottky diode detector and peak detector capacitor.

**GND (Pins 2/4):** System Ground.

**PCTL (Pins 3/5):** Analog Input. The external power control DAC drives this input. The amplifier servos the RF power until the RF detected signal equals the DAC signal. The input impedance is typically 90k $\Omega$ .

**$V_{PCB}$  (Pin 3): (LTC4401-2 Only)** Power Control Voltage Output. This pin drives an external RF power amplifier power control pin. The maximum load capacitance is 100pF.

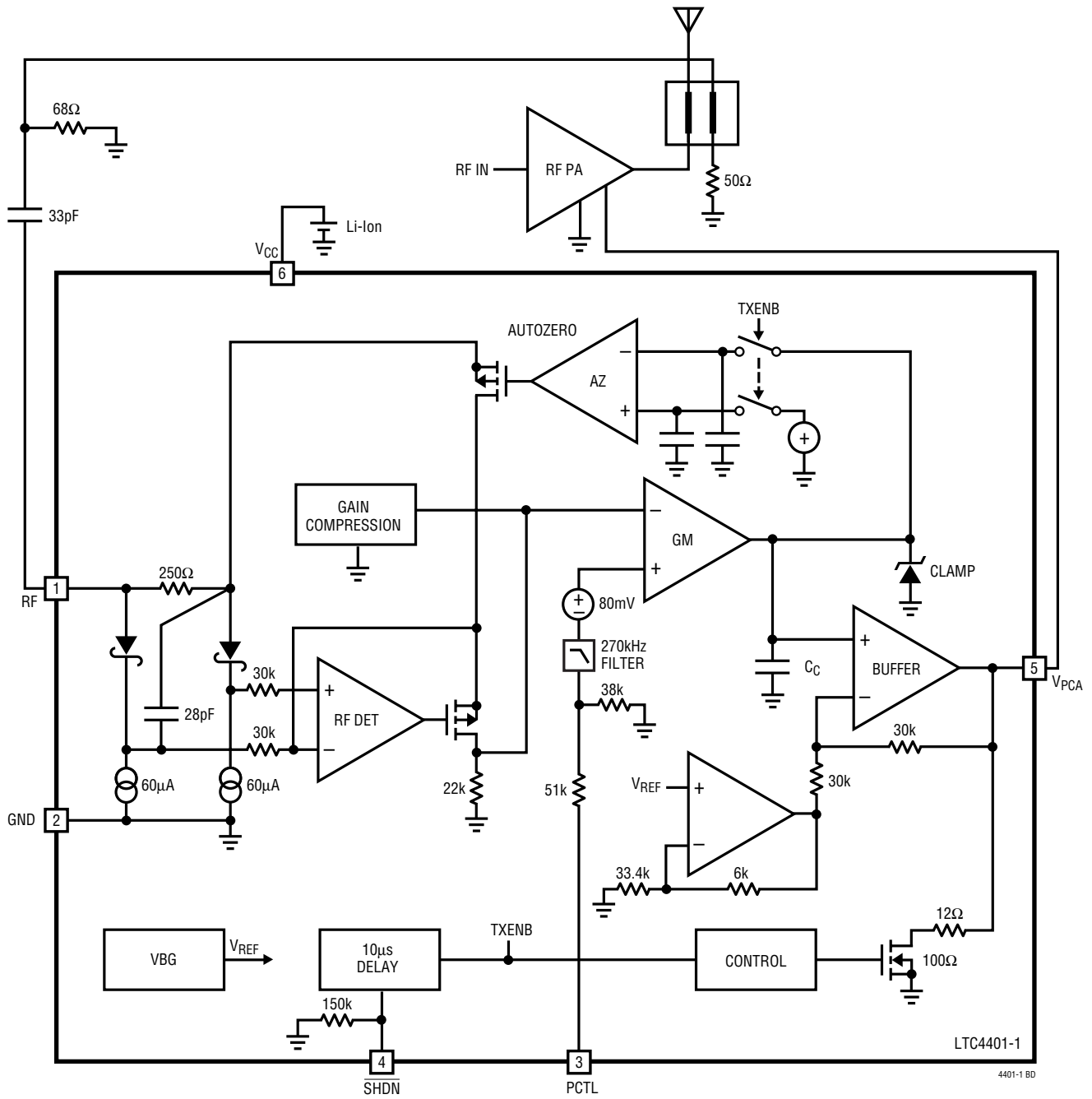
**$\overline{\text{SHDN}}$  (Pins 4/6):** Shutdown Input. A logic low on the  $\overline{\text{SHDN}}$  pin places the part in shutdown mode. A logic high places the part in enable mode.  $\overline{\text{SHDN}}$  has an internal 150k pull-down resistor to ensure that the part is in shutdown when the drivers are in a three-state condition.

**$V_{PCA}$  (Pins 5/2):** Power Control Voltage Output. This pin drives an external RF power amplifier power control pin. The maximum load capacitance is 100pF.

**$V_{CC}$  (Pins 6/1):** Input Supply Voltage, 2.7V to 6V.  $V_{CC}$  should be bypassed with 0.1 $\mu\text{F}$  and 100pF ceramic capacitors. Used as return for RF 250 $\Omega$  termination.

**BSEL (Pin 7): (LTC4401-2 Only)** Selects  $V_{PCA}$  when Low and  $V_{PCB}$  when High. This input has an internal 150k resistor to ground.

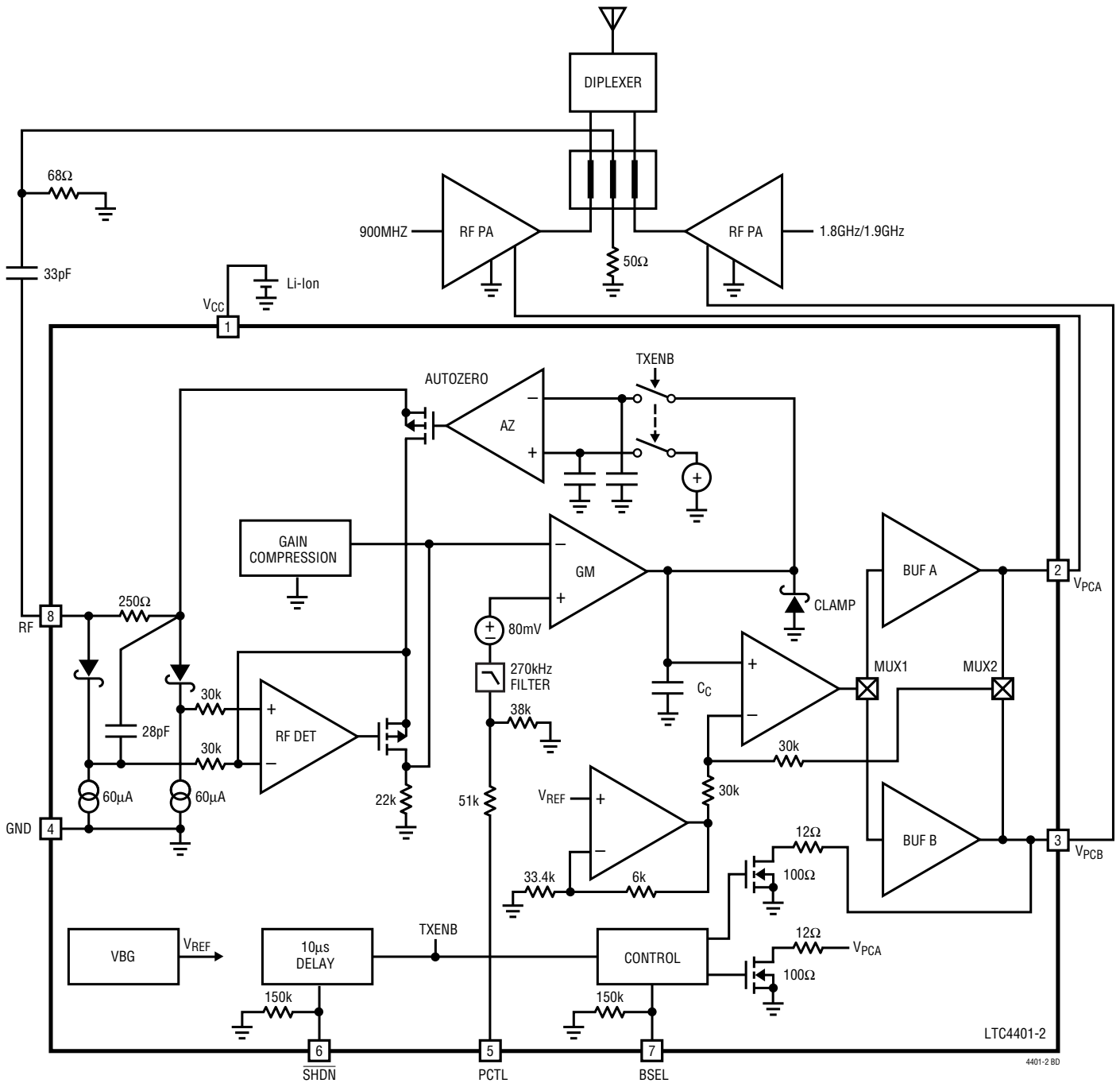
**BLOCK DIAGRAM** (LTC4401-1)



4401-1 BD

# LTC4401-1/LTC4401-2

## BLOCK DIAGRAM (LTC4401-2)



## APPLICATIONS INFORMATION

### Operation

The LTC4401-X RF power control amplifier integrates several functions to provide RF power control over frequencies ranging from 300MHz to 2.7GHz. This product is well suited to control RF power amplifiers that exhibit slow turn-on times. The device also prevents damage to the RF power amplifier due to overvoltage conditions. These functions include an internally compensated power control amplifier to control the RF output power, an autozero section to cancel internal and external voltage offsets, an RF Schottky diode peak detector and amplifier to convert the RF feedback signal to DC, a  $V_{PCA/B}$  overvoltage clamp, compression and a bandgap reference.

### Band Selection

The LTC4401-2 is designed to drive two separate power control lines. The BSEL pin will select  $V_{PCA}$  when low and  $V_{PCB}$  when high. BSEL must be established prior to  $\overline{\text{SHDN}}$  being asserted high.

### Control Amplifier

The control amplifier supplies the power control voltage to the RF power amplifier. A portion (typically  $-19\text{dB}$  for low frequencies and  $-14\text{dB}$  for high frequencies) of the RF output voltage is sampled, via a directional coupler, to close the gain control loop. When a DAC voltage is applied to PCTL, the amplifier quickly servos  $V_{PCA/B}$  positive until the detected feedback voltage applied to the RF pin matches the voltage at PCTL. This feedback loop provides accurate RF power control.  $V_{PCA/B}$  is capable of driving a 6mA load current and 100pF load capacitor.

### Control Amplifier Compression

The gain compression breakpoints are at  $\text{PCTL} = 80\text{mV}$  and  $\text{PCTL} = 160\text{mV}$ . Above 160mV the gain does not change. The compression changes the feedback attenuation thereby reducing the loop gain.

### RF Detector

The internal RF Schottky diode peak detector and amplifier converts the RF feedback voltage from the directional

coupler to a low frequency voltage. This voltage is compared to the DAC voltage at the PCTL pin by the control amplifier to close the RF power control loop. The RF pin input resistance is typically  $250\Omega$  and the frequency range of this pin is 300MHz to 2700MHz for the LTC4401-1 and 300MHz to 2000MHz for the LTC4401-2. The detector demonstrates excellent efficiency over a wide range of input power. The Schottky detector is biased at about  $60\mu\text{A}$  and drives an on-chip peak detector capacitor of 28pF.

### Autozero

An autozero system is included to improve power programming accuracy over temperature. This section cancels internal offsets associated with the Schottky diode detector and control amplifier. External offsets associated with the DAC driving the PCTL pin are also cancelled. Offset drift due to temperature is cancelled between each burst. The maximum offset voltage allowed at the DAC output is limited to 400mV. Autozeroing is performed during a  $10\mu\text{s}$  period after  $\overline{\text{SHDN}}$  is asserted high. An internal timer enables the  $V_{PCA/B}$  output after  $10\mu\text{s}$ . The autozero capacitors are held and the  $V_{PCA/B}$  pin is connected to the control amplifier output. The hold droop voltage of typically  $<1\mu\text{V/ms}$  provides for accurate offset cancellation. The part should be shut down between bursts or after multiple consecutive bursts.

### Filter

There is a 270kHz two pole filter included in the PCTL path to remove DAC noise.

### Protection Features

The RF power amplifier control voltage pin is overvoltage protected. The  $V_{PCA/B}$  overvoltage clamp regulates  $V_{PCA/B}$  to 2.9V when the gain and PCTL input combination attempts to exceed this voltage.

### Modes of Operation

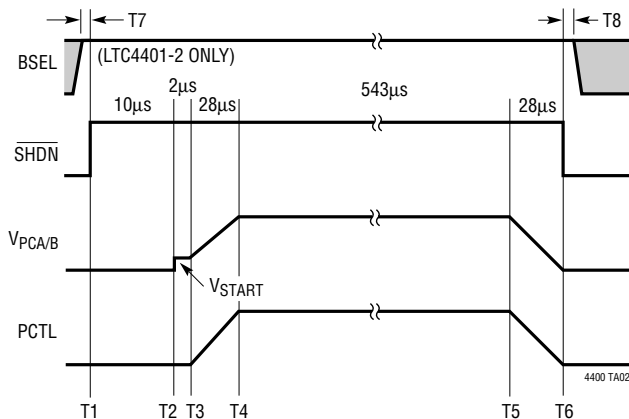
**Shutdown:** The part is in shutdown mode when  $\overline{\text{SHDN}}$  is low.  $V_{PCA/B}$  is held at ground and the power supply current is typically  $10\mu\text{A}$ .



## APPLICATIONS INFORMATION

**Enable:** When  $\overline{\text{SHDN}}$  is asserted high the part will automatically calibrate out all offsets. This takes  $<10\mu\text{s}$  and is controlled by an internal delay circuit. After  $10\mu\text{s}$   $V_{\text{PCA/B}}$  will step up to the starting voltage of  $450\text{mV}$ . The user can then apply the ramp signal. The user should wait  $12\mu\text{s}$  after  $\overline{\text{SHDN}}$  has been asserted high before applying the ramp. The DAC should be settled  $2\mu\text{s}$  after asserting  $\overline{\text{SHDN}}$  high.

LTC4401-X Timing Diagram



- T1: LTC4401-X COMES OUT OF SHUTDOWN  $12\mu\text{s}$  PRIOR TO BURST  
 T2: INTERNAL TIMER COMPLETES AUTOZERO CORRECTION,  $<10\mu\text{s}$   
 T3: BASEBAND CONTROLLER STARTS RF POWER RAMP UP AT  $12\mu\text{s}$  AFTER  $\overline{\text{SHDN}}$  IS ASSERTED HIGH  
 T4: BASEBAND CONTROLLER COMPLETES RAMP UP  
 T5: BASEBAND CONTROLLER STARTS RF POWER RAMP DOWN AT END OF BURST  
 T6: LTC4401-X RETURNS TO SHUTDOWN MODE BETWEEN BURSTS  
 T7: BSEL CHANGE PRIOR TO  $\overline{\text{SHDN}}$ ,  $0\text{ns}$  TYPICAL (LTC4401-2 ONLY)  
 T8: BSEL CHANGE AFTER TO  $\overline{\text{SHDN}}$ ,  $0\text{ns}$  TYPICAL (LTC4401-2 ONLY)

### General Layout Considerations

The LTC4401-X should be placed near the directional coupler. The feedback signal line to the RF pin should be a  $50\Omega$  transmission line with optional termination or a short line.

### External Termination

The LTC4401-X has an internal  $250\Omega$  termination resistor at the RF pin. If a directional coupler is used, it is recommended that an external  $68\Omega$  termination resistor be connected between the RF coupling capacitor ( $33\text{pF}$ ), and ground at the side connected to the directional coupler. Termination components should be placed adjacent to the LTC4401-X.

### Power Ramp Profiles

The external voltage gain associated with the RF channel can vary significantly between RF power amplifier types. The LTC4401-X frequency compensation has been optimized to be stable with several different power amplifiers and manufacturers. This frequency compensation generally defines the loop dynamics that impact the power/time response and possibly (slow loops) the power ramp sidebands. The LTC4401-X operates open loop until an RF voltage appears at the RF pin, at which time the loop closes and the output power follows the DAC profile. The RF power amplifier will require a certain control voltage level (threshold) before an RF output signal is produced. The LTC4401-X  $V_{\text{PCA/B}}$  output(s) must quickly rise to this threshold voltage in order to meet the power/time profile. To reduce this time, the LTC4401-X starts at  $450\text{mV}$ . However, at very low power levels the PCTL input signal is small, and the  $V_{\text{PCA/B}}$  output may take several microseconds to reach the RF power amplifier threshold voltage. To reduce this time, it may be necessary to apply a positive pulse at the start of the ramp to quickly bring the  $V_{\text{PCA/B}}$  output to the threshold voltage. This can generally be achieved with DAC programming. The magnitude of the pulse is dependent on the RF amplifier characteristics.

Power ramp sidebands and power/time are also a factor when ramping to zero power. When the power is ramped down the loop will eventually open at power levels below the LTC4401-X detector threshold. The LTC4401-X will then go open loop and the output voltage at  $V_{\text{PCA/B}}$  will stop falling. If this voltage is high enough to produce RF output power, the power/time or power ramp sidebands may not meet specification. This problem can be avoided by starting the DAC ramp from  $200\text{mV}$  (Figure 1). At the end of the cycle, the DAC can be ramped down to  $0\text{mV}$ . This applies a negative signal to the LTC4401-X thereby ensuring that the  $V_{\text{PCA/B}}$  output will ramp to  $0\text{V}$ . The  $200\text{mV}$  ramp step must be applied  $<2\mu\text{s}$  after  $\overline{\text{SHDN}}$  is asserted high to allow the autozero to cancel the step. Slow DAC rise times will extend this time by the additional RC time constants which may require that the DAC is enabled and settled prior to  $\overline{\text{SHDN}}$  asserted high.

## APPLICATIONS INFORMATION

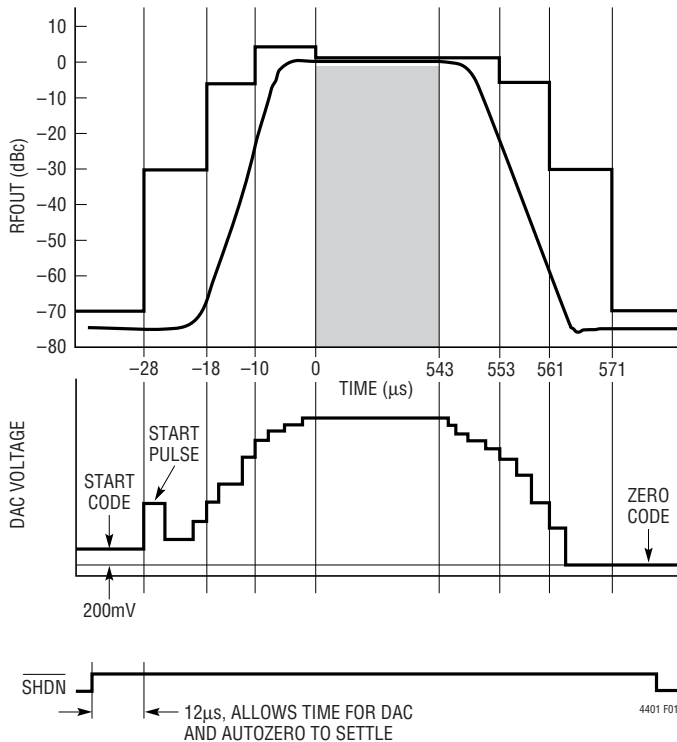


Figure 1. LTC4401-X Ramp Timing

### Demo Board

The LTC4401-X demo board is available upon request. The demo board has a 900MHz and an 1800MHz RF channel controlled by the LTC4401-X. Timing signals for  $\overline{\text{SHDN}}$  are generated on the board using a 13MHz crystal reference. The PCTL power control pin is driven by a 10-bit DAC and the DAC profile can be loaded via a serial port. The serial port data is stored in a flash memory which is capable of storing eight ramp profiles. The board is supplied preloaded with four GSM power profiles and four DCS power profiles covering the entire power range. External timing signals can be used in place of the internal crystal controlled timing. A variety of RF power amplifiers as well as ramp generation software are available.

### LTC4401-X Control Loop Stability

The LTC4401-X provides a stable control loop for several RF power amplifier models from different manufacturers over a wide range of frequencies, output power levels and  $V_{\text{SWR}}$  conditions. However, there are several factors that can improve or degrade loop frequency stability.

1) The additional voltage gain supplied by the RF power amplifier increases the loop gain raising poles normally below the 0dB axis. The extra voltage gain can vary significantly over input/output power ranges, frequency, power supply, temperature and manufacturer. RF power amplifier gain control transfer functions are often not available and must be generated by the user. Loop oscillations are most likely to occur in the midpower range where the external voltage gain associated with the RF power amplifier typically peaks. It is useful to measure the oscillation or ringing frequency to determine whether it corresponds to the expected loop bandwidth and thus is due to high gain bandwidth.

2) Loop voltage losses supplied by the directional coupler will improve phase margin. The larger the directional coupler loss the more stable the loop will become. However, larger losses reduce the RF signal to the LTC4401-X and detector performance may be degraded at low power levels. (See RF Detector Characteristics.)

3) Additional poles within the loop due to filtering or the turn-on response of the RF power amplifier can degrade the phase margin if these pole frequencies are near the effective loop bandwidth frequency. Generally loops using RF power amplifiers with fast turn-on times have more phase margin. Extra filtering below 16MHz should never be placed within the control loop, as this will only degrade phase margin.

4) Control loop instability can also be due to open-loop issues. RF power amplifiers should first be characterized in an open-loop configuration to ensure self oscillation is not present. Self-oscillation is often related to poor power supply decoupling, ground loops, coupling due to poor layout and extreme  $V_{\text{SWR}}$  conditions. The oscillation frequency is generally in the 100kHz to 10MHz range. Power supply related oscillation suppression requires large value ceramic decoupling capacitors placed close to the RF power amp supply pins. The range of decoupling capacitor values is typically 1nF to 3.3 $\mu$ F.

5) Poor layout techniques associated with the directional coupler area may result in high frequency signals bypassing the coupler. This could result in stability problems due to the reduction in the coupler loss.

## APPLICATIONS INFORMATION

### Determining External Loop Gain and Bandwidth

The external loop voltage gain contributed by the RF channel and directional coupler network should be measured in a closed-loop configuration. A voltage step is applied to PCTL and the change in  $V_{PCA/B}$  is measured. The detected voltage is  $K \cdot PCTL$ , where  $K$  is the internal gain between PCTL and the RF pin, and the external voltage gain contributed by the RF power amplifier and directional coupler network is  $K \cdot \Delta V_{PCTL} / \Delta V_{VPC}$ . Measuring voltage gain in the closed-loop configuration accounts for the nonlinear detector gain that is dependent on RF input voltage and frequency.

The LTC4401-X unity gain bandwidth specified in the data sheet assumes that the net voltage gain contributed by the RF power amplifier and directional coupler is unity. The bandwidth is calculated by measuring the rise time between 10% and 90% of the voltage change at  $V_{PCA/B}$  for a small step in voltage applied to PCTL.

$$BW1 = 0.35/\text{rise time}$$

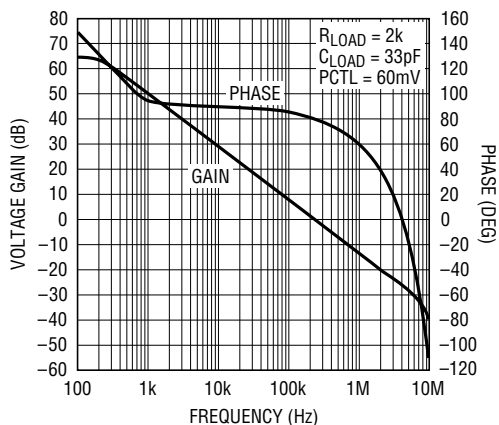
The LTC4401-X control amplifier unity gain bandwidth (BW1) is typically 250kHz below a PCTL voltage of 80mV.

For PCTL voltages  $< 80\text{mV}$ , the RF detected voltage is  $0.6PCTL$ . For PCTL voltages  $> 160\text{mV}$ , RF detected voltage is  $1.22PCTL - 0.1$ . This change in gain is due to an internal compression circuit designed to extend the detector range.

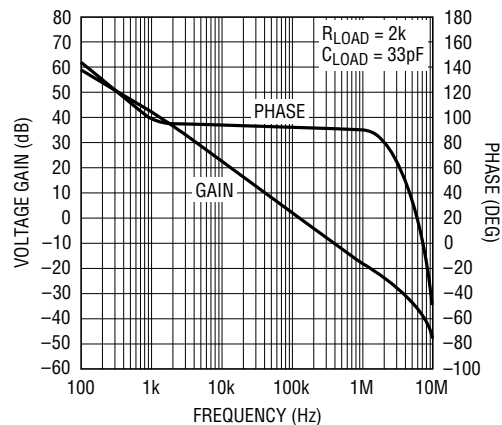
For example, to determine the external RF channel loop voltage gain with the loop closed, apply a 100mV step to

PCTL from 300mV to 400mV.  $V_{PCA/B}$  will increase to supply enough feedback voltage to the RF pin to cancel this 100mV step which would be the required detected voltage step of 122mV.  $V_{PCA/B}$  changed from 1.5V to 1.561V to create the RF output power change required. The net external voltage gain contributed by the RF power amplifier and directional coupler network can be calculated by dividing the 122mV change at the RF pin by the 61mV change at the  $V_{PCA/B}$  pin. The net external voltage gain would then be approximately 2. The loop bandwidth extends to  $2 \cdot BW1$ . If BW1 is 130kHz, the loop bandwidth increases to approximately 260kHz. The phase margin can be determined from Figures 2 and 3. Repeat the above voltage gain measurement over the full power and frequency range.

External pole frequencies within the loop will further reduce phase margin. The phase margin degradation, due to external and internal pole combinations, is difficult to determine since complex poles are present. Gain peaking may occur, resulting in higher bandwidth and lower phase margin than predicted from the open-loop Bode plot. A low frequency AC SPICE model of the LTC4401-X power controller is included to better determine pole and zero interactions. The user can apply external gains and poles to determine bandwidth and phase margin. DC, transient and RF information cannot be extracted from the present model. The model is suitable for external gain evaluations up to  $6\times$ . The 270kHz PCTL input filter limits the bandwidth, therefore, use the RF input as demonstrated in the model. Gain compression is not modeled.



4401 F02



4401 F03

Figure 2. Measured Open-Loop Gain and Phase, PCTL  $< 80\text{mV}$

Figure 3. Measured Open-Loop Gain and Phase, PCTL  $> 160\text{mV}$

4401fa

## APPLICATIONS INFORMATION

This model (Figure 6) is being supplied to LTC users as an aid to circuit designs. While the model reflects reasonably close similarity to corresponding devices in low frequency AC performance terms, its use is not suggested as a replacement for breadboarding. Simulation should be used as a forerunner or a supplement to traditional lab testing.

Users should note very carefully the following factors regarding this model: Model performance in general will reflect typical baseline specs for a given device, and certain aspects of performance may not be modeled fully. While reasonable care has been taken in the preparation, we cannot be responsible for correct application on any and all computer systems. Model users are hereby notified that these models are supplied “as is”, with no direct or implied responsibility on the part of LTC for their operation within a customer circuit or system. Further, Linear Technology Corporation reserves the right to change these models without prior notice.

In all cases, the current data sheet information is your final design guideline, and is the only performance guarantee. For further technical information, refer to individual device data sheets. Your feedback and suggestions on this model is appreciated.

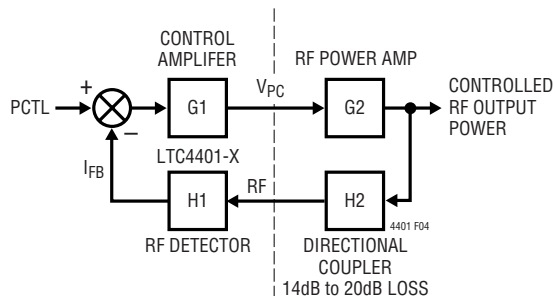


Figure 4. Closed-Loop Block Diagram

Linear Technology Corporation hereby grants the users of this model a nonexclusive, nontransferable license to use this model under the following conditions:

The user agrees that this model is licensed from Linear Technology and agrees that the model may be used, loaned, given away or included in other model libraries as long as this notice and the model in its entirety and unchanged is included. No right to make derivative works or modifications to the model is granted hereby. All such rights are reserved.

This model is provided as is. Linear Technology makes no warranty, either expressed or implied about the suitability or fitness of this model for any particular purpose. In no event will Linear Technology be liable for special, collateral, incidental or consequential damages in connection with or arising out of the use of this model. It should be remembered that models are a simplification of the actual circuit.

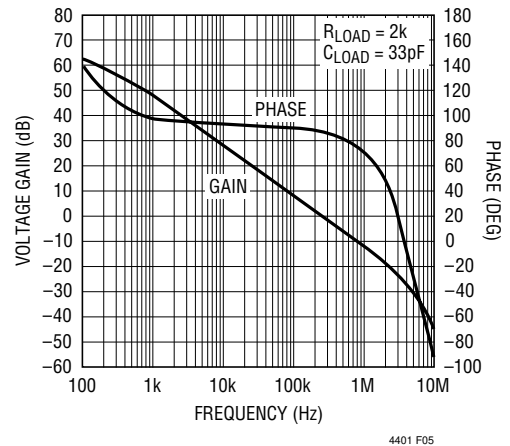


Figure 5. SPICE Model Open-Loop Gain and Phase Characteristics from RF to  $V_{PCA}$ ,  $P_{CTL} < 80mV$

## APPLICATIONS INFORMATION

\*LTC4401-X Low Frequency AC Spice Model\*

\*July 11, 2001

\*Main Network Description

GGIN1 ND3 0 ND2 IFB 86E-6

GGXFB IFB 0 0 ND12 33E-6

GGX5 ND11 0 0 ND10 1E-6

GGX6 ND12 0 0 ND11 1E-6

GGX1 ND4 0 0 ND3 1E-6

GGX2 ND6 0 0 ND4 1E-6

GGX3 ND7 0 0 ND6 1E-6

GGX4 ND8 0 0 ND7 1E-6

EEX1 ND9 0 0 ND8 2

CCC1 ND3 0 75E-12

CCPCTL2 ND2 0 7E-12

CCPCTL1 ND1 0 13E-12

CCLINT VPCA 0 5E-12

CCLOAD VPCA 0 33E-12

CCFB1 IFB 0 2.4E-12

CCX5 ND11 0 16E-15

CCX6 ND12 0 1.2E-15

CCP ND10 0 28E-12

CCX2 ND6 0 8E-15

CCX3 ND7 0 32E-15

LLX1 ND5 0 65E-3

RR01 ND3 0 20E6

RRFILT ND2 ND1 44E3

RRPCTL1 PCTL ND1 51E3

RRPCTL2 ND1 0 38E3

RR9 VPCA ND9 50

RRLOAD VPCA 0 2E3

RRFB1 IFB 0 22E3

RRT RF 0 250

RRX5 ND11 0 1E6

RRX6 ND12 0 1E6

RRSDRF ND10 500

RRX1 ND4 ND5 1E6

RRX2 ND6 0 1E6

RRX3 ND7 0 1E6

RRX4 ND8 0 1E6

\*\*Closed-loop feedback, comment-out VPCTLO, VRF, Adjust EFB gain to reflect external gain, currently set at 3X\*\*

\*EFB RF 0 VPCA VIN 3

\*VIN VIN 0 DC 0 AC 1

\*VPCTLO PCTL 0 DC 0

\*\*Open-loop connections, comment-out EFB, VIN and VPCTLO\*\*\*\*\*

VPCTLO PCTL 0 DC 0

VRF RF 0 DC 0 AC 1

\*\*\*\*\*Add AC statement and print statement as required\*\*\*

.AC DEC 50 100 1E7

\*\*\*\*\*for PSPICE only\*\*\*\*\*

.OP

.PROBE

\*\*\*\*\*

.END

Figure 6. LTC4401-X Low Frequency AC SPICE Model

APPLICATIONS INFORMATION

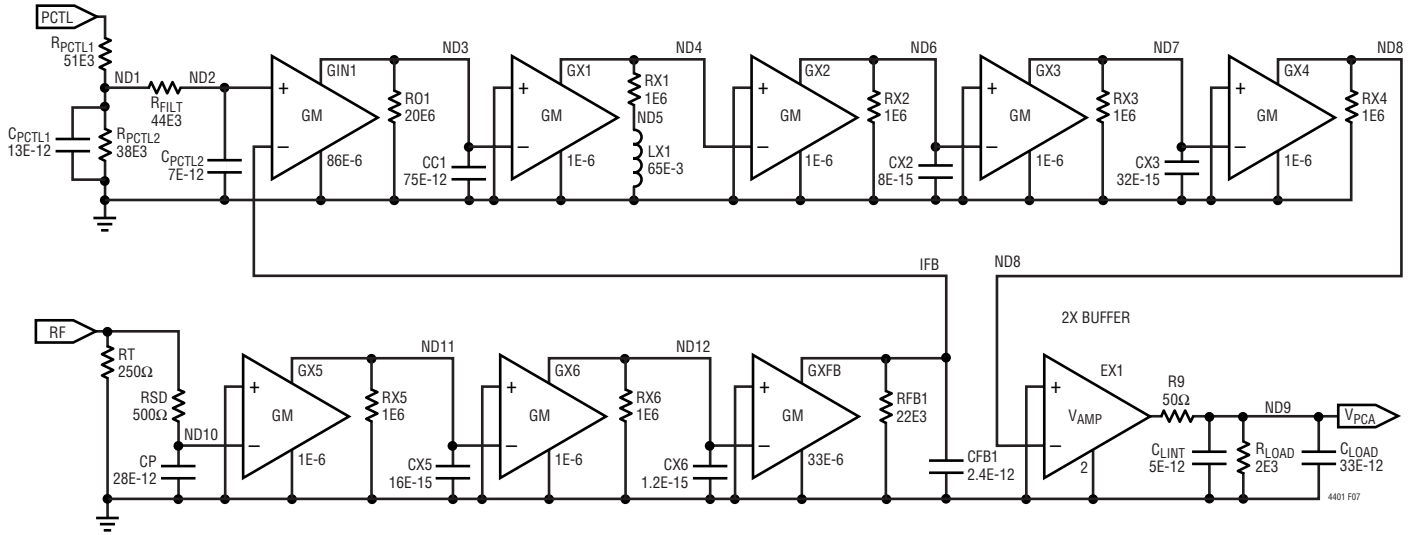
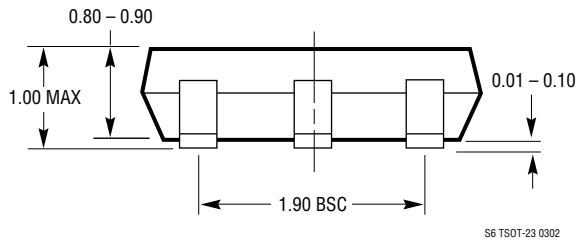
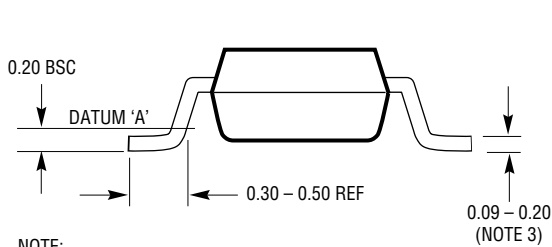
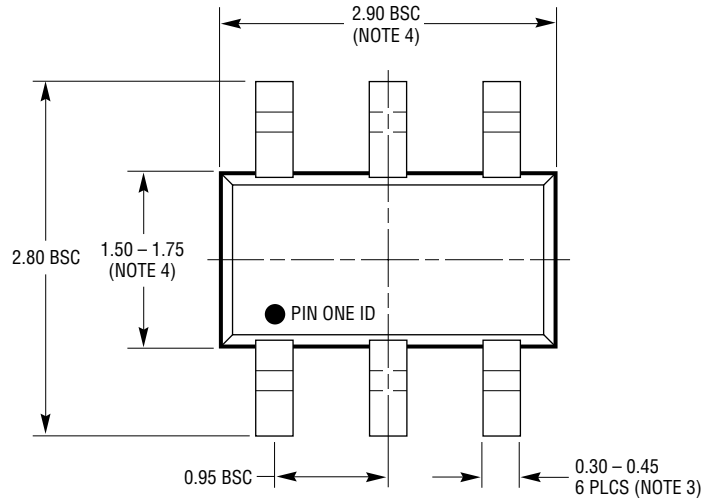
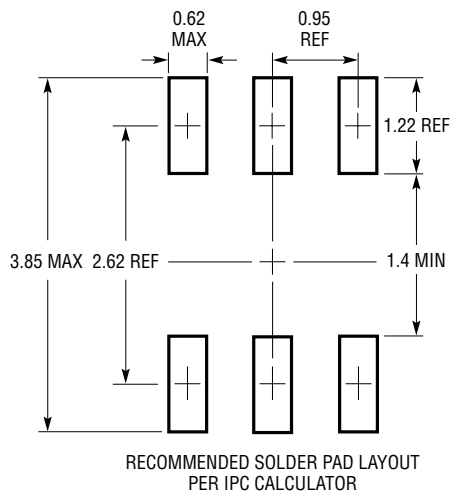


Figure 7. LTC4401-X Low Frequency AC Model

**PACKAGE DESCRIPTION**

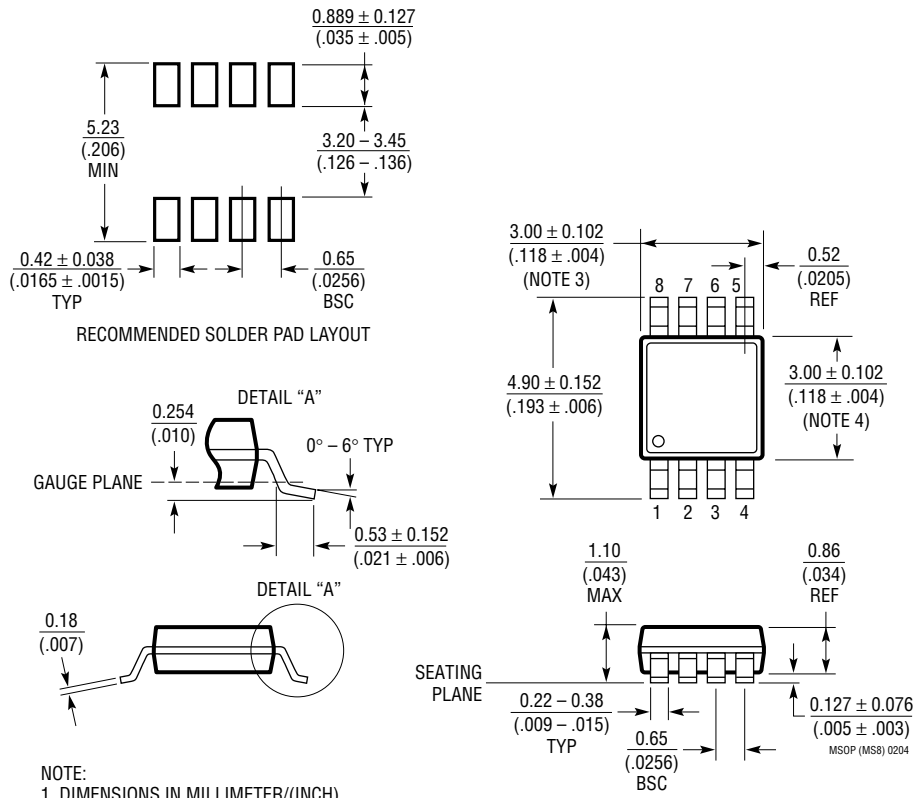
**S6 Package**  
**6-Lead Plastic TSOT-23**  
 (Reference LTC DWG # 05-08-1636)



- NOTE:
1. DIMENSIONS ARE IN MILLIMETERS
  2. DRAWING NOT TO SCALE
  3. DIMENSIONS ARE INCLUSIVE OF PLATING
  4. DIMENSIONS ARE EXCLUSIVE OF MOLD FLASH AND METAL BURR
  5. MOLD FLASH SHALL NOT EXCEED 0.254mm
  6. JEDEC PACKAGE REFERENCE IS MO-193

# PACKAGE DESCRIPTION

**MS8 Package**  
**8-Lead Plastic MSOP**  
 (Reference LTC DWG # 05-08-1660)



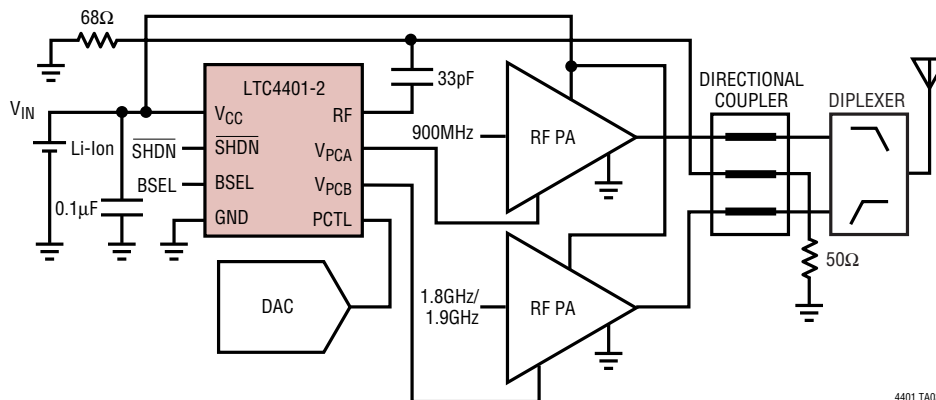
**NOTE:**

1. DIMENSIONS IN MILLIMETER/(INCH)
2. DRAWING NOT TO SCALE
3. DIMENSION DOES NOT INCLUDE MOLD FLASH, PROTRUSIONS OR GATE BURRS.  
MOLD FLASH, PROTRUSIONS OR GATE BURRS SHALL NOT EXCEED 0.152mm (.006") PER SIDE
4. DIMENSION DOES NOT INCLUDE INTERLEAD FLASH OR PROTRUSIONS.  
INTERLEAD FLASH OR PROTRUSIONS SHALL NOT EXCEED 0.152mm (.006") PER SIDE
5. LEAD COPLANARITY (BOTTOM OF LEADS AFTER FORMING) SHALL BE 0.102mm (.004") MAX



## TYPICAL APPLICATION

### LTC4401-2 Dual Band Cellular Telephone Transmitter



4401 TA03

## RELATED PARTS

| PART NUMBER          | DESCRIPTION                             | COMMENTS  |
|----------------------|---|---|
| LTC1503              | Inductorless Step-Down DC/DC Converter  | 600kHz, Up to 100mA, 25% Higher Efficiency Than Linear Regulator                          |
| LTC1555L-1.8         | SIM Power Supply and Level Translator   | Generates 1.8V, 3V or 5V; >10kV ESD on All SIM Contact Pins                               |
| LT <sup>®</sup> 1615 | Step-Up DC/DC Converter                 | ThinSOT, Low 20μA Quiescent Current, V <sub>IN</sub> as Low as 1V, 300mA I <sub>OUT</sub> |
| LT1617               | Inverting DC/DC Converter               | ThinSOT, Low 20μA Quiescent Current, V <sub>IN</sub> as Low as 1V, 300mA I <sub>OUT</sub> |
| LTC1682              | Low Noise Charge Pump with LDO          | 60μV <sub>RMS</sub> Output Noise, Small MSOP Package                                      |
| LTC1734              | SOT-23 Li-Ion Battery Charger           | Up to 700mA Charge Current, Only Two External Components                                  |
| LT1761               | Low Dropout, Low Noise Linear Regulator | ThinSOT, 300mV Dropout at 100mA, 20μV <sub>RMS</sub> Output Noise (10Hz to 100kHz)        |
| LTC1878              | Step-Down DC/DC Converter               | Integrated Synchronous Operation, Up to 95% Efficiency, 1A Switch Current.                |
| LTC1911              | Low Noise, Inductorless Buck Controller | 2.7V ≤ V <sub>IN</sub> ≤ 5.5V, I <sub>OUT</sub> ≤ 250mA, 1.5MHz, 8-Pin MSOP               |
| LTC1928              | Low Noise Charge Pump                   | ThinSOT, 90μV <sub>RMS</sub> Output Noise (100kHz BW), I <sub>OUT</sub> Up to 30mA        |
| LT1932               | White LED Driver                        | ThinSOT, 1.2MHz DC/DC Constant-Current LED Driver, Dimming Control                        |
| LT1944               | Step-Up DC/DC Converter                 | Dual Output for LCD Bias, Low Quiescent Current of 20μA, 1.2V ≤ V <sub>IN</sub> ≤ 15V     |
| LTC1986              | SIM Power Supply                        | ThinSOT, 3V and 5V, Ultralow Supply Current of 14μA, <0.92cm <sup>2</sup> PCB             |
| LTC3200              | Low Noise Charge Pump                   | 2MHz Switching Frequency Allows Small Size Capacitors, I <sub>OUT</sub> Up to 100mA       |
| LTC3202              | Charge Pump for White LED               | 2.5% Less Input Current than Doubler Charge Pump, I <sub>OUT</sub> ≤ 125mA                |
| LTC3401              | Step-Up DC/DC Converter                 | Synchronous Rectification, Up to 97% Efficiency, 1A Switch Current, 3MHz                  |
| LTC3402              | Step-Up DC/DC Converter                 | Synchronous Rectification, Up to 97% Efficiency, 2A Switch Current, 3MHz                  |
| LTC3404              | Step-Down DC/DC Converter               | 1.4MHz Synchronous Rectification, 10μA Quiescent Current                                  |
| LTC3405              | 1.5MHz, 250mA ThinSOT Buck Converter    | Up to 96% Efficiency, 2.5V ≤ V <sub>IN</sub> ≤ 5.5V, No Schottky Diode                    |
| LTC4400              | RF Power Controller in ThinSOT          | 450kHz Loop BW and 45dB Dynamic Range   |
| LTC5505              | RF Power Detector in ThinSOT            | >40dB Dynamic Range, 300MHz to 3GHz, Buffered Detector Output                             |

4401fa