



Chipsmall Limited consists of a professional team with an average of over 10 year of expertise in the distribution of electronic components. Based in Hongkong, we have already established firm and mutual-benefit business relationships with customers from,Europe,America and south Asia,supplying obsolete and hard-to-find components to meet their specific needs.

With the principle of “Quality Parts,Customers Priority,Honest Operation,and Considerate Service”,our business mainly focus on the distribution of electronic components. Line cards we deal with include Microchip,ALPS,ROHM,Xilinx,Pulse,ON,Everlight and Freescale. Main products comprise IC,Modules,Potentiometer,IC Socket,Relay,Connector.Our parts cover such applications as commercial,industrial, and automotives areas.

We are looking forward to setting up business relationship with you and hope to provide you with the best service and solution. Let us make a better world for our industry!



Contact us

Tel: +86-755-8981 8866 Fax: +86-755-8427 6832

Email & Skype: info@chipsmall.com Web: www.chipsmall.com

Address: A1208, Overseas Decoration Building, #122 Zhenhua RD., Futian, Shenzhen, China





LITE-ON TECHNOLOGY CORPORATION

Property of Lite-On Only

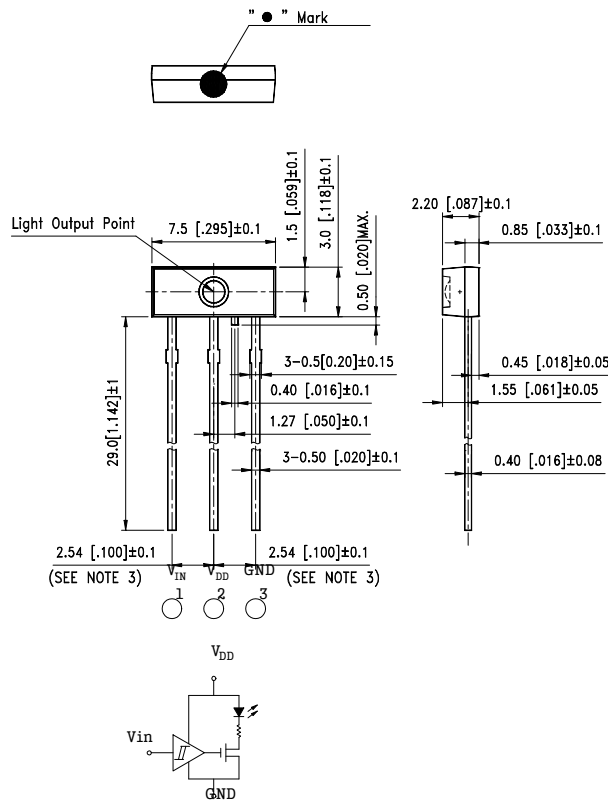
FEATURES

- * TTL INTERFACE COMPATIBLE
- * HIGH SPEED OPTIC SIGNAL TRANSMISSION
- * BUILT-IN LED DRIVER
- * LOW POWER CONSUMPTION

* V_{DD}	V_{in}	LED	V_{DD}	V_{in}	LED
2.7V ~ 5.25V	HIGH	ON	FLOATING	HIGH	OFF
2.7V ~ 5.25V	LOW	OFF	FLOATING	LOW	OFF
2.7V ~ 5.25V	FLOATING	OFF			

- * WATER CLEAR EPOXY COMPOUND PACKAGED.

PACKAGE DIMENSIONS



NOTES:

1. All dimensions are in millimeters (inches).
2. Tolerance is $\pm 0.1\text{mm} (.004\text{'})$ unless otherwise noted.
3. Lead spacing is measured where the leads emerge from the package.
4. Mark color: Black.



LITE-ON TECHNOLOGY CORPORATION

Property of Lite-On Only

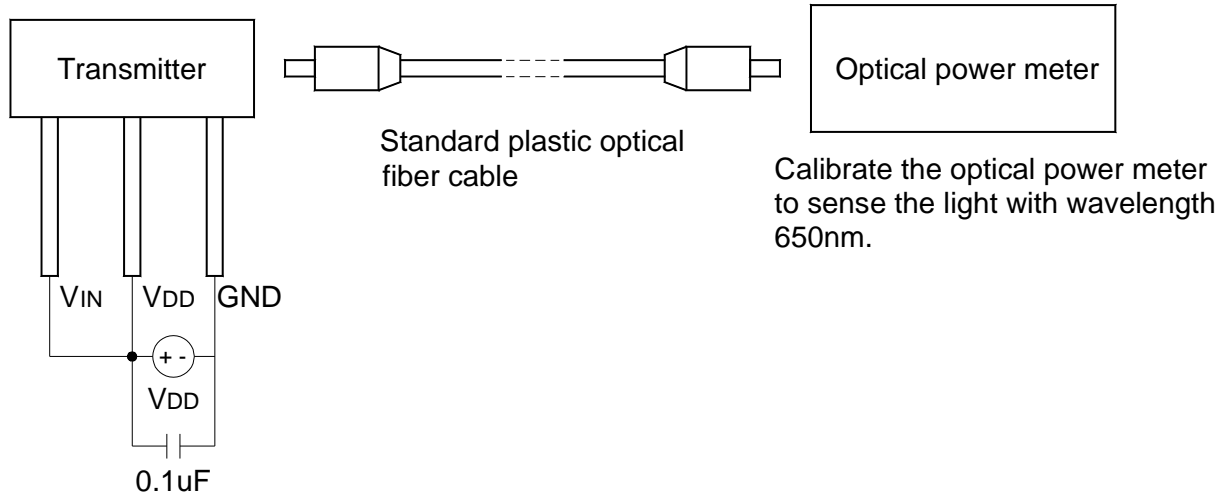
ABSOLUTE MAXIMUM RATINGS AT TA=25°C

PARAMETER	MAXIMUM RATING	UNIT
Supply Voltage (V _{DD})	-0.5 ~ +7	V
Input Voltage (V _{IN})	-0.5 ~ V _{DD} +0.5	V
Power Dissipation (P)	120	mW
Operating Temperature Range	-25 °C to + 70 °C	
Storage Temperature Range	-40 °C to + 70 °C	
Lead Soldering Temperature [1.6mm(.063") From Body]	260°C ≤ 5 Seconds	

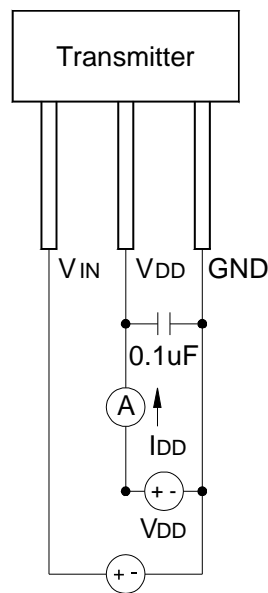
ELECTRICAL OPTICAL CHARACTERISTICS AT TA=25°C

PARAMETER	SYMBOL	MIN.	TYP.	MAX.	UNIT	TEST CONDITION
Transmission Speed	T _s	—	—	16	Mbps	NRZ signal
Operating Voltage	V _{DD}	2.75	—	5.25	V	
Peak Emission Wavelength	λ _{Peak}	630	650	690	nm	
Fiber coupling light output	P _c	-21	-17	-15	dBm	*1
Dissipation current	I _{DD}	—	5	11	mA	*2
High level input voltage	V _{IH}	2	—	—	V	
Low level input voltage	V _{IL}	—	—	0.8	V	
“Low→High”propagation delay time	t _{PLH}	—	—	100	ns	*3
“High→Low”propagation delay time	t _{PHL}	—	—	100	ns	
Pulse width distortion	Δ t _w	-20	—	20	ns	
Jitter	Δ t _j	—	—	10	ns	

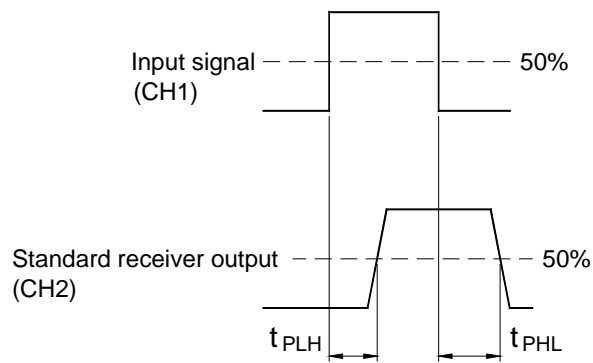
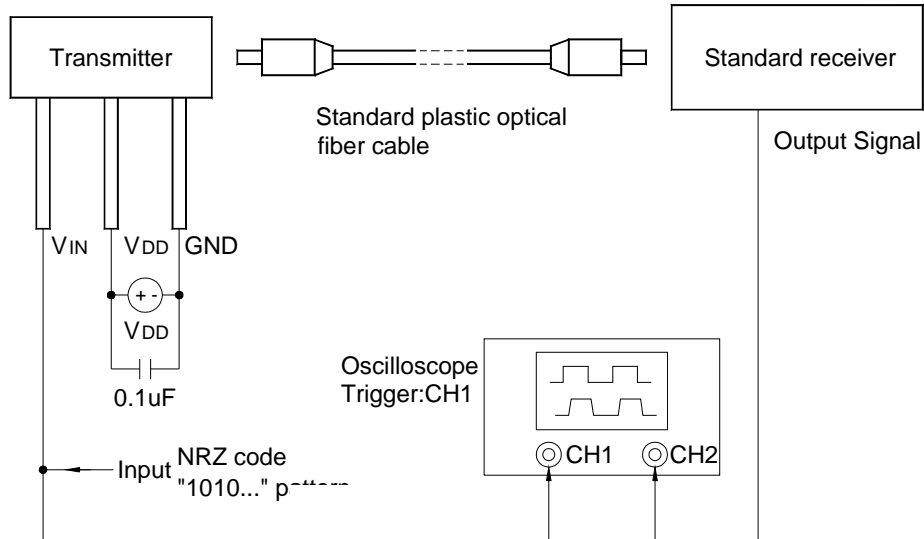
***1 Measuring method of optical output coupling power**



***2 Power dissipation measuring method**



***3 Measuring pulse response**



Pulse width distortion $\Delta tw = t_{PHL} - t_{PLH}$

Note

- (1) NRZ code: 16MHz
- (2) The impedance of the probe for the oscilloscope must be more than 1MΩ and less than 10pf.