



Chipsmall Limited consists of a professional team with an average of over 10 year of expertise in the distribution of electronic components. Based in Hongkong, we have already established firm and mutual-benefit business relationships with customers from,Europe,America and south Asia,supplying obsolete and hard-to-find components to meet their specific needs.

With the principle of “Quality Parts,Customers Priority,Honest Operation,and Considerate Service”,our business mainly focus on the distribution of electronic components. Line cards we deal with include Microchip,ALPS,ROHM,Xilinx,Pulse,ON,Everlight and Freescale. Main products comprise IC,Modules,Potentiometer,IC Socket,Relay,Connector.Our parts cover such applications as commercial,industrial, and automotives areas.

We are looking forward to setting up business relationship with you and hope to provide you with the best service and solution. Let us make a better world for our industry!



Contact us

Tel: +86-755-8981 8866 Fax: +86-755-8427 6832

Email & Skype: info@chipsmall.com Web: www.chipsmall.com

Address: A1208, Overseas Decoration Building, #122 Zhenhua RD., Futian, Shenzhen, China

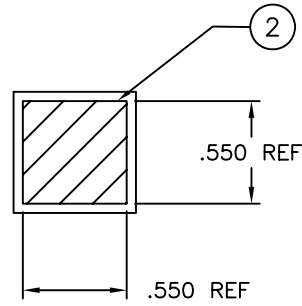
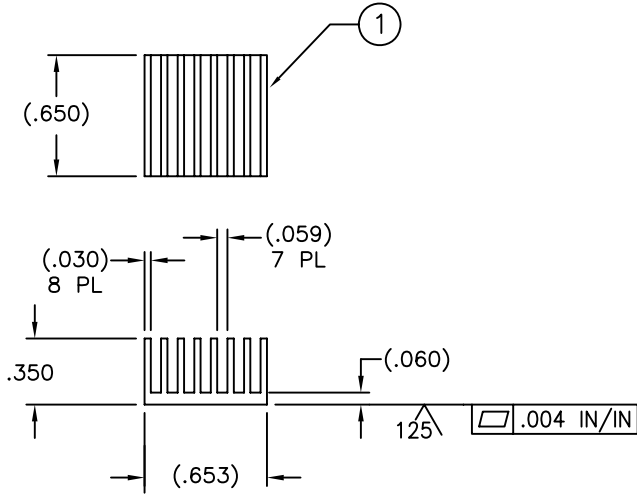


2

1

REVISIONS

REV	EC#	DESCRIPTION	DATE	APPROVED
A	3911	RELEASED PER EC	3/12/02	DB
B	3916	REVISED PER EC	3/14/02	DB



NOTES:

- 1. (XXX) INDICATES A KEY PRODUCT CHARACTERISTIC (KPC) DIMENSION.

1	WAKEFIELD 16457 HEATSINK
2	CHOMERICS T411 INTERFACE

ALL INFORMATION DISCLOSED BY THIS DOCUMENT IS CONSIDERED CONFIDENTIAL AND PROPRIETARY BY WAKEFIELD ENGINEERING INC.
 ALL DESIGN, MANUFACTURE, USE, REPRODUCTION AND SALE RIGHTS ARE RESERVED BY WAKEFIELD ENGINEERING INC.

UNLESS OTHERWISE SPECIFIED, DIMENSIONS ARE IN INCHES.

TOLERANCES

DECIMALS: .XX±.02
 .XXX±.005
 ANGLES: ±0.5°
 DO NOT SCALE DRAWING

FILE NAME:
 R:\RELDWGS

APPROVALS	DATE:
DRAWN: G. DASILVA	3/12/02
CHK.	



33 BRIDGE ST.
 PELHAM, NH
 TEL. (603) 635-2800
 FAX. (603) 635-1900

TITLE:
 ASSEMBLY
 DRAWING

MATERIAL:
 6063-T5 ALUM

DESIGN/APP ENG: D. BELLEROSE	3/12/02
---------------------------------	---------

FINISH:
 BLACK ANODIZE

MFG ENG:	
----------	--

DRAWING SIZE	CAGE CODE	DRAWING NO.	REV.
A	92678	LTN20069	B

EXTRUSION USED:
 16457

QA:	
-----	--

SCALE: 1:1 SHEET 1 OF 1

2

1