



Chipsmall Limited consists of a professional team with an average of over 10 year of expertise in the distribution of electronic components. Based in Hongkong, we have already established firm and mutual-benefit business relationships with customers from,Europe,America and south Asia,supplying obsolete and hard-to-find components to meet their specific needs.

With the principle of “Quality Parts,Customers Priority,Honest Operation,and Considerate Service”,our business mainly focus on the distribution of electronic components. Line cards we deal with include Microchip,ALPS,ROHM,Xilinx,Pulse,ON,Everlight and Freescale. Main products comprise IC,Modules,Potentiometer,IC Socket,Relay,Connector.Our parts cover such applications as commercial,industrial, and automotives areas.

We are looking forward to setting up business relationship with you and hope to provide you with the best service and solution. Let us make a better world for our industry!



Contact us

Tel: +86-755-8981 8866 Fax: +86-755-8427 6832

Email & Skype: info@chipsmall.com Web: www.chipsmall.com

Address: A1208, Overseas Decoration Building, #122 Zhenhua RD., Futian, Shenzhen, China



Specification Status: Released

Electrical Rating

Voltage: 15V MAX
Current: 100A MAX

Chip Size: 5 X 7 mm

Leads: Ni-plated Stainless steel
0.15 mm Nominal Thickness

Solder: Lead-free

Tape: Polyester (Yellow)
8mm nominal width

Marking: (Color: Green)
Manufacturer's Mark

✕ L07 — Part Identification

□ □ □ □ — Lot Identification

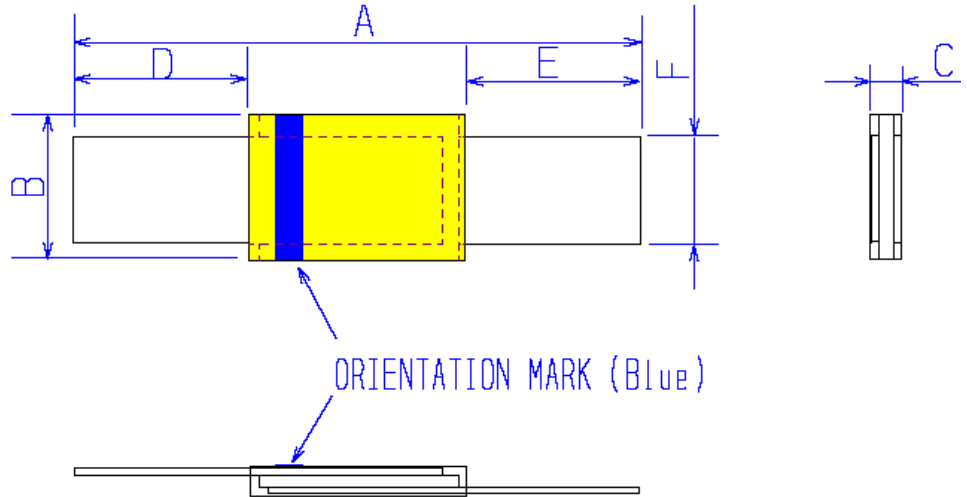


TABLE I. DIMENSIONS:

	A		B		C		D		E		F	
	MIN	MAX	MIN	MAX	MIN	MAX	MIN	MAX	MIN	MAX	MIN	MAX
mm:	19.9	22.1	4.9	5.2	0.7	1.2	5.5	7.5	5.5	7.5	3.9	4.1
in*:	(0.783)	(0.870)	(0.192)	(0.205)	(0.027)	(0.048)	(0.216)	(0.296)	(0.216)	(0.296)	(0.153)	(0.162)

*Rounded off approximation

TABLE II. PERFORMANCE RATINGS: As measured in Mueller Kelvin Clips model BU-75K.

I HOLD	CURRENT TRIP LIMITS								TIME TO TRIP	REFERENCE RESISTANCE	ONE-HOUR POST-TRIP RESISTANCE	TRIPPED-STATE POWER DISSIPATION				
	AMPS 20°C HOLD		AMPS AT 0°C		AMPS AT 20°C		AMPS AT 60°C						AMPS AT 80°C		OHMS AT 20°C	
	HOLD	TRIP	HOLD	TRIP	HOLD	TRIP	HOLD	TRIP	HOLD	TRIP	MIN	MAX	TYP	MAX	TYP	MAX
0.7	0.85	1.80	0.70	1.45	0.35	0.75	0.22	0.45	2	5	0.10	0.20	0.23	0.34	0.7	1.0

Agency Recognitions:
Reference Documents:
Precedence:
Effectivity:
CAUTION:
Materials Information:

UL, CSA, TUV
PS300
This specification takes precedence over documents referenced herein.
Reference documents shall be the issue in effect on the date of invitation for bid.
Operation beyond the rated voltage or current may result in rupture, electrical arcing or flame.

ROHS Compliant

Directive 2002/95/EC
Compliant

ELV Compliant

Directive 2000/53/EC
Compliant

Pb-Free

