



Chipsmall Limited consists of a professional team with an average of over 10 year of expertise in the distribution of electronic components. Based in Hongkong, we have already established firm and mutual-benefit business relationships with customers from,Europe,America and south Asia,supplying obsolete and hard-to-find components to meet their specific needs.

With the principle of “Quality Parts,Customers Priority,Honest Operation,and Considerate Service”,our business mainly focus on the distribution of electronic components. Line cards we deal with include Microchip,ALPS,ROHM,Xilinx,Pulse,ON,Everlight and Freescale. Main products comprise IC,Modules,Potentiometer,IC Socket,Relay,Connector.Our parts cover such applications as commercial,industrial, and automotives areas.

We are looking forward to setting up business relationship with you and hope to provide you with the best service and solution. Let us make a better world for our industry!



Contact us

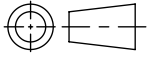
Tel: +86-755-8981 8866 Fax: +86-755-8427 6832

Email & Skype: info@chipsmall.com Web: www.chipsmall.com

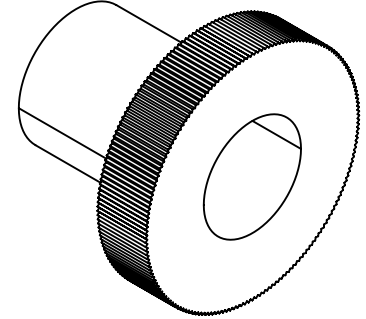
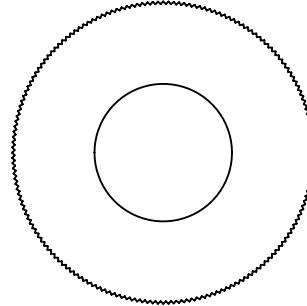
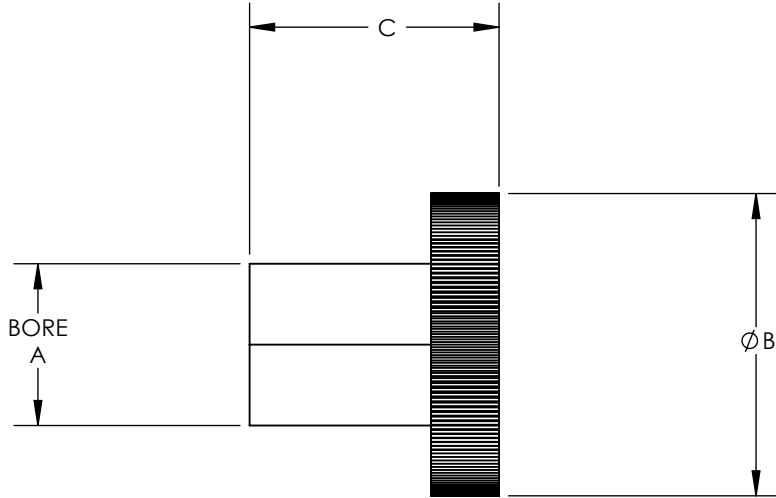
Address: A1208, Overseas Decoration Building, #122 Zhenhua RD., Futian, Shenzhen, China



SW2014



| Revision level | | | Revision Record | Changed | Date | Approved | Date |
|----------------|----------------|------|-----------------|---------|------------|----------|------------|
| Drawing | State | Part | | | | | |
| 00.0 | Design Release | | SEE ECN# 013630 | GRW | 11/28/2016 | KAC | 11/28/2016 |



| To Fit Conduit Size Ø | HellermannTyton Part Number | Manufacturer Reference Number | Through Bore Ø | | Dimension | | | | | |
|-----------------------|-----------------------------|-------------------------------|----------------|------|-----------|------|------|------|------|------|
| | | | A | | B | | C | | D | |
| | | | in. | mm | in. | mm | in. | mm | in. | mm |
| Ø10 | LTP10-E | LTP10-E | 0.22 | 5.6 | 0.14 | 3.6 | 0.50 | 12.7 | 0.54 | 13.8 |
| Ø12 | LTP12-E | LTP12-E | 0.34 | 8.6 | 0.14 | 3.6 | 0.50 | 12.7 | 0.63 | 16.1 |
| Ø16 | LTP16-E | LTP16-E | 0.42 | 10.7 | 0.18 | 4.5 | 0.47 | 12.0 | 0.79 | 20.0 |
| Ø20 | LTP20-E | LTP20-E | 0.57 | 14.5 | 0.18 | 4.5 | 0.49 | 12.5 | 0.90 | 22.9 |
| Ø25 | LTP25-E | LTP25-E | 0.71 | 18.0 | 0.24 | 6.1 | 0.61 | 15.4 | 1.13 | 28.7 |
| Ø32 | LTP32-E | LTP32-E | 0.97 | 24.6 | 0.27 | 6.6 | 0.69 | 17.4 | 1.38 | 35.0 |
| Ø40 | LTP40-E | LTP40-E | 1.29 | 32.7 | 0.32 | 8.1 | 0.78 | 19.9 | 1.77 | 45.0 |
| Ø50 | LTP50-E | LTP50-E | 1.48 | 37.7 | 0.32 | 8.1 | 0.86 | 21.9 | 2.01 | 51.0 |
| Ø63 | LTP63-E | LTP63-E | 1.93 | 49.0 | 0.40 | 10.1 | 0.98 | 24.9 | 2.48 | 63.0 |

- NOTES:
 1. OPERATING TEMPERATURE -58° F TO +275° F (-50° C TO +135° C)
 2. RoHS
 3. HF

Material
 NICKEL PLATED BRASS

Units: inches
 Dimension without tolerances details to:
 .xxxx = ±.0005
 .xxx = ±.005
 .xx = ±.01
 .x = ±.03
 None = ±.06
 < = ±0.5°
 Dimension Formatted in[mm]

The copyright of this drawing is reserved by HellermannTyton. It is issued on condition that it is not reproduced, copied, or disclosed to a third party, either wholly or in part, without the consent of HellermannTyton.

Drawn GRW 11/28/2016
 Approved KAC 11/28/2016
HellermannTyton
 North America
 Email: corp@htamericas.com
 Web: www.hellermann.tyton.com

Article/Type-No LTP-E SERIES
 Title **HELAGUARD METALLIC CONDUIT END CAP INSERT**
 Drawing-No PRODUCTION : Phase
16-1966-001-CSU
 Scale
 Project Number PRP 16-1966
 Format AH
 Sheet 1/1