



Chipsmall Limited consists of a professional team with an average of over 10 year of expertise in the distribution of electronic components. Based in Hongkong, we have already established firm and mutual-benefit business relationships with customers from,Europe,America and south Asia,supplying obsolete and hard-to-find components to meet their specific needs.

With the principle of “Quality Parts,Customers Priority,Honest Operation,and Considerate Service”,our business mainly focus on the distribution of electronic components. Line cards we deal with include Microchip,ALPS,ROHM,Xilinx,Pulse,ON,Everlight and Freescale. Main products comprise IC,Modules,Potentiometer,IC Socket,Relay,Connector.Our parts cover such applications as commercial,industrial, and automotives areas.

We are looking forward to setting up business relationship with you and hope to provide you with the best service and solution. Let us make a better world for our industry!



## Contact us

Tel: +86-755-8981 8866 Fax: +86-755-8427 6832

Email & Skype: info@chipsmall.com Web: www.chipsmall.com

Address: A1208, Overseas Decoration Building, #122 Zhenhua RD., Futian, Shenzhen, China





# Photocoupler

## Product Data Sheet

### LTV-3150 series

Spec No.: DS70-2012-0059

Effective Date: 04/23/2014

Revision: A

**LITE-ON DCC**

**RELEASE**

BNS-OD-FC001/A4

## Photocouplers LTV-3150 series

### 1. DESCRIPTION

The LTV-3150 optocoupler is ideally suited for driving power IGBTs and MOSFETs used in motor control inverter applications and inverters in power supply system. It contains an AlGaAs LED optically coupled to an integrated circuit with a power output stage. The 1.0A peak output current is capable of directly driving most IGBTs with ratings up to 1200 V/50 A. For IGBTs with higher ratings, the LTV-3150 series can be used to drive a discrete power stage which drives the IGBT gate.

The Optocoupler operational parameters are guaranteed over the temperature range from  $-40^{\circ}\text{C} \sim +105^{\circ}\text{C}$ .

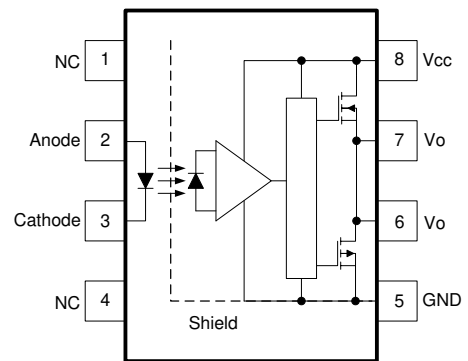
#### 1.1 Features

- 1.0 A maximum peak output current
- 0.8A minimum peak output current
- Rail-to-rail output voltage
- 400 ns maximum propagation delay
- 150 ns maximum propagation delay difference
- Under Voltage Lock-Out protection (UVLO) with hysteresis
- 15 kV/us minimum Common Mode Rejection (CMR) at  $V_{CM} = 1500 \text{ V}$
- $I_{CC} = 3.0 \text{ mA}$  maximum supply current
- Wide operating range: 15 to 30 Volts ( $V_{CC}$ )
- Guaranteed performance over temperature  $-40^{\circ}\text{C} \sim +105^{\circ}\text{C}$ .
- Offer low power dissipation with  $R_{ON} \leq 1\Omega$
- MSL Level 1
- Safety approval:
  - UL/ cUL Recognized 5000  $V_{RMS}/1 \text{ min}$
  - IEC/EN/DIN EN 60747-5-5  $V_{IORM} = 630 \text{ Vpeak}$

#### 1.2 Applications

- IGBT/MOSFET gate drive
- Uninterruptible power supply (UPS)
- Industrial Inverter
- AC/Brushless DC motor drives

#### Functional Diagram



A  $0.1\mu\text{F}$  bypass Capacitor must be connected between Pin 5 and 8. See note 11.

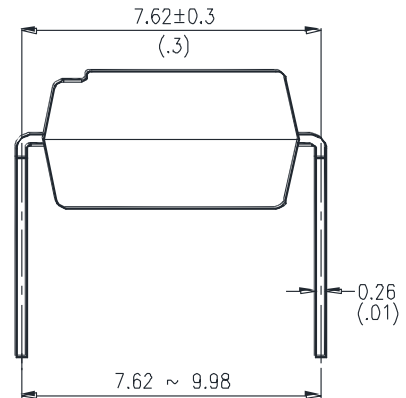
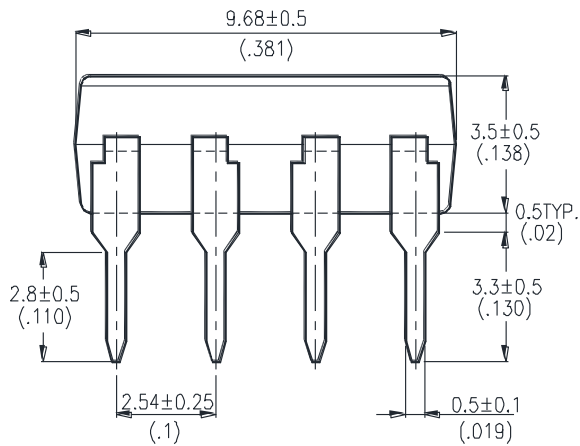
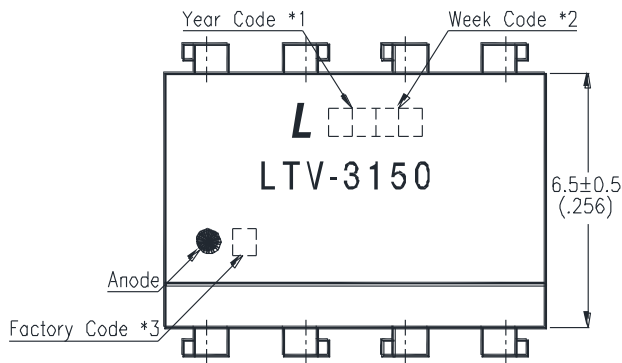
#### Truth Table

LED	$V_{CC-GND}$ (Turn-ON, +ve going)	$V_{CC-GND}$ (Turn-OFF, -ve going)	$V_O$
OFF	0 - 30 V	0 - 30 V	Low
ON	0 - 11 V	0 - 9 V	Low
ON	11 - 13.5 V	9 - 12 V	Transition
ON	13.5 - 30 V	12 - 30 V	High

# Photocouplers LTV-3150 series

## 2. PACKAGE DIMENSIONS

### 2.1 LTV-3150



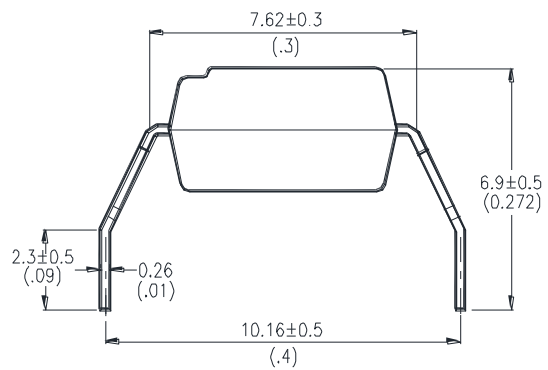
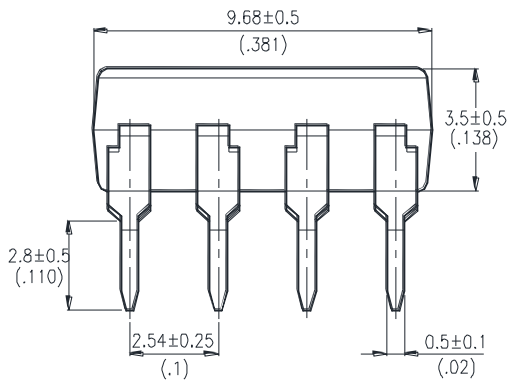
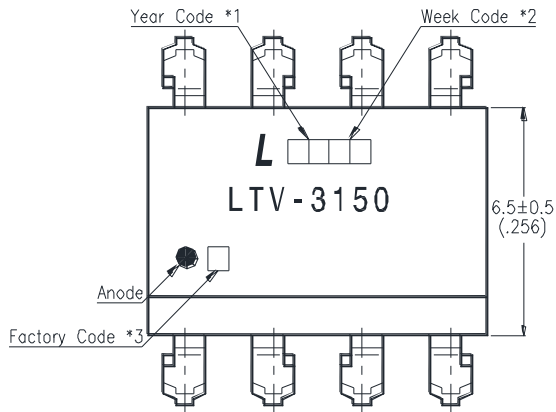
#### Notes :

- \*1. Year date code.
- \*2. 2-digit work week.
- \*3. Factory identification mark  
(Y : Thailand).

Dimensions are in Millimeters and (Inches).

## Photocouplers LTV-3150 series

### 2.2 LTV-3150M



#### Notes

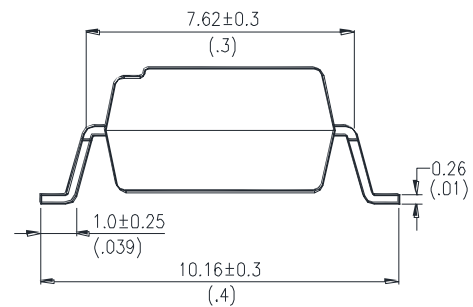
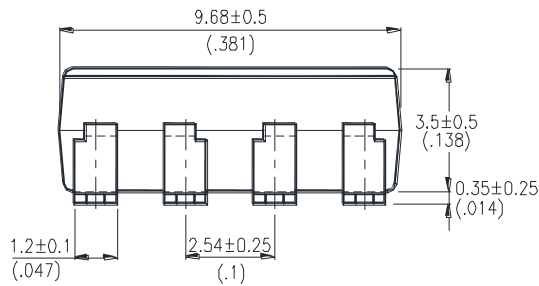
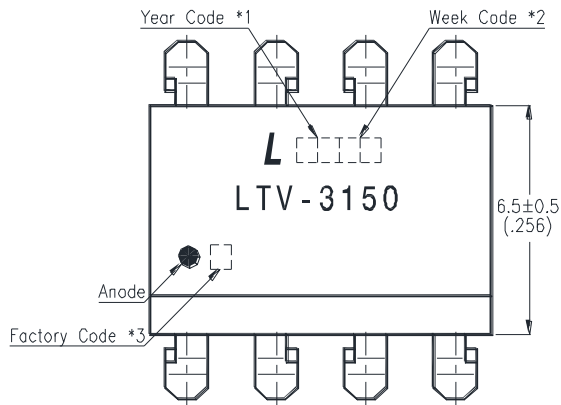
- \*1. Year date code.
- \*2. 2-digit work week.
- \*3. Factory identification mark  
(Y : Thailand).

Dimensions are in Millimeters and (Inches).



**Photocouplers  
LTV-3150 series**

**2.3 LTV-3150S**



**Notes :**

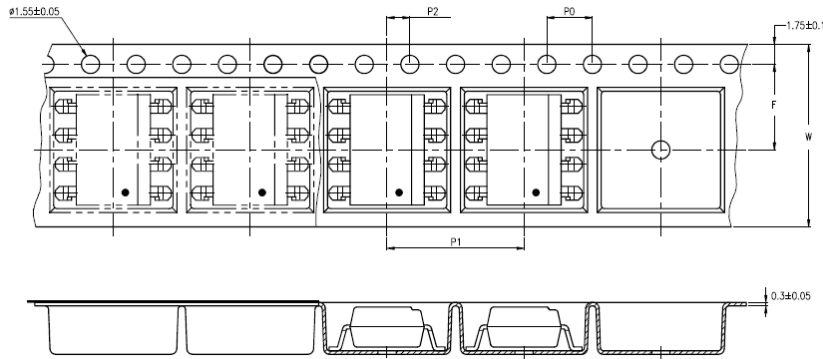
- \*1. Year date code.
- \*2. 2-digit work week.
- \*3. Factory identification mark  
(Y : Thailand).

Dimensions are in Millimeters and (Inches).

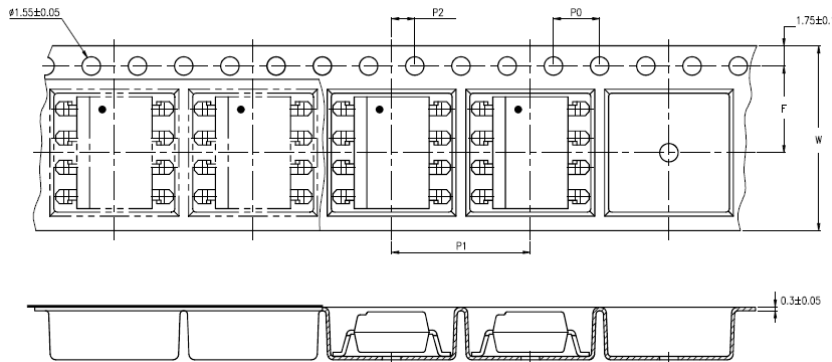
Photocouplers  
LTV-3150 series

3. TAPING DIMENSIONS

3.1 LTV-3150S-TA



3.2 LTV-3150S-TA1



Description	Symbol	Dimension in mm (inch)
Tape wide	W	16±0.3 (0.63)
Pitch of sprocket holes	P <sub>0</sub>	4±0.1 (0.15)
Distance of compartment	F	7.5±0.1 (0.295)
	P <sub>2</sub>	2±0.1 (0.079)
Distance of compartment to compartment	P <sub>1</sub>	12±0.1 (0.47)

Quantities Per Reel

Package Type	LTV-3150
Quantities (pcs)	1000

## Photocouplers LTV-3150 series

### 4. RATING AND CHARACTERISTICS

#### 4.1 Absolute Maximum Ratings

Parameter	Symbol	Min	Max	Unit	Note
Storage Temperature	$T_{stg}$	-55	+125	°C	
Operating Temperature	$T_{opr}$	-40	+105	°C	
Output IC Junction Temperature	$T_J$		125	°C	
Isolation Voltage	$V_{iso}$	5000		$V_{RMS}$	
Total Output Supply Voltage	$(V_{CC} - V_{EE})$	0	35	V	
Average Forward Input Current	$I_F$		25	mA	
Reverse Input Voltage	$V_R$		5	V	
Peak Transient Input Current ( $<1 \mu s$ pulse width, 300 pps)	$I_{F(TRAN)}$		1	A	
“High” Peak Output Current	$I_{OH(PEAK)}$		1.0	A	1
“Low” Peak Output Current	$I_{OL(PEAK)}$		1.0	A	1
Input Current (Rise/Fall Time)	$t_{r(IN)} / t_{f(IN)}$		500	ns	
Output Voltage	$V_{O(PEAK)}$	-0.5	$V_{CC}$	V	
Power Dissipation	$P_I$		40	mW	
Output Power Dissipation	$P_O$		250	mW	
Total Power Dissipation	$P_T$		295	mW	
Lead Solder Temperature	$T_{sol}$		260	°C	

Ambient temperature = 25°C, unless otherwise specified. Stresses exceeding the absolute maximum ratings can cause permanent damage to the device. Exposure to absolute maximum ratings for long periods of time can adversely affect reliability.

#### 4.2 Recommended Operating Conditions

Parameter	Symbol	Min	Max	Unit
Operating Temperature	$T_A$	-40	105	°C
Supply Voltage	$V_{CC}$	15	30	V
Input Current (ON)	$I_{FL(ON)}$	7	16	mA
Input Voltage (OFF)	$V_{F(OFF)}$	-3.0	0.8	V



## Photocouplers LTV-3150 series

### 4.3 ELECTRICAL OPTICAL CHARACTERISTICS

	Parameter	Symbol	Min.	Typ.	Max.	Unit	Test Condition	Figure	Note
Input	Input Forward Voltage	$V_F$	1.2	1.37	1.8	V	$I_F = 10\text{mA}$	13	
	Input Forward Voltage Temperature Coefficient	$\Delta V_F / \Delta T$		-1.237		mV/°C	$I_F = 10\text{mA}$		
	Input Reverse Voltage	$BV_R$	5			V	$I_R = 10\mu\text{A}$		
	Input Threshold Current (Low to High)	$I_{FLH}$		1.4	5	mA	$R_g = 10\Omega$ , $C_g = 25\text{nF}$ , $V_O > 5\text{V}$	6, 7,18	
	Input Threshold Voltage (High to Low)	$V_{FHL}$	0.8			V			
	Input Capacitance	$C_{IN}$		33		pF	$f = 1\text{MHz}$ , $V_F = 0\text{V}$		
Output	High Level Supply Current	$I_{CCH}$		1.9	3.0	mA	$R_g = 10\Omega$ , $C_g = 25\text{nF}$ , $I_F = 10\text{mA}$	4, 5	
	Low Level Supply Current	$I_{CCL}$		2.1	3.0	mA	$R_g = 10\Omega$ , $C_g = 25\text{nF}$ , $V_F = 0\text{V}$		
	High level output current	$I_{OH}$			-0.3	A	$V_O = (V_{CC} - 2.5\text{V})$	16	1
				-	-0.8		$V_{CC} - V_O \leq 15\text{V}$		2
	Low level output current	$I_{OL}$	0.3			A	$V_O = (V_{CC} + 2.0\text{V})$	17	1
			0.8				$V_{CC} - V_{EE} \leq 15\text{V}$		3
	High level output voltage	$V_{OH}$	$V_{CC} - 0.25$	$V_{CC} - 0.1$		V	$I_F = 10\text{mA}$ , $I_O = -100\text{mA}$	1, 2, 14	4
	Low level output voltage	$V_{OL}$		$V_{EE} + 0.1$	$V_{EE} + 0.25$	V	$I_F = 0\text{mA}$ , $I_O = 100\text{mA}$	3, 15	
	UVLO Threshold	$V_{UVLO+}$	11.0	12.7	13.5	V	$V_O > 5\text{V}$ , $I_F = 10\text{mA}$	19	
$V_{UVLO-}$		9.0	11.2	12	V	$V_O < 5\text{V}$ , $I_F = 10\text{mA}$			
UVLO Hysteresis	$UVLO_{HYS}$		1.5		V				

All Typical values at  $T_A = 25^\circ\text{C}$  and  $V_{CC} - V_{EE} = 30\text{V}$ , unless otherwise specified; all minimum and maximum specifications are at recommended operating condition. (As page 6)

## Photocouplers LTV-3150 series

### 5. SWITCHING SPECIFICATION

Parameter	Symbol	Min.	Typ.	Max.	Unit	Test Condition	Figure	Note
Propagation Delay Time to High Output Level	$t_{PHL}$	100	242	400	ns	$R_g = 10\Omega$ , $C_g = 25nF$ , $f = 20\text{ kHz}$ , Duty Cycle = 50% $I_F = 7\text{ to }16\text{ mA}$ , $V_{CC} = 15\text{ to }30V$ $V_{EE} = \text{ground}$	8, 9, 10, 11, 12, 20	
Propagation Delay Time to Low Output Level	$t_{PLH}$	100	183	400				
Pulse Width Distortion	PWD		-60	-120				10
Propagation delay difference between any two parts or channels	PDD	-150		150			7	
Output Rise Time (20 to 80%)	$T_r$		42				20	
Output Fall Time (80 to 20%)	$T_f$		50					
Common mode transient immunity at high level output	CMH	15			KV/ $\mu$ s	$T_A = 25^\circ\text{C}$ , $I_F = 10\text{ to }16\text{ mA}$ , $V_{CM} = 1500\text{ V}$ , $V_{CC} = 30\text{ V}$	21	8
Common mode transient immunity at low level output	CML	15			KV/ $\mu$ s	$T_A = 25^\circ\text{C}$ , $V_F = 0\text{ V}$ , $V_{CM} = 1500\text{ V}$ , $V_{CC} = 30\text{ V}$		9

All Typical values at  $T_A = 25^\circ\text{C}$  and  $V_{CC} - V_{EE} = 30\text{ V}$ , unless otherwise specified; all minimum and maximum specifications are at recommended operating condition. (As page 6)

## Photocouplers LTV-3150 series

### 6. ISOLATION CHARACTERISTIC

Parameter	Symbol	Min.	Typ.	Max.	Unit	Test Condition	Note
Withstand Insulation Test Voltage	$V_{ISO}$	5000	—	—	V	$RH \leq 50\%$ , $t = 1\text{min}$ , $T_A = 25^\circ\text{C}$	5, 6
Input-Output Resistance	$R_{I-O}$	—	$6.5 \times 10^{11}$	—	$\Omega$	$V_{I-O} = 500\text{V DC}$	5
Input-Output Capacitance	$C_{I-O}$	—	1.0	—	pF	$f = 1\text{MHz}$	

All Typical values at  $T_A = 25^\circ\text{C}$  unless otherwise specified. All minimum and maximum specifications are at recommended operating condition. (As page 6)

#### Notes:

- 1) Maximum pulse width =  $10\mu\text{s}$ , maximum duty cycle = 0.2%.
- 2) Output is sourced at -0.8 A with a maximum pulse width =  $10\mu\text{s}$ .  $V_{CC}-V_O$  is measured to ensure 15 V or below.
- 3) Output is sourced at 0.8A with a maximum pulse width =  $10\mu\text{s}$ .  $V_O-V_{EE}$  is measured to ensure 15 V or below.
- 4) In this test  $V_{OH}$  is measured with a DC load current. When driving capacitive loads,  $V_{OH}$  will approach  $V_{CC}$  as  $I_{OH}$  approaches zero amps.
- 5) Device is considered a two terminal device: pins 1, 2, 3 and 4 are shorted together and pins 5, 6, 7 and 8 are shorted together.
- 6) According to UL1577, each photocoupler is tested by applying an insulation test voltage  $5250 V_{RMS}$  for one second (leakage current less than  $10\mu\text{A}$ ). This test is performed before the 100% production test for partial discharge
- 7) The difference between  $T_{PHL}$  and  $T_{PLH}$  between any two LTV-3150 parts under same test conditions.
- 8) Common mode transient immunity in high stage is the maximum tolerable negative  $dV_{CM}/dt$  on the trailing edge of the common mode impulse signal,  $V_{CM}$ , to assure that the output will remain high.
- 9) Common mode transient immunity in low stage is the maximum tolerable positive  $dV_{CM}/dt$  on the leading edge of the common mode impulse signal,  $V_{CM}$ , to assure that the output will remain low.
- 10) Pulse Width Distortion is defined as  $T_{PHL} - T_{PLH}$  for any given device.
- 11) At least a  $0.1\mu\text{F}$  or bigger bypass capacitor must be connected/ closed across pin 8 and pin 5. Failure to provide the bypass may impair the switching property. Normally, it is recommended to place a  $1\mu\text{F}$  multi-layer ceramic capacitor. To parallel one larger capacitor ( $>1\mu\text{F}$ ) to optimize performance is better.

# Photocouplers LTV-3150 series

## 7. TYPICAL PERFORMANCE CURVES & TEST CIRCUITS

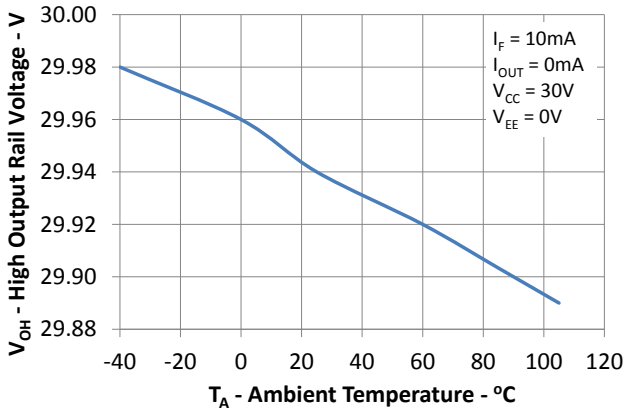


Figure 1: High output rail voltage vs. Temperature

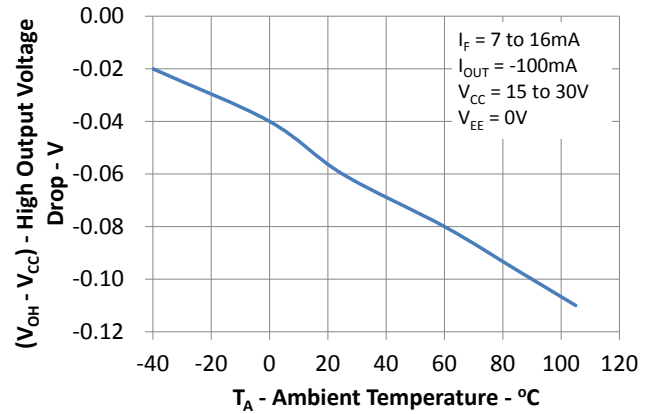


Figure 2:  $V_{OH}$  vs. Temperature

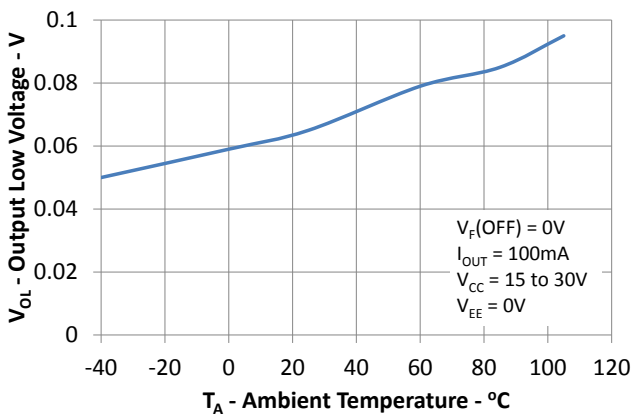


Figure 3:  $V_{OL}$  vs. High Current

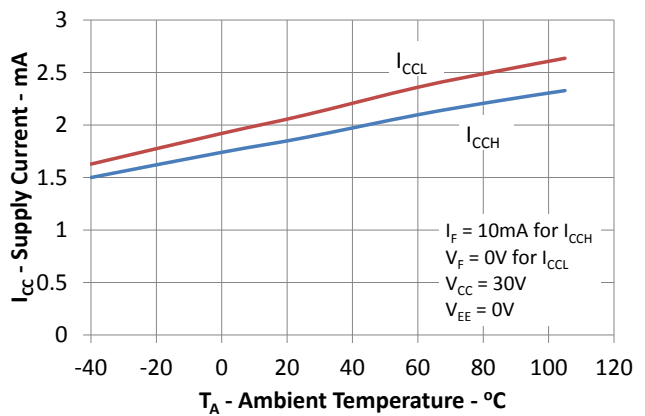


Figure 4:  $I_{CC}$  vs. Temperature

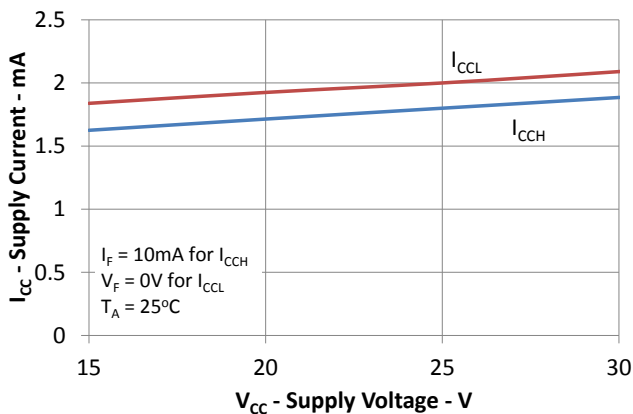


Figure 5:  $I_{CC}$  vs.  $V_{CC}$

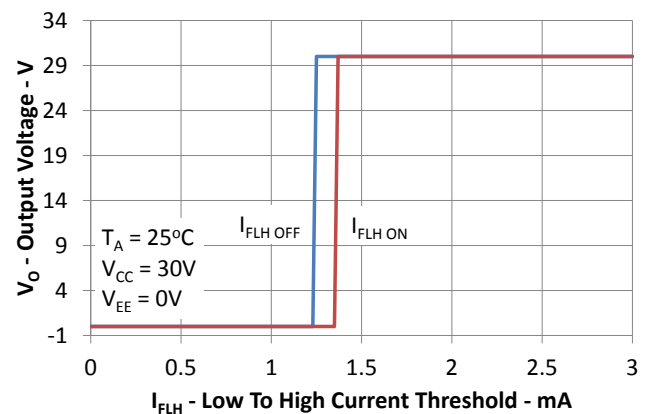


Figure 6: IFLH Hysteresis

## Photocouplers LTV-3150 series

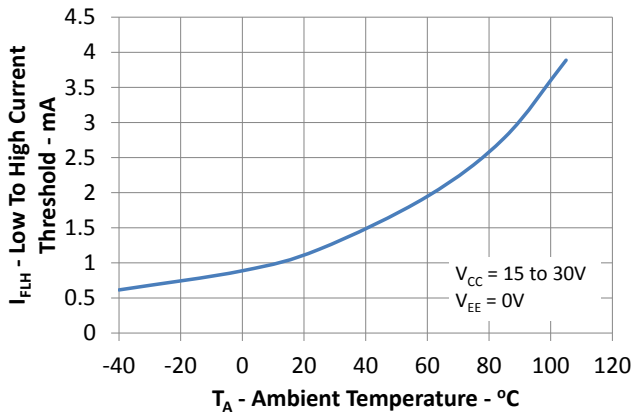


Figure 7:  $I_{FLH}$  vs. Temperature

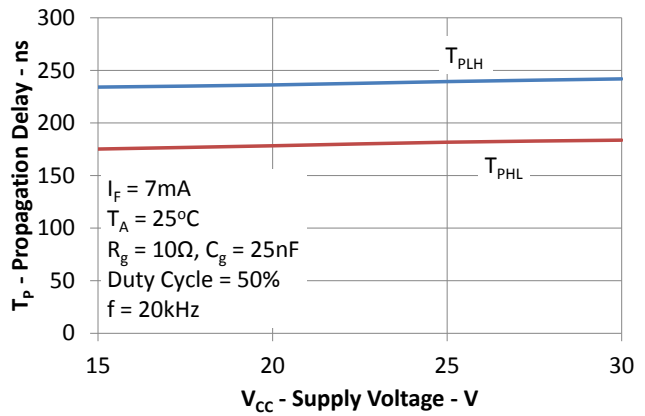


Figure 8: Propagation Delays vs.  $V_{CC}$

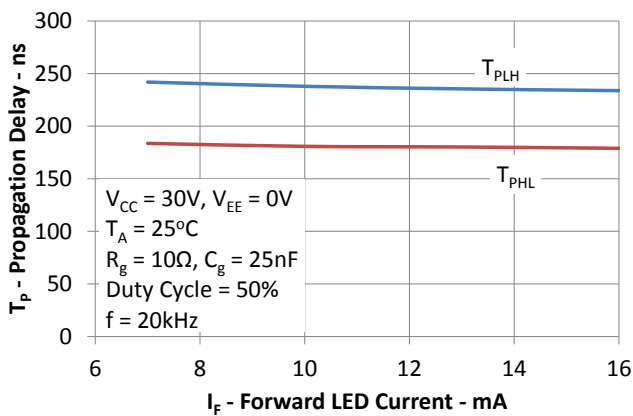


Figure 9: Propagation Delays vs.  $I_F$

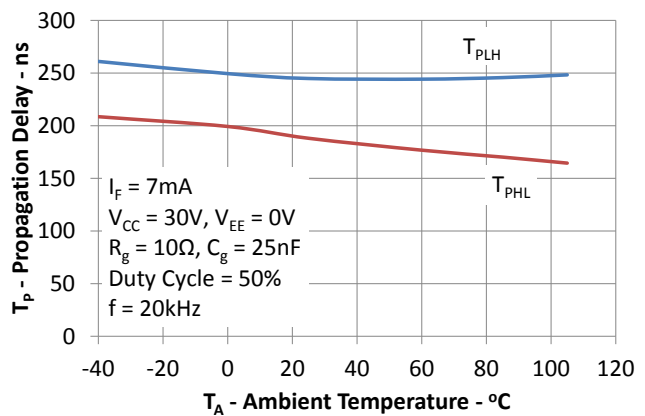


Figure 10: Propagation Delays vs. Temperature

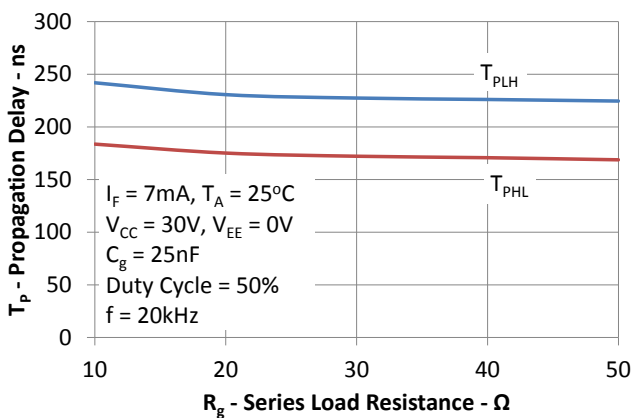


Figure 11: Propagation Delays vs.  $R_g$

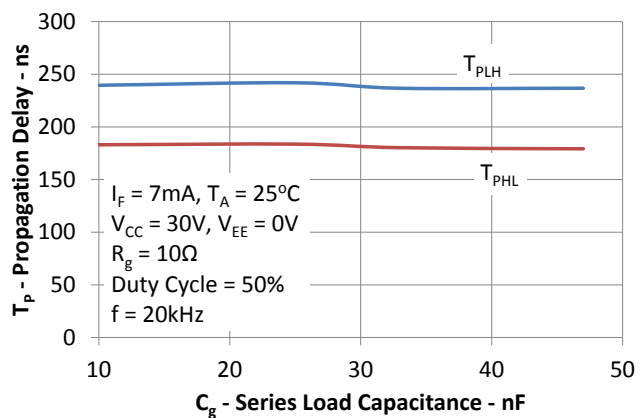


Figure 12: Propagation Delays vs.  $C_g$

# Photocouplers LTV-3150 series

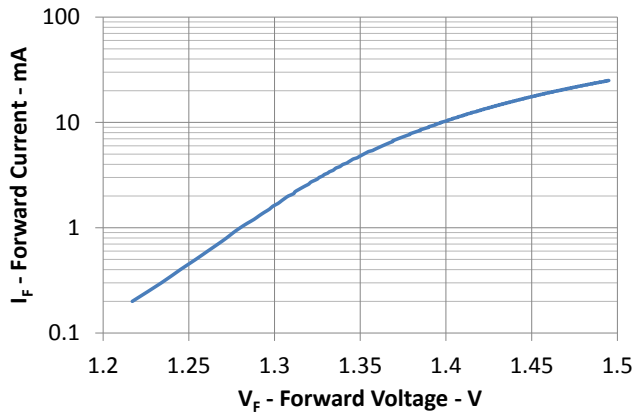


Figure 13: Input Current vs. Forward Voltage

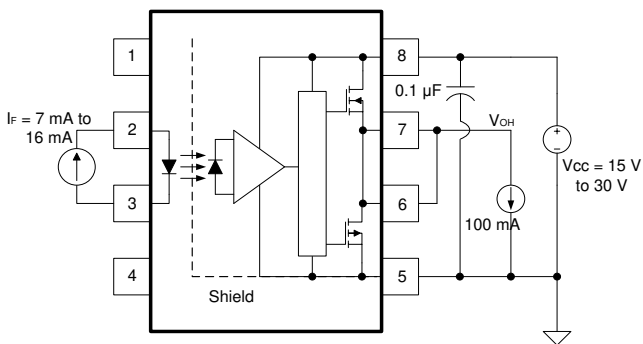


Figure 14 :  $V_{OH}$  Test Circuit

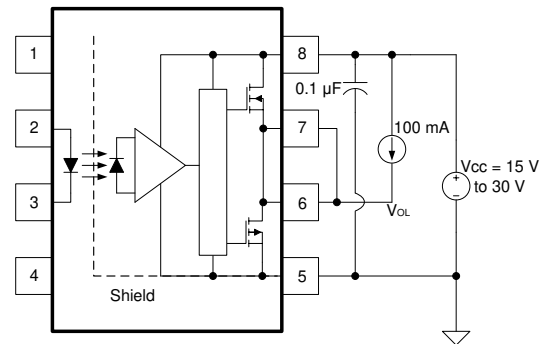


Figure 15 :  $V_{OL}$  Test Circuit

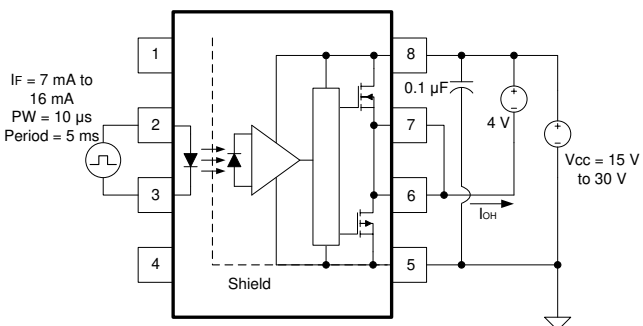


Figure 16 :  $I_{OH}$  Test Circuit

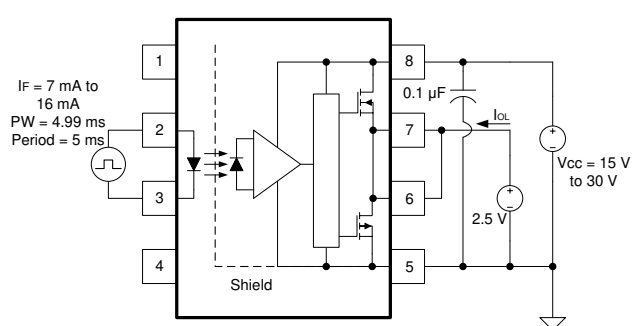


Figure 17 :  $I_{OL}$  Test Circuit



# Photocouplers LTV-3150 series

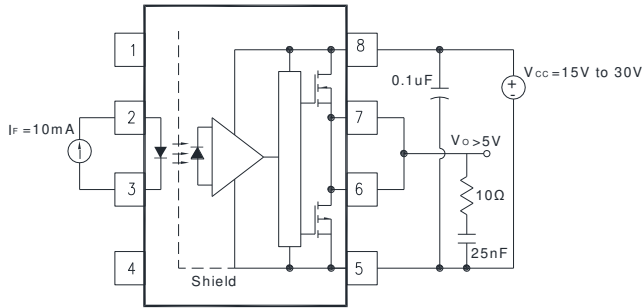


Figure 18 : IFLH Test Circuit

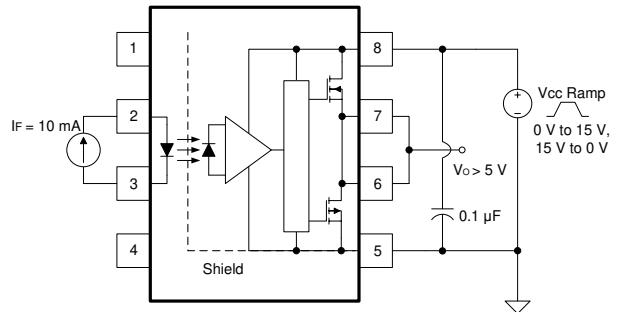


Figure 19 : UVLO Test Circuit

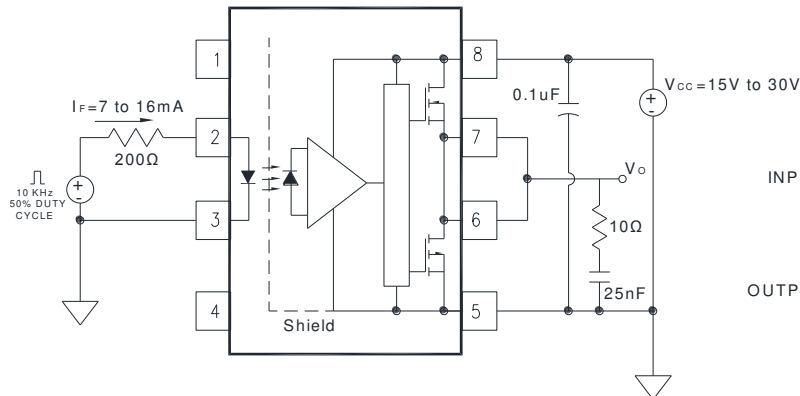


Figure 20 :  $t_r$ ,  $t_f$ ,  $t_{PLH}$  and  $t_{PHL}$  Test Circuit and Waveforms

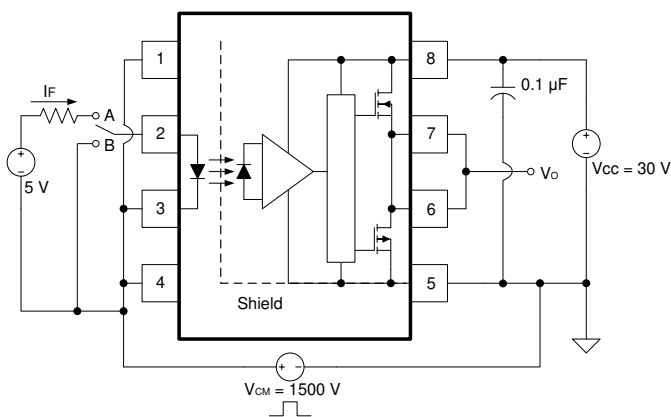


Figure 21 : CMR Test Circuit and Waveforms

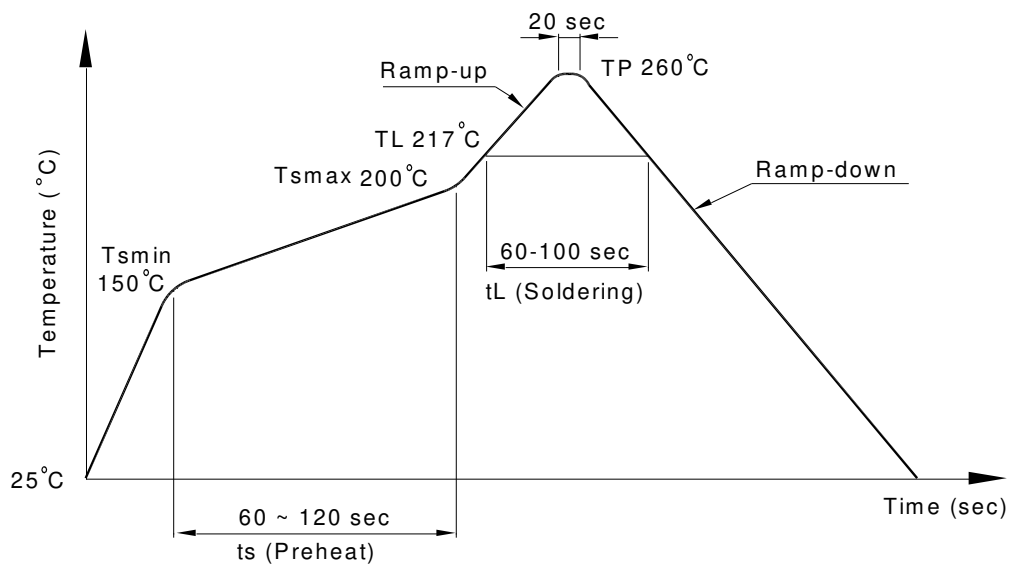
# Photocouplers LTV-3150 series

## 8. TEMPERATURE PROFILE OF SOLDERING

### 8.1 IR Reflow soldering (JEDEC-STD-020C compliant)

One time soldering reflow is recommended within the condition of temperature and time profile shown below. Do not solder more than three times.

Profile item	Conditions
Preheat	
- Temperature Min ( $T_{Smin}$ )	150°C
- Temperature Max ( $T_{Smax}$ )	200°C
- Time (min to max) (ts)	90±30 sec
Soldering zone	
- Temperature ( $T_L$ )	217°C
- Time ( $t_L$ )	60 ~ 100 sec
Peak Temperature ( $T_P$ )	260°C
Ramp-up rate	3°C / sec max.
Ramp-down rate	3~6°C / sec



# Photocouplers LTV-3150 series

## 8.2 Wave soldering (JEDEC22A111 compliant)

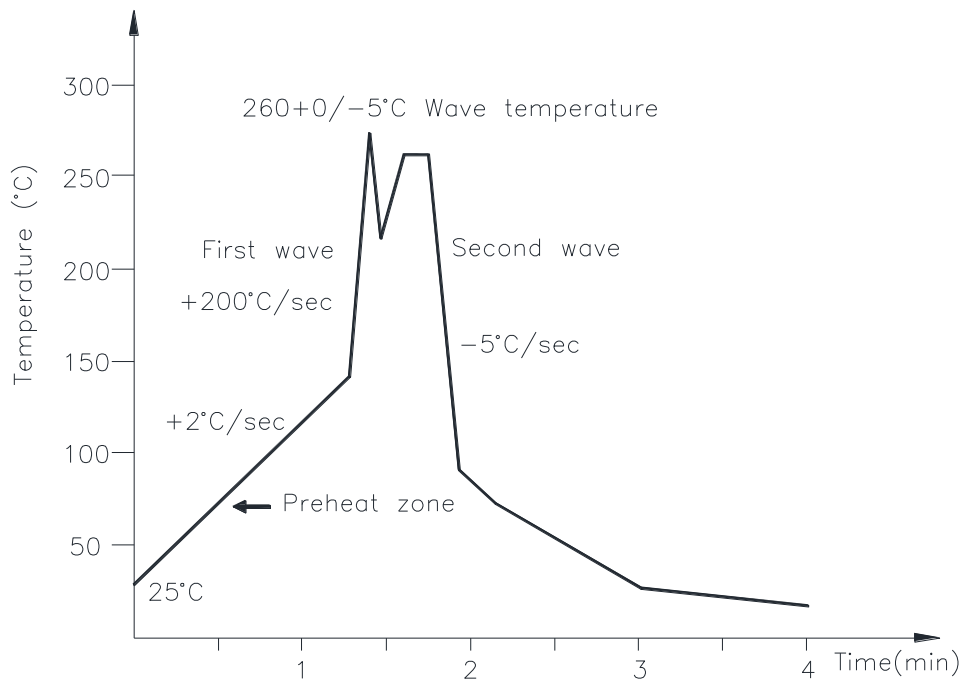
One time soldering is recommended within the condition of temperature.

Temperature:  $260 \pm 0 / -5^\circ\text{C}$

Time: 10 sec.

Preheat temperature: 25 to  $140^\circ\text{C}$

Preheat time: 30 to 80 sec.



## 8.3 Hand soldering by soldering iron

Allow single lead soldering in every single process. One time soldering is recommended.

Temperature:  $380 \pm 0 / -5^\circ\text{C}$

Time: 3 sec max.

**Photocouplers  
LTV-3150 series**

**9. ORDERING INFORMATION**

Parameter	Option	Minimum CMR		Input-On Current (mA)	Remark
		dV/dt (V/μs)	V <sub>CM</sub> (V)		
LTV-3150		15,000	1500	10	Single Channel, DIP-8
	M				Single Channel, Wide Lead Spacing
	S				Single Channel, SMD-8