



Chipsmall Limited consists of a professional team with an average of over 10 year of expertise in the distribution of electronic components. Based in Hongkong, we have already established firm and mutual-benefit business relationships with customers from,Europe,America and south Asia,supplying obsolete and hard-to-find components to meet their specific needs.

With the principle of “Quality Parts,Customers Priority,Honest Operation,and Considerate Service”,our business mainly focus on the distribution of electronic components. Line cards we deal with include Microchip,ALPS,ROHM,Xilinx,Pulse,ON,Everlight and Freescale. Main products comprise IC,Modules,Potentiometer,IC Socket,Relay,Connector.Our parts cover such applications as commercial,industrial, and automotives areas.

We are looking forward to setting up business relationship with you and hope to provide you with the best service and solution. Let us make a better world for our industry!



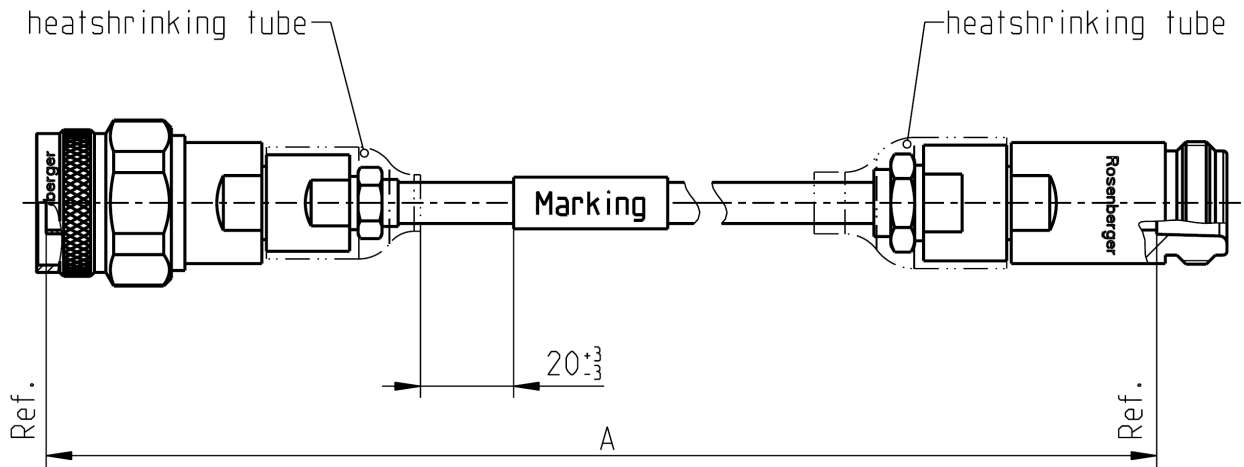
Contact us

Tel: +86-755-8981 8866 Fax: +86-755-8427 6832

Email & Skype: info@chipsmall.com Web: www.chipsmall.com

Address: A1208, Overseas Decoration Building, #122 Zhenhua RD., Futian, Shenzhen, China





All dimensions are in mm; tolerances: ± 3mm for A ≤ 300 mm; ± 1% for A > 300 mm

Available variants

Type	max. Insertion loss at 18 GHz	Marking	Weight (g) / pce
LU7-238-XXX	≤ 0.00164 dB/mm * A mm + 0.50 dB	ROSENBERGER YYYY-WW LU7-328-XXX FAC-RRRRRRR ssss	0.0656 g/mm * A mm + 97 g

XXX – length in mm = A

WW – week

YYYY – year

ssss – serial no.

FAC – Factory Code

RRRRRRR – lot nr.

Assembly parts

Connector left	RPC-N plug	05S121-2U7S3
Connector right	RPC-N jack	05K121-2U7S3
Cable	RTK 162	

Electrical data

Impedance	50 Ω
Frequency	DC to 18 GHz
Return loss ¹	≥ 19 dB, DC to 18 GHz
Insertion loss ¹	see table available variants
Shielding Effectiveness	≥ 100 dB up to 1 GHz

Individual testing and documentation:

Measurement plot with all 4 S-Parameters (S11; S22; S21; S12) is included with the cable assembly and on the backside the care and handling instruction is printed. Measurement adaptors used are mentioned in the commentary field.

¹ Including measurement adaptor if necessary

Technical Data Sheet

Rosenberger

Cable assembly - Standardportfolio
RPC-N Plug / RPC-N Jack – RTK 162

LU7-238-XXX

Mechanical data

Minimum bend radius:

Single 9.65 mm
Multiple 50.80 mm

Environmental data

Temperature range -40°C to +85°C
RoHS compliant

Packing

Standard 1 up to 10 pcs in box

While the information has been carefully compiled to the best of our knowledge, nothing is intended as representation or warranty on our part and no statement herein shall be construed as recommendation to infringe existing patents. In the effort to improve our products, we reserve the right to make changes judged to be necessary.

Draft	Date	Approved	Date	Rev.	Engineering change number	Name	Date
A.Schadhauser	08.01.15	Martin Moder	19.01.215	B00	15-s038	Thomas Leitner	19.01.15
Rosenberger Hochfrequenztechnik GmbH & Co. KG P.O.Box 1260 D-84526 Tittmoning Germany www.rosenberger.de						Tel. : +49 8684 18-0 Email : info@rosenberger.de	
							Page 2 / 2