



Chipsmall Limited consists of a professional team with an average of over 10 year of expertise in the distribution of electronic components. Based in Hongkong, we have already established firm and mutual-benefit business relationships with customers from,Europe,America and south Asia,supplying obsolete and hard-to-find components to meet their specific needs.

With the principle of "Quality Parts,Customers Priority,Honest Operation,and Considerate Service",our business mainly focus on the distribution of electronic components. Line cards we deal with include Microchip,ALPS,ROHM,Xilinx,Pulse,ON,Everlight and Freescale. Main products comprise IC,Modules,Potentiometer,IC Socket,Relay,Connector.Our parts cover such applications as commercial,industrial, and automotives areas.

We are looking forward to setting up business relationship with you and hope to provide you with the best service and solution. Let us make a better world for our industry!



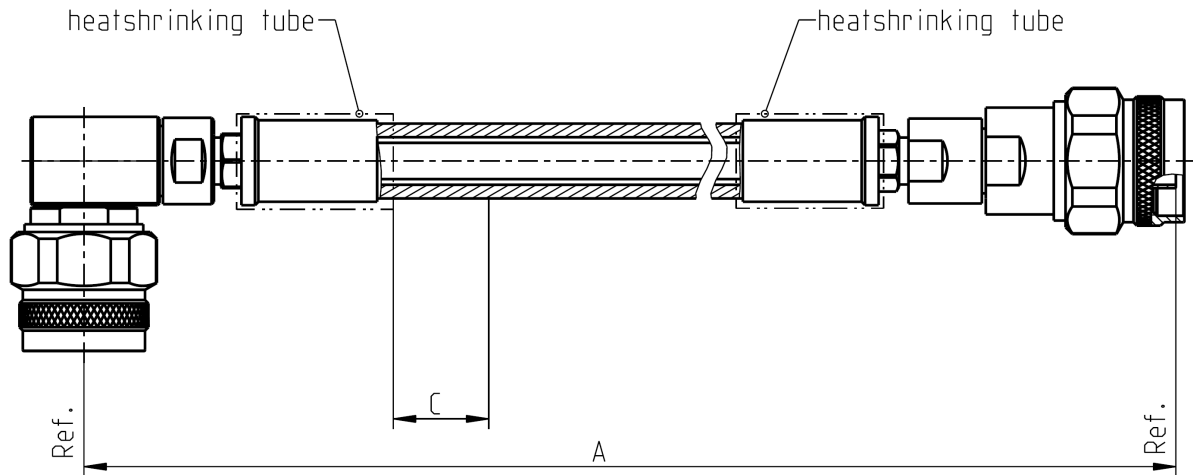
## Contact us

Tel: +86-755-8981 8866 Fax: +86-755-8427 6832

Email & Skype: info@chipsmall.com Web: www.chipsmall.com

Address: A1208, Overseas Decoration Building, #122 Zhenhua RD., Futian, Shenzhen, China





All dimensions are in mm; tolerances according to ISO 2768 c-H

**Available variants**

Type	"A" (mm)	"C" (mm)	Insertion loss ≤ (dB) at 18 GHz	Marking	Weight (g) / pce
LU7-275-500	500	20±3	1.20	ROSENBERGER WW/YY XXX LU7-275-500	254
LU7-275-1000	1000	20±3	2.10	ROSENBERGER WW/YY XXX LU7-275-1000	373
LU7-275-1500	1500	20±3	2.90	ROSENBERGER WW/YY XXX LU7-275-1500	492
LU7-275-2000	2000	20±3	3.70	ROSENBERGER WW/YY XXX LU7-275-2000	610

WW - week  
YY - year  
XXX – serial no.

**Documents**

Technical data sheet connectors	RPC-N plug	05S122-2U7S3
	RPC-N plug right angle	05S222-2U7S3
Technical data sheet cable	RTK 162	

**Assembly parts**

Connector left	RPC-N plug	05S122-2U7S3
Connector right	RPC-N plug right angle	05S222-2U7S3
Cable	RTK 162	
Armour	Polyurethane jacket over braid / stainless steel spiral	

**Technical Data Sheet****Rosenberger**Cable assembly - Standardportfolio  
RPC-N Plug / RPC-N Plug RA – RTK 162**LU7-275-XXX****Electrical data**

Impedance	50 Ω
Frequency	DC to 18 GHz
Return loss	≥ 17 dB, DC to 18 GHz
Insertion loss	see table available variants
RF-leakage	≥ 100 dB up to 1 GHz

**Mechanical data**

Minimum bend radius:	
Single	25.5 mm
Multiple	50.8 mm
Crush resistance	80N/mm

**Environmental data**

Temperature range	-40°C to +80°C
2002/95/EC (RoHS)	compliant

**Packing**

Standard	1 pce in box
----------	--------------

While the information has been carefully compiled to the best of our knowledge, nothing is intended as representation or warranty on our part and no statement herein shall be construed as recommendation to infringe existing patents. In the effort to improve our products, we reserve the right to make changes judged to be necessary.

Draft	Date	Approved	Date	Rev.	Engineering change number	Name	Date
Martin Moder	23/01/12	Roland Neuhauser	31/01/12	a00	12-s045	T. Oberhauser	31/01/12
Rosenberger Hochfrequenztechnik GmbH & Co. KG P.O.Box 1260 D-84526 Tittmoning Germany <a href="http://www.rosenberger.de">www.rosenberger.de</a>					Tel. : +49 8684 18-0 Fax : +49 8684 18-499 Email : <a href="mailto:info@rosenberger.de">info@rosenberger.de</a>		Page 2 / 2