



Chipsmall Limited consists of a professional team with an average of over 10 year of expertise in the distribution of electronic components. Based in Hongkong, we have already established firm and mutual-benefit business relationships with customers from,Europe,America and south Asia,supplying obsolete and hard-to-find components to meet their specific needs.

With the principle of “Quality Parts,Customers Priority,Honest Operation,and Considerate Service”,our business mainly focus on the distribution of electronic components. Line cards we deal with include Microchip,ALPS,ROHM,Xilinx,Pulse,ON,Everlight and Freescale. Main products comprise IC,Modules,Potentiometer,IC Socket,Relay,Connector.Our parts cover such applications as commercial,industrial, and automotives areas.

We are looking forward to setting up business relationship with you and hope to provide you with the best service and solution. Let us make a better world for our industry!



Contact us

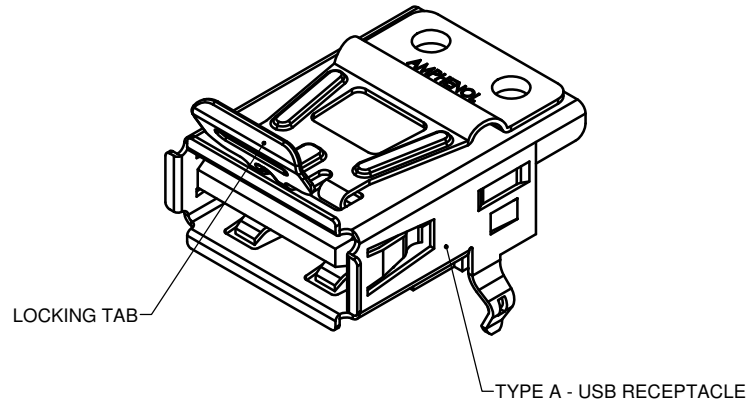
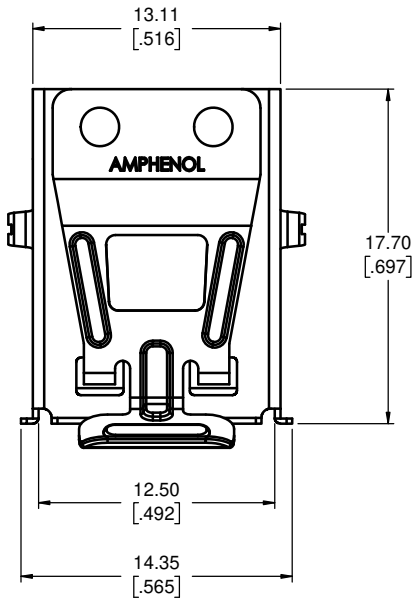
Tel: +86-755-8981 8866 Fax: +86-755-8427 6832

Email & Skype: info@chipsmall.com Web: www.chipsmall.com

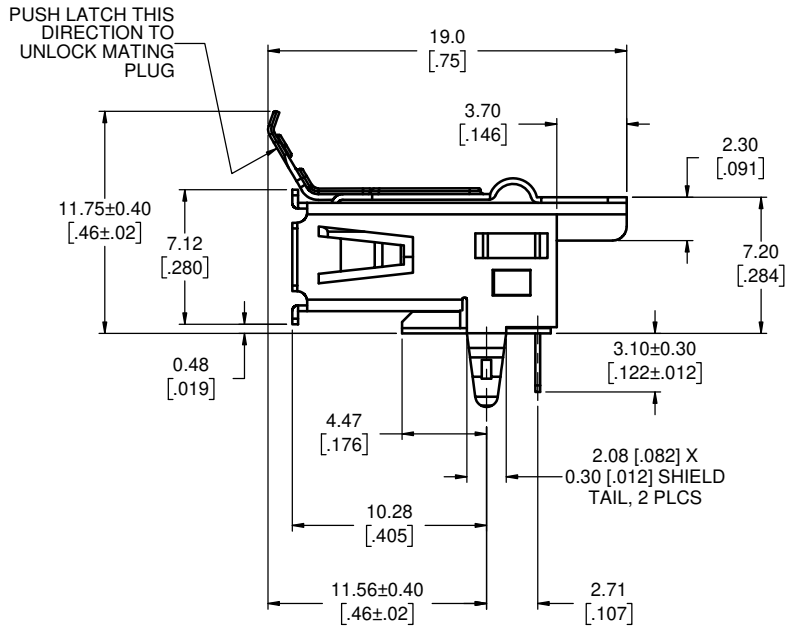
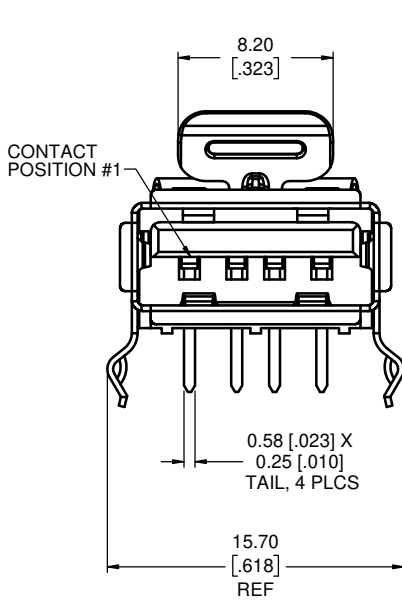
Address: A1208, Overseas Decoration Building, #122 Zhenhua RD., Futian, Shenzhen, China



REVISIONS			
REV	DESCRIPTION, ECN, EAR NO.	DATE	APP'D
D	PRODUCT DRAWING (EAR 14417)	MAR10/16	K.L.
E	PRODUCT DRAWING (EAR 14417)	NOV24/16	K.L.



USB 2.0 STANDARD-A CONNECTOR PIN ASSIGNMENTS		
PIN NUMBER	SIGNAL NAME	DESCRIPTION
1	VBUS	POWER
2	D-	USB 2.0 DIFFERENTIAL PAIR
3	D+	
4	GND	GROUND FOR POWER RETURN
SHELL	Shield	CONNECTOR METAL SHELL



NOTES:

- MATERIAL:
 - SHELL: NICKEL PLATED COPPER ALLOY
 - HOUSING: HIGH TEMPERATURE THERMOPLASTIC UL94V-0, COLOR - BLACK.
 - CONTACTS: PHOSPHOR BRONZE, PLATED WITH 0.76µm (30µ") GOLD OVER NICKEL ON MATING AREA & MATTE TIN ON SOLDER TAILS
 - LOCKING TAB: STAINLESS STEEL
- FEATURE: POSITIVE LOCK ON TYPE A, USB RIGHT ANGLE RECEPTACLE, WORKS WITH ANY STANDARD USB 2.0 TYPE A PLUG
- LOCKING RETENTION FORCE: 50 N (11.2 Lbf) MINIMUM
- OPERATING TEMPERATURE: -40°C TO +85°C.
- CURRENT RATING: 1.5 AMPERES
- ALL MATERIALS USED FOR CONNECTOR AND PACKAGING ARE RoHS COMPLIANT PER EU DIRECTIVE 2011/65/EU AND AMENDMENTS.

AMPHENOL PART NUMBER: LUSB-A111-00

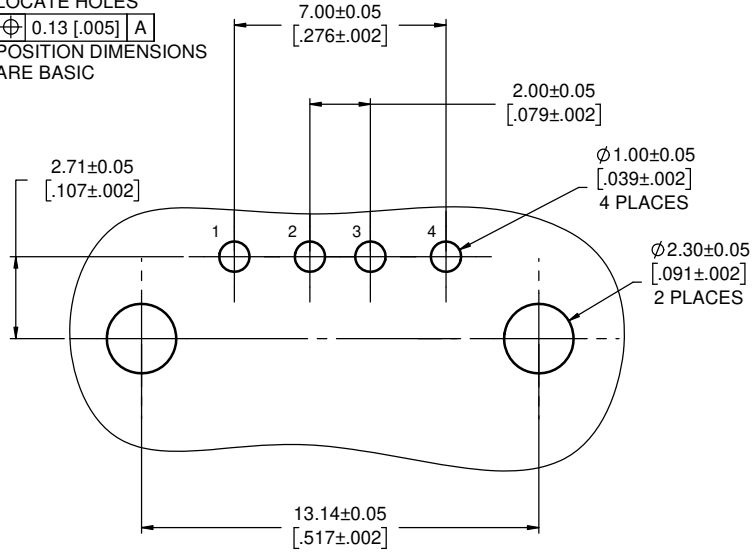
UNLESS SPECIFIED OTHERWISE	DRAWN LAWRENCE KIM	OCT19/07
PRIMARY UNITS MILLIMETERS	CHECKED LAWRENCE KIM	OCT19/07
SECONDARY INCHES	M.E. APP'D	
REFERENCE IN PARENTHESES	Q.A. APP'D	
GENERAL TOLERANCES	DWG APPR.	
1 DECIMAL PLACE ±0.4	ENG. REL. NO.	EAR 14211
2 DECIMAL PLACES ±0.25	REF.	
3 DECIMAL PLACES		
ANGULAR DEGREES	THIRD ANGLE PROJECTION	DO NOT SCALE DRAWING

Amphenol Canada Corp.
www.amphenolcanada.com
 LUSB SERIES, USB 2.0 TYPE A RECEPTACLE WITH POSITIVE LOCKING LATCH, RIGHT ANGLE PCB TAIL, RoHS COMPLIANT
P-LUSB-A111-00
 REV E

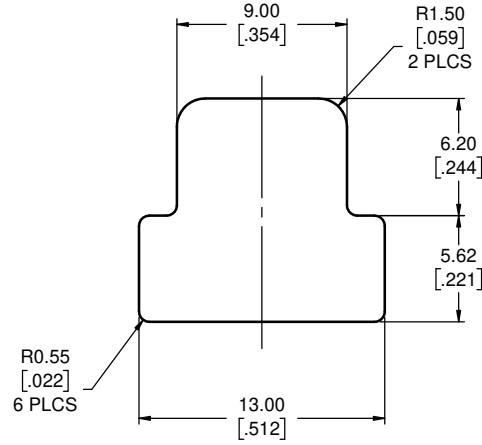
THIS DOCUMENT CONTAINS PROPRIETARY INFORMATION AND SUCH INFORMATION MAY NOT BE DISCLOSED TO OTHERS FOR ANY PURPOSE OR USED FOR MANUFACTURING PURPOSES WITHOUT WRITTEN PERMISSION FROM AMPHENOL CANADA CORP.

REVISIONS			
REV	DESCRIPTION, ECN, EAR NO.	DATE	APP'D
D	PRODUCT DRAWING (EAR 14417)	MAR10/16	K.L.
E	PRODUCT DRAWING (EAR 14417)	NOV24/16	K.L.

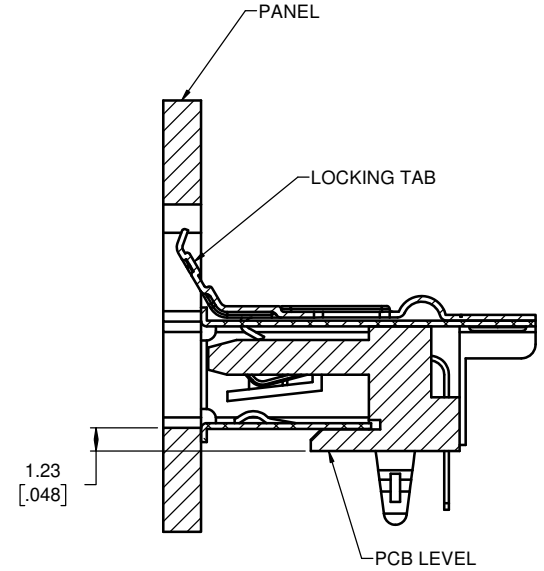
LOCATE HOLES
 $\varnothing 0.13$ [.005] A
 POSITION DIMENSIONS
 ARE BASIC



RECOMMENDED PCB LAYOUT



RECOMMENDED PANEL CUT-OUT



SECTION THROUGH PANEL CUT-OUT



UNLESS SPECIFIED OTHERWISE	DRAWN LAWRENCE KIM	OCT19/07
PRIMARY UNITS MILLIMETERS	CHECKED LAWRENCE KIM	OCT19/07
SECONDARY INCHES	M.E. APP'D	
REFERENCE IN PARENTHESES	Q.A. APP'D	
GENERAL TOLERANCES	DWG APPR.	
1 DECIMAL PLACE ± 0.4	ENG. REL. NO.	EAR 14211
2 DECIMAL PLACES ± 0.25	REF.	
3 DECIMAL PLACES	THIRD ANGLE PROJECTION	
ANGULAR DEGREES	DO NOT SCALE DRAWING	

Amphenol Canada Corp.
www.amphenolcanada.com
 LUSB SERIES, USB 2.0 TYPE A
 RECEPTACLE WITH POSITIVE
 LOCKING LATCH, RIGHT ANGLE
 PCB TAIL, RoHS COMPLIANT

DWG. NO. **P-LUSB-A111-00** REV **E**

CODE ID NO. 03554 DWG SIZE: X SCALE: 5:1 SHEET 2 OF 2