



Chipsmall Limited consists of a professional team with an average of over 10 year of expertise in the distribution of electronic components. Based in Hongkong, we have already established firm and mutual-benefit business relationships with customers from,Europe,America and south Asia,supplying obsolete and hard-to-find components to meet their specific needs.

With the principle of “Quality Parts,Customers Priority,Honest Operation,and Considerate Service”,our business mainly focus on the distribution of electronic components. Line cards we deal with include Microchip,ALPS,ROHM,Xilinx,Pulse,ON,Everlight and Freescale. Main products comprise IC,Modules,Potentiometer,IC Socket,Relay,Connector.Our parts cover such applications as commercial,industrial, and automotives areas.

We are looking forward to setting up business relationship with you and hope to provide you with the best service and solution. Let us make a better world for our industry!



Contact us

Tel: +86-755-8981 8866 Fax: +86-755-8427 6832

Email & Skype: info@chipsmall.com Web: www.chipsmall.com

Address: A1208, Overseas Decoration Building, #122 Zhenhua RD., Futian, Shenzhen, China





LV5232VH

Bi-CMOS IC

16ch LED Driver

ON Semiconductor®

<http://onsemi.com>

Overview

The LV5232VH is a semiconductor integrated circuit that incorporates a serial input and serial or parallel output 16-stage shift register that features a CMOS structure based on Bi-CMOS process technology. The LV5232VH also contains an n-channel CMOS construction high-withstand-voltage, large-current drive 16-stage parallel output driver. The protection circuit of the output malfunction is built into.

Function

- Serial input and serial or parallel output
- Enable input for output control
- Serial output enables cascade connection
- Low supply current (30 μ A typ. during standby $I_{CC} \leq 40\mu$ A)
- Serial input/output levels compatible with typical CMOS devices
- High-withstand-voltage LED driver with open drain output
 - High withstand voltage ($V_{DS} < 42V$)
 - High-current drive ($I_O \text{ max} = 100mA$)
- Operating temperature range $T_a = -25$ to $75^\circ C$
- Output malfunction protection circuit
 - Reset input pin , V_{CC} decrease voltage confirmation

Specifications

Absolute Maximum Ratings at $T_a = 25^\circ C$

Parameter	Symbol	Conditions	Ratings	Unit
Maximum supply voltage	$V_{CC \text{ max}}$	SV_{CC}	6	V
Output voltage	$V_O \text{ max}$	LEDO1 to LEDO16 off	42	V
Output current	$I_O \text{ max}$		100	mA
Allowable power dissipation	$P_d \text{ max}$	$T_a \leq 25^\circ C$ *	1100	mW
Operating temperature	T_{opr}		-25 to +75	$^\circ C$
Storage temperature	T_{stg}		-40 to +125	$^\circ C$

* Specified board : 114.3mm \times 76.1mm \times 1.6mm, glass epoxy board.

Caution 1) Absolute maximum ratings represent the values which cannot be exceeded for any length of time.

Caution 2) Even when the device is used within the range of absolute maximum ratings, as a result of continuous usage under high temperature, high current, high voltage, or drastic temperature change, the reliability of the IC may be degraded. Please contact us for the further details.

Stresses exceeding Maximum Ratings may damage the device. Maximum Ratings are stress ratings only. Functional operation above the Recommended Operating Conditions is not implied. Extended exposure to stresses above the Recommended Operating Conditions may affect device reliability.

Recommended Operating Conditions at $T_a = 25^\circ C$

Parameter	Symbol	Conditions	Ratings	Unit
Recommended supply voltage	V_{CC}	SV_{CC}	5.0	V
Operating supply voltage range	$V_{CC \text{ op}}$	SV_{CC}	3.0 to 5.5	V
Output applied voltage	V_O		42	V
Output current	I_O	Duty = 45% to 55%	100	mA

ORDERING INFORMATION

See detailed ordering and shipping information on page 9 of this data sheet.

LV5232VH

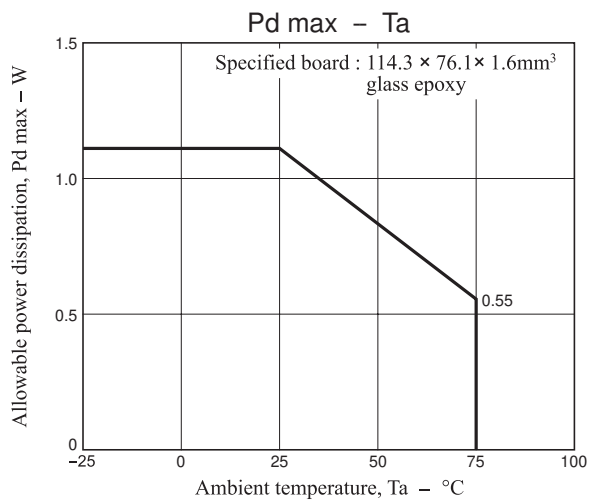
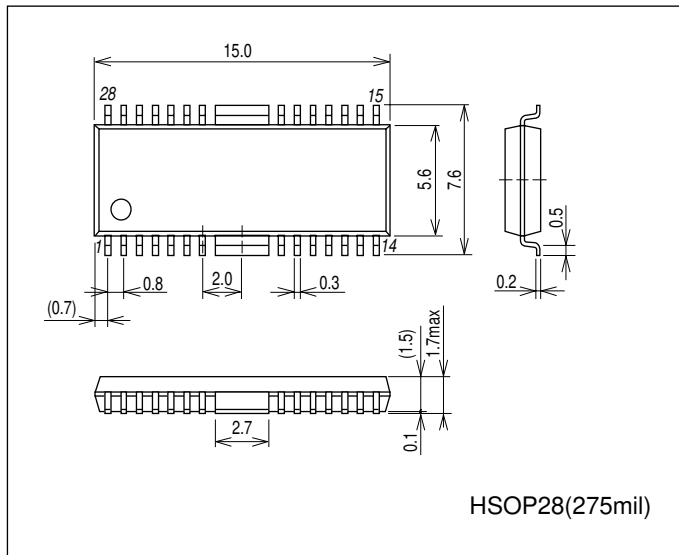
Electrical Characteristics at $T_a = 25^\circ\text{C}$, $V_{CC} = 5.0\text{V}$

Parameter	Symbol	Conditions	Ratings			Unit
			min	typ	max	
Quiescent current drain	I_{CC1}	LEDO driver off (standby)		30	40	μA
LEDO output on resistance	R_{on}	$I_O = 30\text{mA}$		5		Ω
OFF leak current	I_{leak}	$V_O = 42\text{V}$		0	10	μA
Driver output malfunction prevention voltage	V_t		2.58	2.70	2.82	V
Control circuit block						
H level 1	V_{INH1}	Input H level	$V_{CC} \times 0.8$			V
L level 1	V_{INL1}	Input L level	0		$V_{CC} \times 0.2$	V
H level 2	V_{OUTH1}	SOUT $I_O = -1\text{mA}$	$V_{CC} - 0.3$			V
L level 2	V_{OUTL1}	SOUT $I_O = 1\text{mA}$	0		0.3	V

Package Dimensions

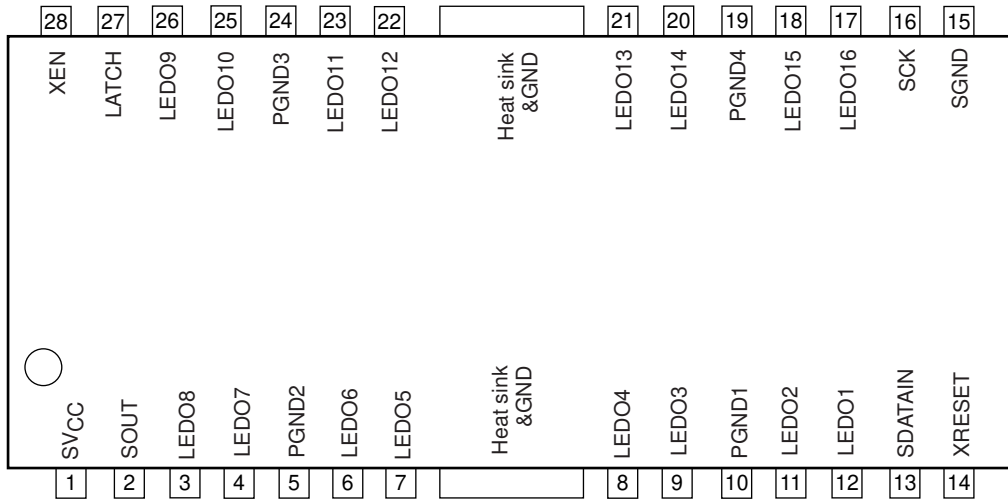
unit : mm (typ)

3222A



LV5232VH

Pin Assignment



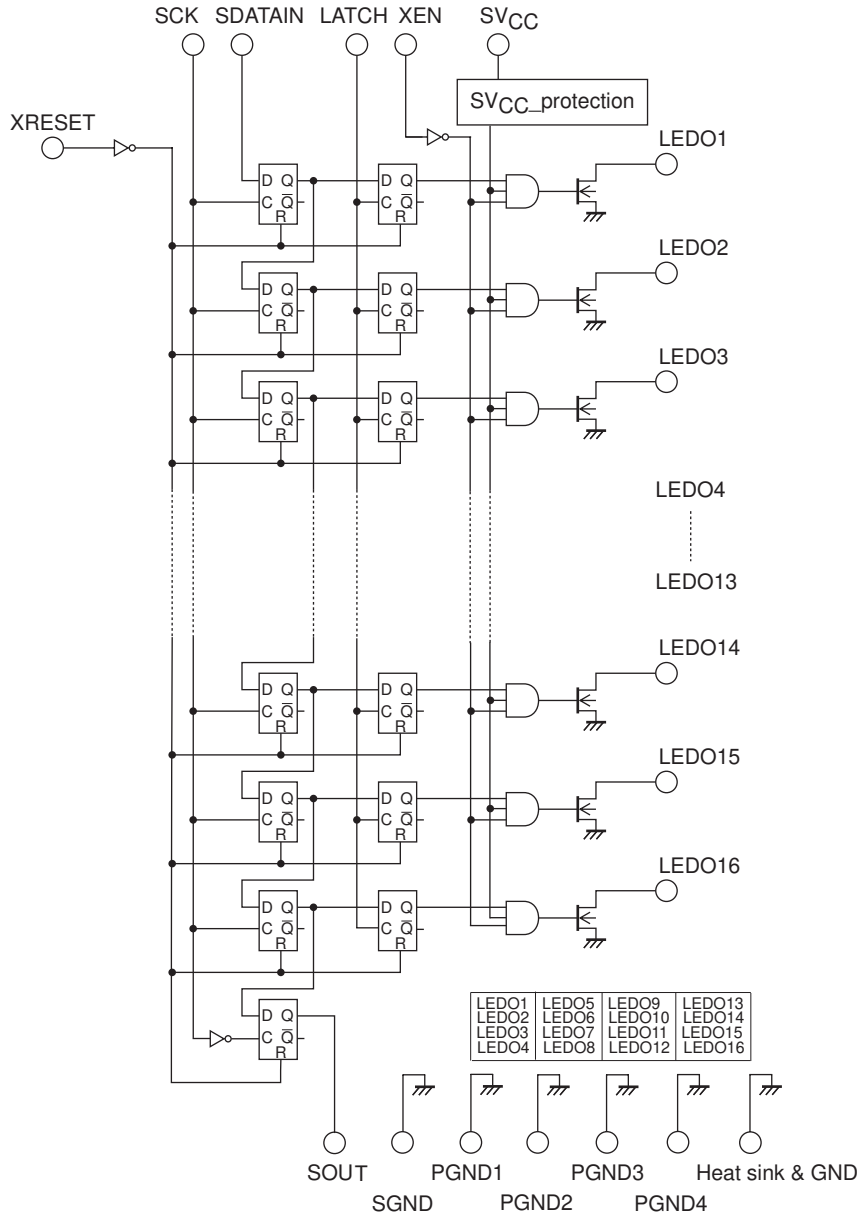
Top view

Pin Descriptions

Pin No.	Pin name	I/O	Description
1	SVCC		Power supply
2	SOUT	O	shift register output (final-stage shift register)
3	LEDO8	O	LEDO8 Latch output (LEDO8 of shift register)
4	LEDO7	O	LEDO7 Latch output (LEDO7 of shift register)
5	PGND2		GND
6	LEDO6	O	LEDO6 Latch output (LEDO6 of shift register)
7	LEDO5	O	LEDO5 Latch output (LEDO5 of shift register)
Heat sink			
8	LEDO4	O	LEDO4 Latch output (LEDO4 of shift register)
9	LEDO3	O	LEDO3 Latch output (LEDO3 of shift register)
10	PGND1		GND
11	LEDO2	O	LEDO2 Latch output (LEDO2 of shift register)
12	LEDO1	O	LEDO1 Latch output (LEDO1 of shift register)
13	SDATAIN	I	Serial Input
14	XRESET	I	Reset input (shift register and latch)
15	SGND		GND
16	SCK	I	Clock input (for shift register)
17	LEDO16	O	LEDO16 Latch output (LEDO16 of shift register)
18	LEDO15	O	LEDO15 Latch output (LEDO15 of shift register)
19	PGND4		GND
20	LEDO14	O	LEDO14 Latch output (LEDO14 of shift register)
21	LEDO13	O	LEDO13 Latch output (LEDO13 of shift register)
Heat sink			
22	LEDO12	O	LEDO12 Latch output (LEDO12 of shift register)
23	LEDO11	O	LEDO11 Latch output (LEDO11 of shift register)
24	PGND3		GND
25	PGND10	O	LEDO10 Latch output (LEDO10 of shift register)
26	PGND9	O	LEDO9 Latch output (LEDO9 of shift register)
27	LATCH	I	Latch input When the latch input is held low, the LED0 output status is retained. When a high-level is input, the LED0 outputs change when the status of the shift register changes.
28	XEN	I	Enable inputs (LEDO1 to LEDO16) When a high-level is input, all the LED0 outputs are turned off. When a low-level is input, the shift register data is output to LED0.

LV5232VH

Block Diagram



LV5232VH

Pin Functions

Pin No.	Pin Name	Pin function	Equivalent Circuit
13 16	SDATAIN SCK	Pull-down input	
14 27 28	XRESET LATCH XEN	Pull-up input	
2	SOUT	SOUT output	
3 4 6 7 8 9 11 12 17 18 20 21 22 23 25 26	LEDO8 LEDO7 LEDO6 LEDO5 LEDO4 LEDO3 LEDO2 LEDO1 LEDO16 LEDO15 LEDO14 LEDO13 LEDO12 LEDO11 LEDO10 LEDO9	LEDO outputs LEDO1 to LEDO16	<p>LEDO1/LEDO2/LEDO3/LEDO4/ LEDO5/LEDO6/LEDO7/LEDO8/ LEDO9/LEDO10/LEDO11/LEDO12/ LEDO13/LEDO14/LEDO15/LEDO16</p>

LV5232VH

Function

The LV5232VH consists of 1) an 16-stage D-type flip-flop and 2) an 16-stage D-type flip-flop connected to the output of 1). When data is supplied to the serial data input (SDATAIN) and the clock pulse is supplied to the clock input (SCK), the serial data input signal is input to the internal shift register and the data already in the shift register shifted sequentially when the clock changes from low to high.

The serial output (SOUT) is used to connect multiple LV5232VH to expand the number of bits and is connected to the SDATAIN of the next stage. (Cascade connection supported.)

For parallel output, when the output control enable input (XEN) is low, the latch input (LATCH) changes from low to high and the clock pulse input changes from low to high, the serial data input signal is output to LEDO1, and the output is shifted sequentially. For parallel outputs (LEDO2 to LEDO16), the signals whose polarities inverted from those of the serial data input (SDATAIN) are output.

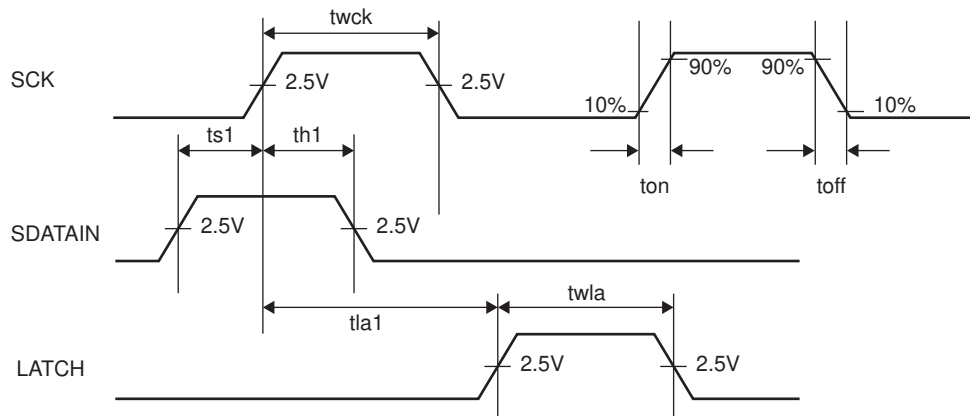
When the EN input is high, outputs LEDO1 through LEDO16 all turn off.

When the reset input is low, outputs LEDO1 through LEDO16 and SOUT outputs all turn off. The power must be turned on after checking that the reset input is low.

To prevent the malfunction, the output load protection circuit is built into. The output of LEDO1 to LEDO16 is compulsorily turned off when becoming below the voltage with a constant there is V_{CC} .

Timing conditions

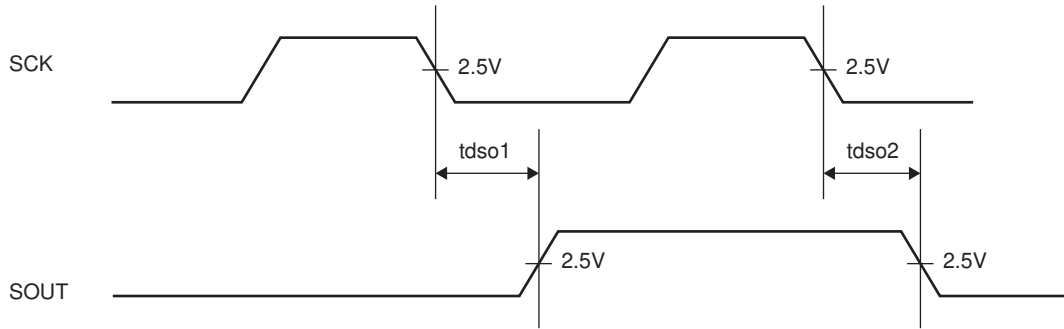
Parameter	symbol	Conditions	min	typ	max	unit
Clock frequency	fs1	SCK Duty = 50%			10	MHz
Clock pulse width	twck	SCK	50			ns
Latch pulse width	twla	LATCH	50			ns
Data set up time	ts1	SDATAIN setup time relative to the rise of SCK	25			ns
Data hold time	th1	SDATAIN data hold time relative to the rise of SCK	25			ns
Clock latch time	tla1		100			ns
Input conditions 1	ton	SCK and SDATAIN rise time			100	ns
Input conditions 2	toff	SCL and SDATAIN fall time			100	ns



LV5232VH

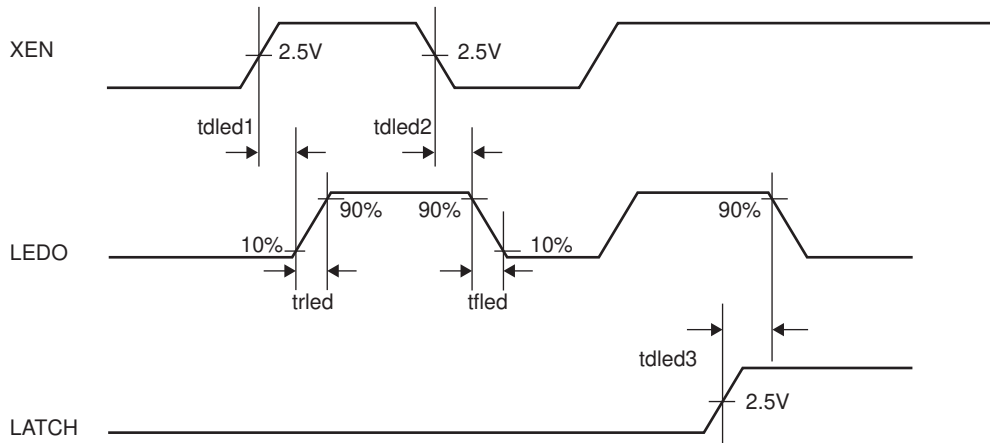
SOUT output timings

Parameter	symbol	Conditions	min	typ	max	unit
SOUT delay time 1	tdso1	The time from a SCK falling edge to SOUT rising edge			50	MHz
SOUT delay time 2	tdso2	The time from a SCK falling edge to SOUT falling edge			50	ns

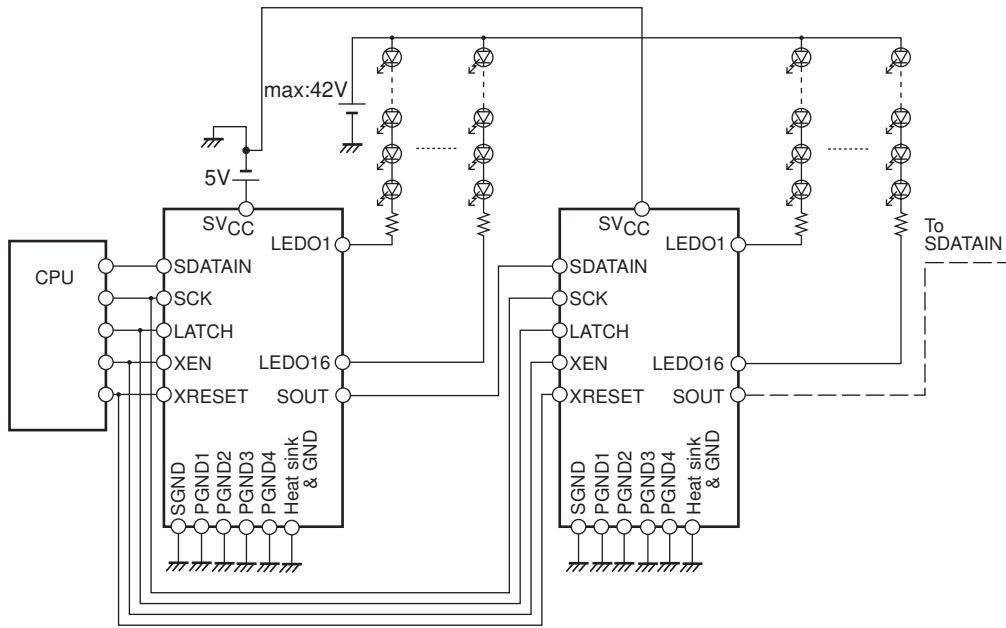


LEDO output timings

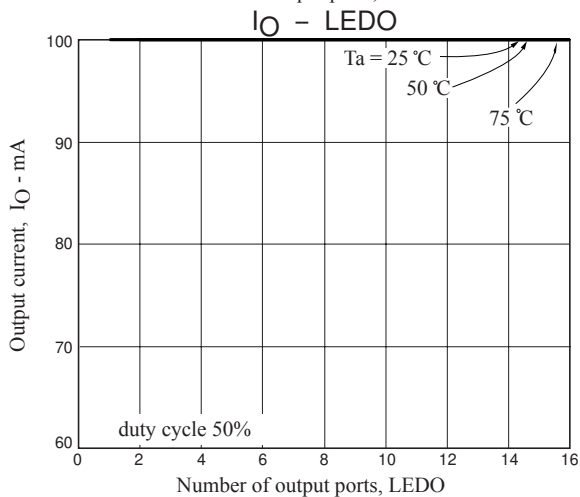
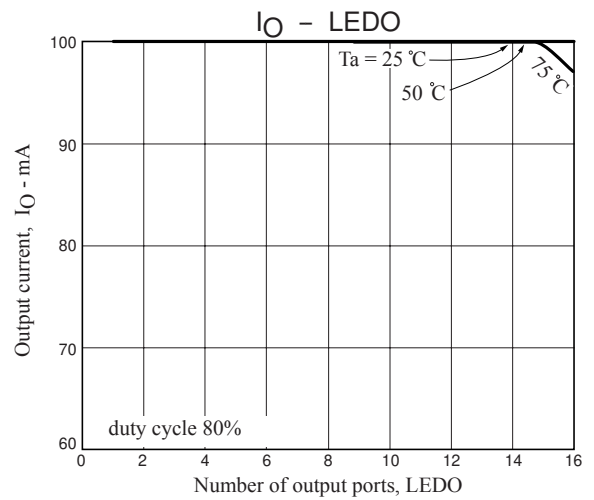
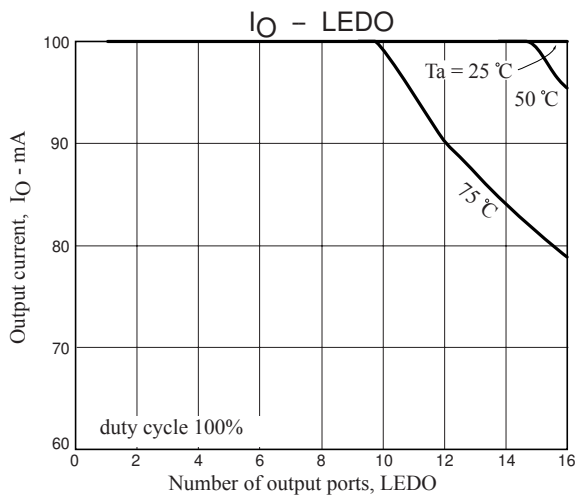
Parameter	symbol	Conditions	min	typ	max	unit
LEDO delay time 1	tdled1	The time from an XEN rising edge to LEDO rising edge CL = 30pF, I _O = 100mA, V _O = 42V		100		ns
LEDO delay time 2	tdled2	The time from an XEN falling edge to LEDO falling edge CL = 30pF, I _O = 100mA, V _O = 42V		100		ns
LEDO rise time	trled	LEDO rise time CL = 30pF, I _O = 100mA, V _O = 42V		200		ns
LEDO fall time	tfled	LEDO fall time CL = 30pF, I _O = 100mA, V _O = 42V		200		ns
LEDO delay time 3	tdled3	The time from a LATCH rising edge to LEDO falling edge CL = 30pF, I _O = 100mA, V _O = 42V		200		ns



Application Circuit Example



Temperature properties graph



LV5232VH

ORDERING INFORMATION

Device	Package	Shipping (Qty / Packing)
LV5232VH-TLM-H	HSOP28 (275mil) (Pb-Free / Halogen Free)	2000 / Tape & Reel
LV5232VH-MPB-H	HSOP28 (275mil) (Pb-Free / Halogen Free)	30 / Fan-Fold

ON Semiconductor and the ON logo are registered trademarks of Semiconductor Components Industries, LLC (SCILLC). SCILLC owns the rights to a number of patents, trademarks, copyrights, trade secrets, and other intellectual property. A listing of SCILLC's product/patent coverage may be accessed at www.onsemi.com/site/pdf/Patent-Marking.pdf. SCILLC reserves the right to make changes without further notice to any products herein. SCILLC makes no warranty, representation or guarantee regarding the suitability of its products for any particular purpose, nor does SCILLC assume any liability arising out of the application or use of any product or circuit, and specifically disclaims any and all liability, including without limitation special, consequential or incidental damages. "Typical" parameters which may be provided in SCILLC data sheets and/or specifications can and do vary in different applications and actual performance may vary over time. All operating parameters, including "Typicals" must be validated for each customer application by customer's technical experts. SCILLC does not convey any license under its patent rights nor the rights of others. SCILLC products are not designed, intended, or authorized for use as components in systems intended for surgical implant into the body, or other applications intended to support or sustain life, or for any other application in which the failure of the SCILLC product could create a situation where personal injury or death may occur. Should Buyer purchase or use SCILLC products for any such unintended or unauthorized application, Buyer shall indemnify and hold SCILLC and its officers, employees, subsidiaries, affiliates, and distributors harmless against all claims, costs, damages, and expenses, and reasonable attorney fees arising out of, directly or indirectly, any claim of personal injury or death associated with such unintended or unauthorized use, even if such claim alleges that SCILLC was negligent regarding the design or manufacture of the part. SCILLC is an Equal Opportunity/Affirmative Action Employer. This literature is subject to all applicable copyright laws and is not for resale in any manner.