



Chipsmall Limited consists of a professional team with an average of over 10 year of expertise in the distribution of electronic components. Based in Hongkong, we have already established firm and mutual-benefit business relationships with customers from,Europe,America and south Asia,supplying obsolete and hard-to-find components to meet their specific needs.

With the principle of “Quality Parts,Customers Priority,Honest Operation,and Considerate Service”,our business mainly focus on the distribution of electronic components. Line cards we deal with include Microchip,ALPS,ROHM,Xilinx,Pulse,ON,Everlight and Freescale. Main products comprise IC,Modules,Potentiometer,IC Socket,Relay,Connector.Our parts cover such applications as commercial,industrial, and automotives areas.

We are looking forward to setting up business relationship with you and hope to provide you with the best service and solution. Let us make a better world for our industry!



Contact us

Tel: +86-755-8981 8866 Fax: +86-755-8427 6832

Email & Skype: info@chipsmall.com Web: www.chipsmall.com

Address: A1208, Overseas Decoration Building, #122 Zhenhua RD., Futian, Shenzhen, China





ON Semiconductor®

<http://onsemi.com>

LV8019LP

Bi-CMOS IC Forward/Reverse Motor Driver

Overview

The LV8019LP is a forward/reverse motor driver.

Features

- One H-bridge driver channel
- Provides a constant current output
- Built-in thermal shutdown circuit

Specifications

Maximum Ratings at $T_a = 25^\circ\text{C}$ and $\text{SGND} = \text{PGND} = 0\text{V}$

Parameter	Symbol	Conditions	Ratings	Unit
Output block supply voltage	V_M max		-0.5 to 8.4	V
Control block supply voltage	V_{CC} max		-0.5 to 7.0	V
Constant current output block supply voltage	V_{RG} max		-0.5 to 6.0	V
Maximum output current	I_O max		1.2	A
	I_O peak1	$t \leq 200\text{ms}$, $f = 2\text{Hz}$	3	A
	I_O peak2	$t \leq 10\text{ms}$, $f = 2\text{Hz}$	5	A
Input signal voltage	V_{IN} max		-0.5 to $V_{CC}+0.5$	A
Allowable power dissipation	P_d max1	Independent IC	0.2	W
	P_d max2	When mounted on a circuit board *1	1.05	W
Operating temperature	T_{opr}		-30 to +85	$^\circ\text{C}$
Storage temperature	T_{stg}		-55 to +150	$^\circ\text{C}$

* : Specified substrate : $40 \times 50 \times 0.8\text{mm}^3$, glass epoxy four-layer (2S2P) board

Stresses exceeding Maximum Ratings may damage the device. Maximum Ratings are stress ratings only. Functional operation above the Recommended Operating Conditions is not implied. Extended exposure to stresses above the Recommended Operating Conditions may affect device reliability.

LV8019LP

Recommended Operating Conditions at Ta = 25°C and SGND = PGND = 0V

Parameter	Symbol	Conditions	Ratings	Unit
Output block supply voltage	VM		3.0 to 7.4	V
Control block supply voltage	V _{CC}		2.7 to 6.0	V
Constant current output block supply voltage	VRGIN		1.5 to V _{CC}	V
Input signal voltage	V _{IN}		0 to V _{CC}	V
Maximum input signal frequency	f _{max}	Duty = 50%	100	kHz

Electrical Characteristics Ta = 25°C, V_{CC} = VM = 5V, and SGND = PGND = 0V unless otherwise specified.

Parameter	Symbol	Conditions	Ratings			Unit
			min	typ	max	
Standby mode output block current consumption	IMO	EN = 0V, IN1 = IN2 = ICTRL = 0V			1.0	μA
Control block current consumption	Standby mode	I _{CCO}	EN = 0V, IN1 = IN2 = ICTRL = 0V	0	1.0	μA
	Operation mode	I _{CC}	EN = 5V	0.8	1.3	mA
High-level input voltage	V _{INH}	IN*	2.5		V _{CC}	V
Low-level input voltage	V _{INL}	IN*	0		0.8	V
High-level input current	I _{INH}	IN*			1.0	μA
Low-level input current	I _{INL}	IN*	-1.0			μA
High-level EN pin current	I _{ENH}	EN	15	25	35	μA
Low-level EN pin current	I _{ENL}	EN			1.0	μA
Output on resistance	1	R _{ON1}	VM = 5V, sink + source	0.30	0.40	Ω
	2	R _{ON2}	VM = 3V, sink + source	0.45	0.60	Ω
ISET setting resistance	RSET	Between ISET pin and SGND	80			Ω
ISET pin voltage	VISET	RSET > 80Ω	0.90	1.05	1.20	V
CC pin output saturation voltage	VCSAT	RSET = 150Ω *1			1.5	V
CC pin output leakage current	ICONL	CTRL = 0V			1.0	μA
Low voltage shutdown operation voltage	VLVD	V _{CC} pin voltage detection	2.10	2.35	2.60	V
High-level output turn-on time	TOH	The transition from 10% to 90% of the output amplitude *2		0.1	1.0	μs
Low-level output turn-on time	TOL	The transition from 90% to 10% of the output amplitude *2		0.2	2.0	μs
Thermal shutdown temperature	TSD	*2	150	180		°C
Thermal shutdown hysteresis	ΔTSD	*2		40		°C

*1 : Voltage between CC pin and ISET pin

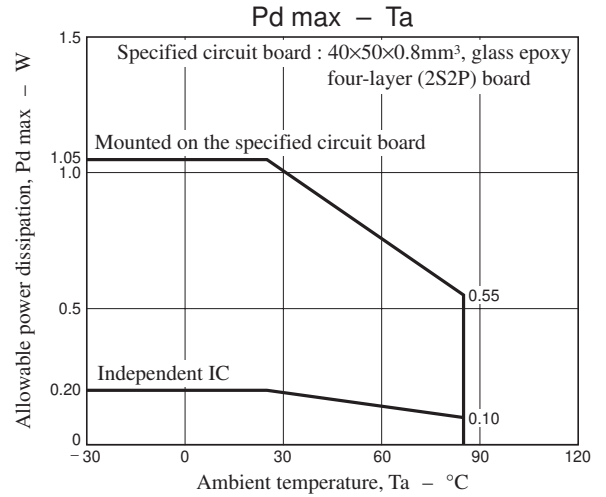
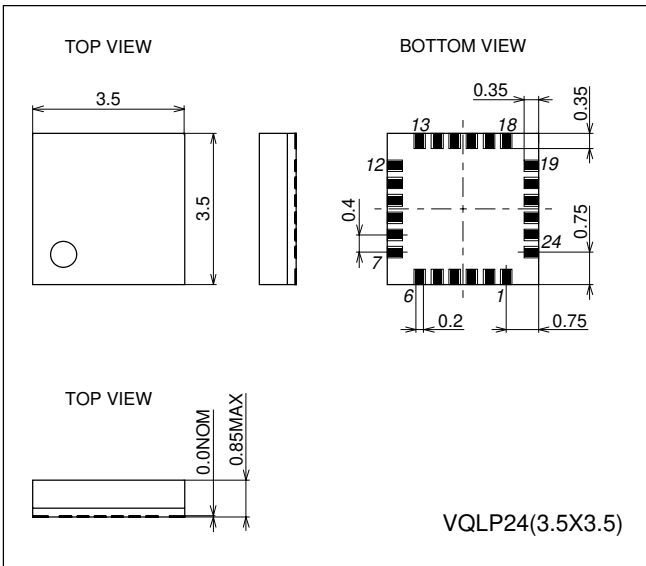
*2 : Design guarantee: These characteristics are not measured.

LV8019LP

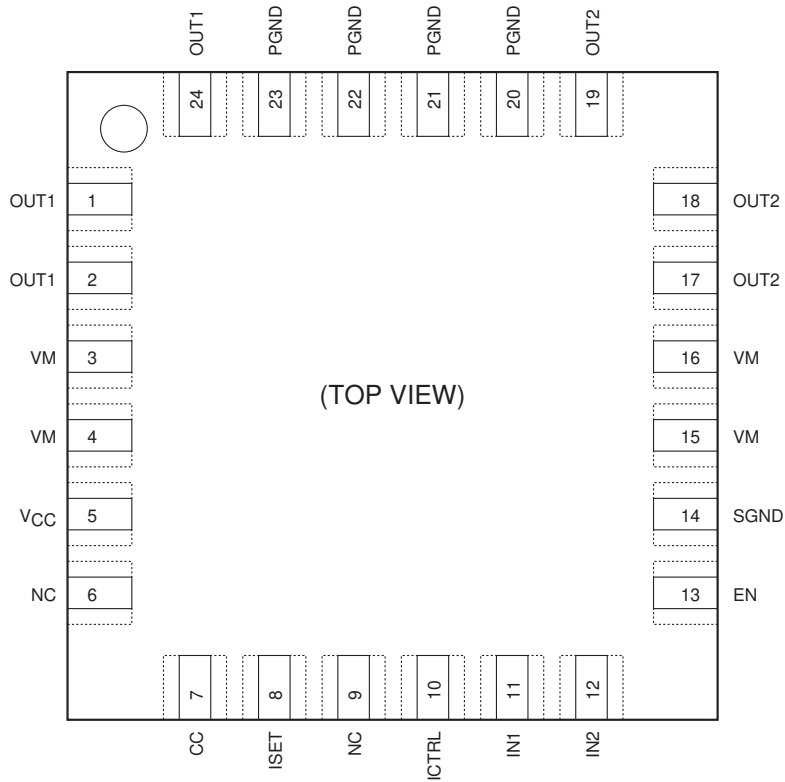
Package Dimensions

unit : mm (typ)

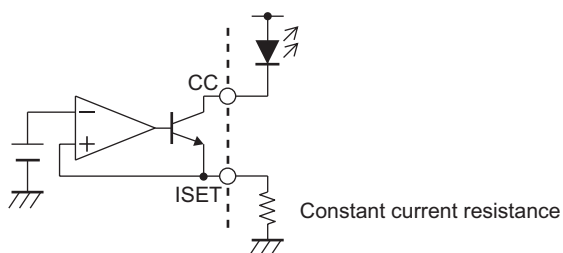
3321



Pin Assignment

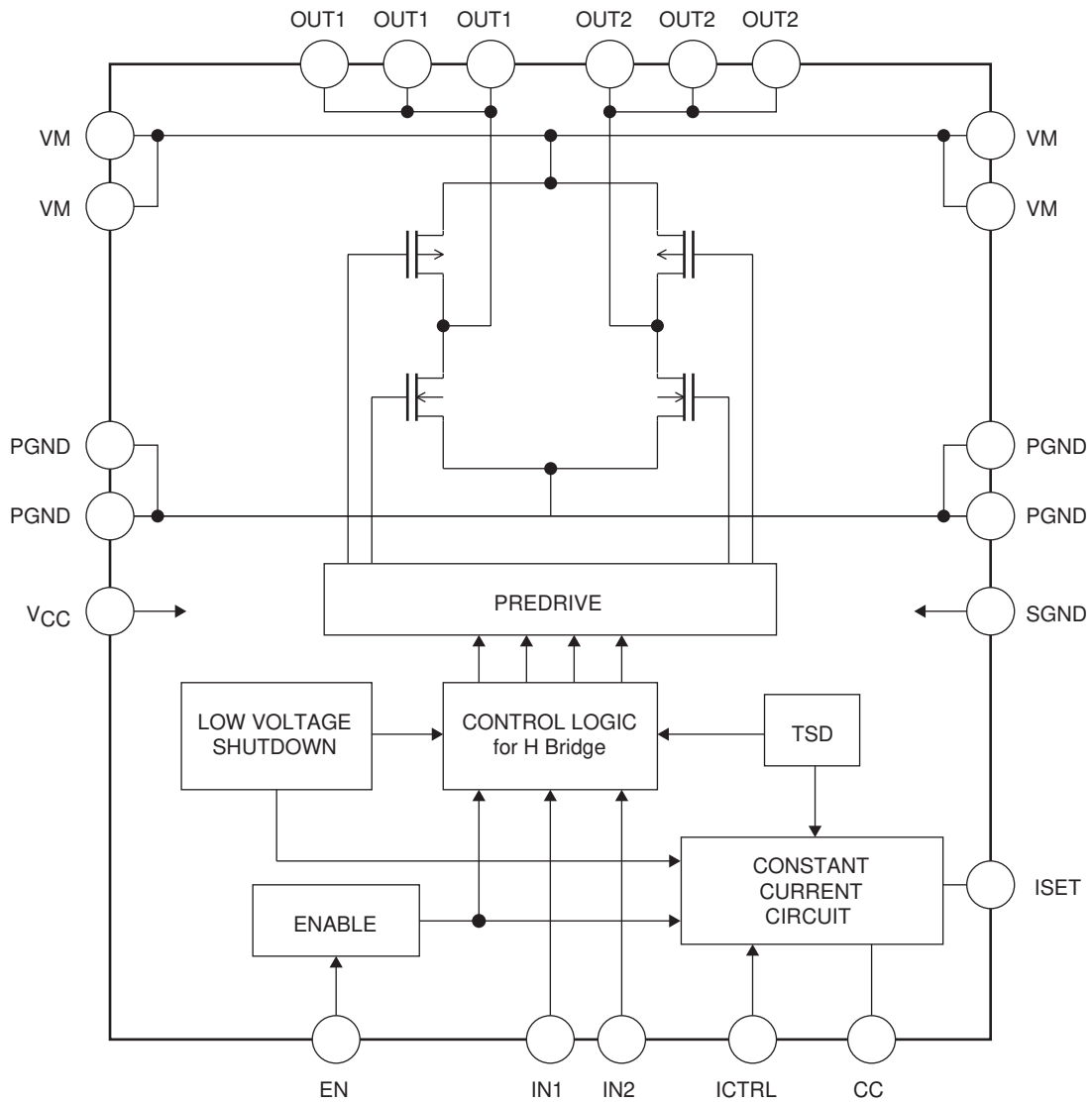


Constant current output



LV8019LP

Block Diagram



Truth Table

EN	IN1	IN2	CTRL	OUT1	OUT2	CC	Mode
H	H	H	X	L	L	X	Break
H	H	L	X	H	L	X	Forward
H	L	H	X	L	H	X	Reverse
H	L	L	X	Z	Z	X	Standby
L	X	X	X	L	L	L	Standby
H	X	X	L	X	X	Z	Constant current output off
H	X	X	H	X	X	ON	Constant current output on

H : High level
 L : Low level
 Z : Hi-impedance
 X : Don't care

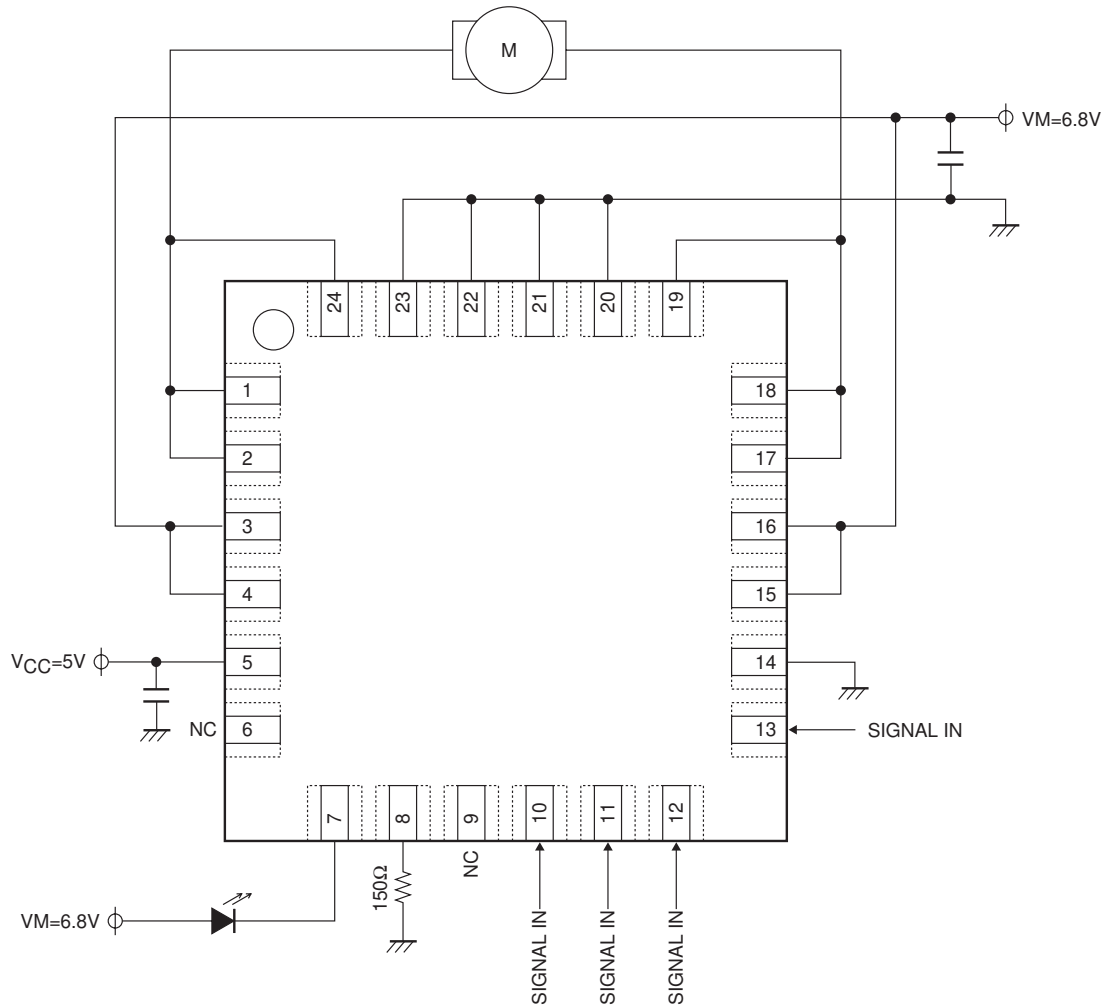
LV8019LP

Pin Functions

Pin No.	Pin	Description	Equivalent circuit
11 12	IN1 IN2	Logic input 1 Logic input 2 The output is set by the combination of the input 1 and 2 states. See the truth table for details.	
10	ICTRL	Controls the output on/off state of the constant current block.	
13	EN	EN pin Controls the on/off state of the H-bridge output (OUT1 and OUT2) and the constant current output. See the truth table for details.	
1, 2, 24, 17, 18, 19	OUT1 OUT2	Output 1 Output 2 The source side is a p-channel transistor and sink side is an n-channel transistor.	
7 8	CC ISET	Constant current output Constant current setting The output current (CC) is set by connecting a resistor between the ISET pin and ground.	
5	VCC	Signal system power supply	
3, 4, 15, 16	VM	Power system power supply	
14	SGND	Signal system ground	
21, 22, 23	PGND	Power system ground	

LV8019LP

Application Example



ON Semiconductor and the ON logo are registered trademarks of Semiconductor Components Industries, LLC (SCILLC). SCILLC owns the rights to a number of patents, trademarks, copyrights, trade secrets, and other intellectual property. A listing of SCILLC's product/patent coverage may be accessed at www.onsemi.com/site/pdf/Patent-Marking.pdf. SCILLC reserves the right to make changes without further notice to any products herein. SCILLC makes no warranty, representation or guarantee regarding the suitability of its products for any particular purpose, nor does SCILLC assume any liability arising out of the application or use of any product or circuit, and specifically disclaims any and all liability, including without limitation special, consequential or incidental damages. "Typical" parameters which may be provided in SCILLC data sheets and/or specifications can and do vary in different applications and actual performance may vary over time. All operating parameters, including "Typicals" must be validated for each customer application by customer's technical experts. SCILLC does not convey any license under its patent rights nor the rights of others. SCILLC products are not designed, intended, or authorized for use as components in systems intended for surgical implant into the body, or other applications intended to support or sustain life, or for any other application in which the failure of the SCILLC product could create a situation where personal injury or death may occur. Should Buyer purchase or use SCILLC products for any such unintended or unauthorized application, Buyer shall indemnify and hold SCILLC and its officers, employees, subsidiaries, affiliates, and distributors harmless against all claims, costs, damages, and expenses, and reasonable attorney fees arising out of, directly or indirectly, any claim of personal injury or death associated with such unintended or unauthorized use, even if such claim alleges that SCILLC was negligent regarding the design or manufacture of the part. SCILLC is an Equal Opportunity/Affirmative Action Employer. This literature is subject to all applicable copyright laws and is not for resale in any manner.