



Chipsmall Limited consists of a professional team with an average of over 10 year of expertise in the distribution of electronic components. Based in Hongkong, we have already established firm and mutual-benefit business relationships with customers from,Europe,America and south Asia,supplying obsolete and hard-to-find components to meet their specific needs.

With the principle of "Quality Parts,Customers Priority,Honest Operation,and Considerate Service",our business mainly focus on the distribution of electronic components. Line cards we deal with include Microchip,ALPS,ROHM,Xilinx,Pulse,ON,Everlight and Freescale. Main products comprise IC,Modules,Potentiometer,IC Socket,Relay,Connector.Our parts cover such applications as commercial,industrial, and automotives areas.

We are looking forward to setting up business relationship with you and hope to provide you with the best service and solution. Let us make a better world for our industry!



## Contact us

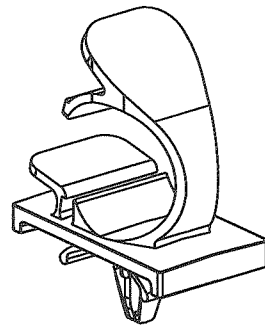
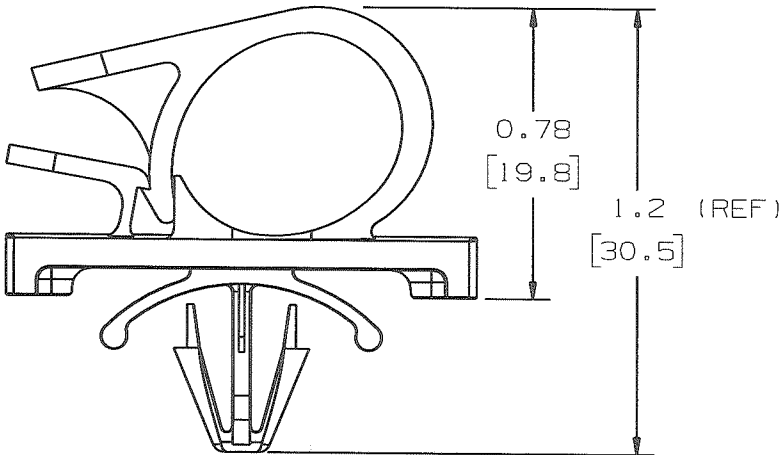
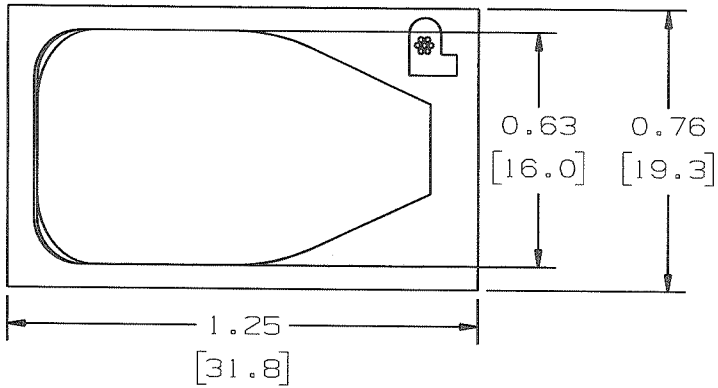
Tel: +86-755-8981 8866 Fax: +86-755-8427 6832

Email & Skype: info@chipsmall.com Web: www.chipsmall.com

Address: A1208, Overseas Decoration Building, #122 Zhenhua RD., Futian, Shenzhen, China



THIS COPY IS PROVIDED ON A RESTRICTED BASIS AND IS NOT TO BE USED IN ANY WAY DETRIMENTAL TO THE INTERESTS OF PANDUIT CORP.



SCALE: FULL

| PANDUIT PART NUMBER* | MAXIMUM CABLE DIA.<br>in. (mm) | WEIGHT<br>lbs. (g)/100pcs | HOLE SIZE<br>DIA. RANGE | PANEL THK.<br>RANGE      |
|----------------------|--------------------------------|---------------------------|-------------------------|--------------------------|
| LWC50H25             | 0.50<br>[12.7]                 | 0.86<br>[392]             | 3/16"-1/4"<br>[5-6]     | 0.025-0.105<br>[0.6-2.7] |

NOTES:  
\* 1) SEE CURRENT PRICE SHEET FOR PART NUMBER SUFFIX DESIGNATION, FOR PACKAGE SIZE.

DIMENSIONS IN BRACKETS ARE METRIC [mm]

CAD FILENAME/LAYERS  
G0359760\_DC\_GB0167BA/00B

**PANDUIT** CORP. TINLEY PARK, ILLINOIS

LWC50H25  
LATCHING WIRE CLIP

| REV | DATE     | BY  | CHK       | DESCRIPTION                               | ECN      | R   | CUST       | SUP |
|-----|----------|-----|-----------|---|----------|-----|------------|-----|
| 00B | 04/13/09 | GDH | <i>DK</i> | UPDATED PANEL THICKNESS RANGE CONVERSION  | GB0167BA | 00B | <i>KLN</i> |     |
| 2   | 01/04/99 | DWP |           | CHANGED OVERALL HEIGHT DIM. TO REF.       | GB0167BA | 2   |            |     |
| 1   | 10/20/95 | CBJ |           | REVISED HOLE SIZE & PANEL THICKNESS RANGE | GB0167BA | 1   |            |     |
| R   | 7/27/93  | KLN |           | INITIAL RELEASE                           | GB0167BA | R   |            |     |

UNLESS OTHERWISE SPECIFIED,  
DIMENSIONAL TOLERANCES ARE:  
(.X) ±0.05 (1.3) (.XXX) ±0.010 (0.25)  
(.XX) ±0.02 (0.5) ANGLES ±5°

UNLESS OTHERWISE SPECIFIED,  
ALL DIMENSIONS ARE GIVEN  
IN INCHES, THIRD ANGLE PROJECTION.

DRAWN BY KLN

MAT'L:

SCALE 2X

DATE 7/27/93

NYLON 6/6

DRAWING NO.

GB0167BA

DRG

A  
SIZE

CHK'D *KLN*