



Chipsmall Limited consists of a professional team with an average of over 10 year of expertise in the distribution of electronic components. Based in Hongkong, we have already established firm and mutual-benefit business relationships with customers from,Europe,America and south Asia,supplying obsolete and hard-to-find components to meet their specific needs.

With the principle of “Quality Parts,Customers Priority,Honest Operation,and Considerate Service”,our business mainly focus on the distribution of electronic components. Line cards we deal with include Microchip,ALPS,ROHM,Xilinx,Pulse,ON,Everlight and Freescale. Main products comprise IC,Modules,Potentiometer,IC Socket,Relay,Connector.Our parts cover such applications as commercial,industrial, and automotives areas.

We are looking forward to setting up business relationship with you and hope to provide you with the best service and solution. Let us make a better world for our industry!



Contact us

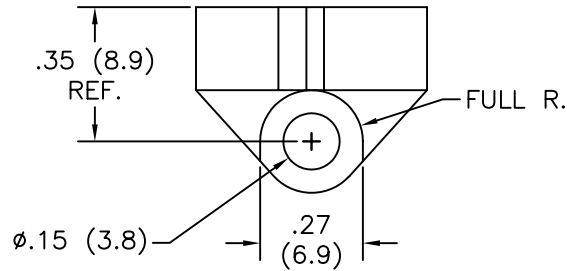
Tel: +86-755-8981 8866 Fax: +86-755-8427 6832

Email & Skype: info@chipsmall.com Web: www.chipsmall.com

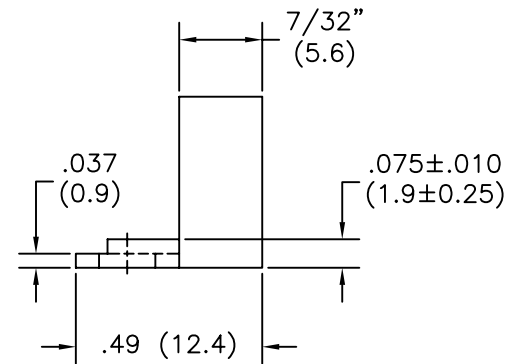
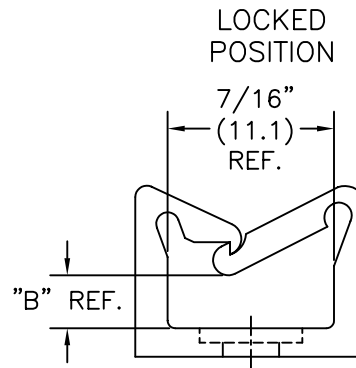
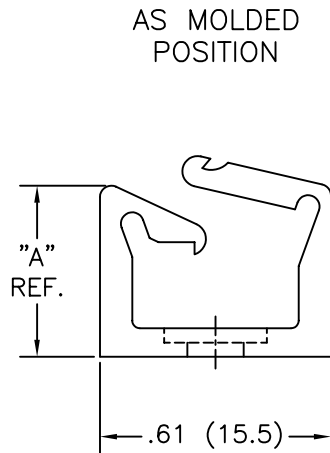
Address: A1208, Overseas Decoration Building, #122 Zhenhua RD., Futian, Shenzhen, China



PART NO.	DIM. "A"	DIM. "B"
LWS-SR-1-01	.45 (11.4)	.14 (3.6)
LWS-SR-2-01	.65 (16.5)	.34 (8.6)
LWS-SR-3-01	1.03 (26.2)	.72 (18.3)
LWS-SR-4-01	1.31 (33.3)	1.00 (25.4)



USE RICHCO RIVET NO.	FOR CHASSIS THICKNESS
SR-3535	.010-.046 (0.3-1.2)
SR-3545	.046-.081 (1.2-2.1)
SR-3550	.069-.105 (1.8-2.7)
SR-3555	.081-.120 (2.1-3.0)
SR-3560	.109-.144 (2.8-3.7)
SR-3570	.140-.180 (3.6-4.6)
SR-3580	.180-.219 (4.6-5.6)



NOTES:

1. MATERIAL: NYLON 6/6 (RMS-01).
COLOR: NATURAL.
2. FLAME RETARDANT, NYLON (RMS-19).
COLOR: NATURAL.
AVAILABLE BY SPECIAL ORDER ONLY.

TITLE: LOCKING WIRE SADDLE, SNAP-RIVET				DWG IN IN (MM)		PRELIMINARY	
TOLERANCES UNLESS NOTED .XX=±.010 .XXX=±.005 FRAC=±1/64 ANG=±1/2°		FILE # LWSSR	DWN: R.T.	APP:	PART #		PRINT TYPE
		MAT'L: SEE NOTES	DT: 07/17/01	DT:	SEE TABLE		CA
		RE: RICHCO, INC.	RICHCO INC. PO BOX 804238, CHICAGO, 60680 (773) 539-4060				

REV	DESCRIPTION	ENGR	DATE