



Chipsmall Limited consists of a professional team with an average of over 10 year of expertise in the distribution of electronic components. Based in Hongkong, we have already established firm and mutual-benefit business relationships with customers from,Europe,America and south Asia,supplying obsolete and hard-to-find components to meet their specific needs.

With the principle of “Quality Parts,Customers Priority,Honest Operation,and Considerate Service”,our business mainly focus on the distribution of electronic components. Line cards we deal with include Microchip,ALPS,ROHM,Xilinx,Pulse,ON,Everlight and Freescale. Main products comprise IC,Modules,Potentiometer,IC Socket,Relay,Connector.Our parts cover such applications as commercial,industrial, and automotives areas.

We are looking forward to setting up business relationship with you and hope to provide you with the best service and solution. Let us make a better world for our industry!



Contact us

Tel: +86-755-8981 8866 Fax: +86-755-8427 6832

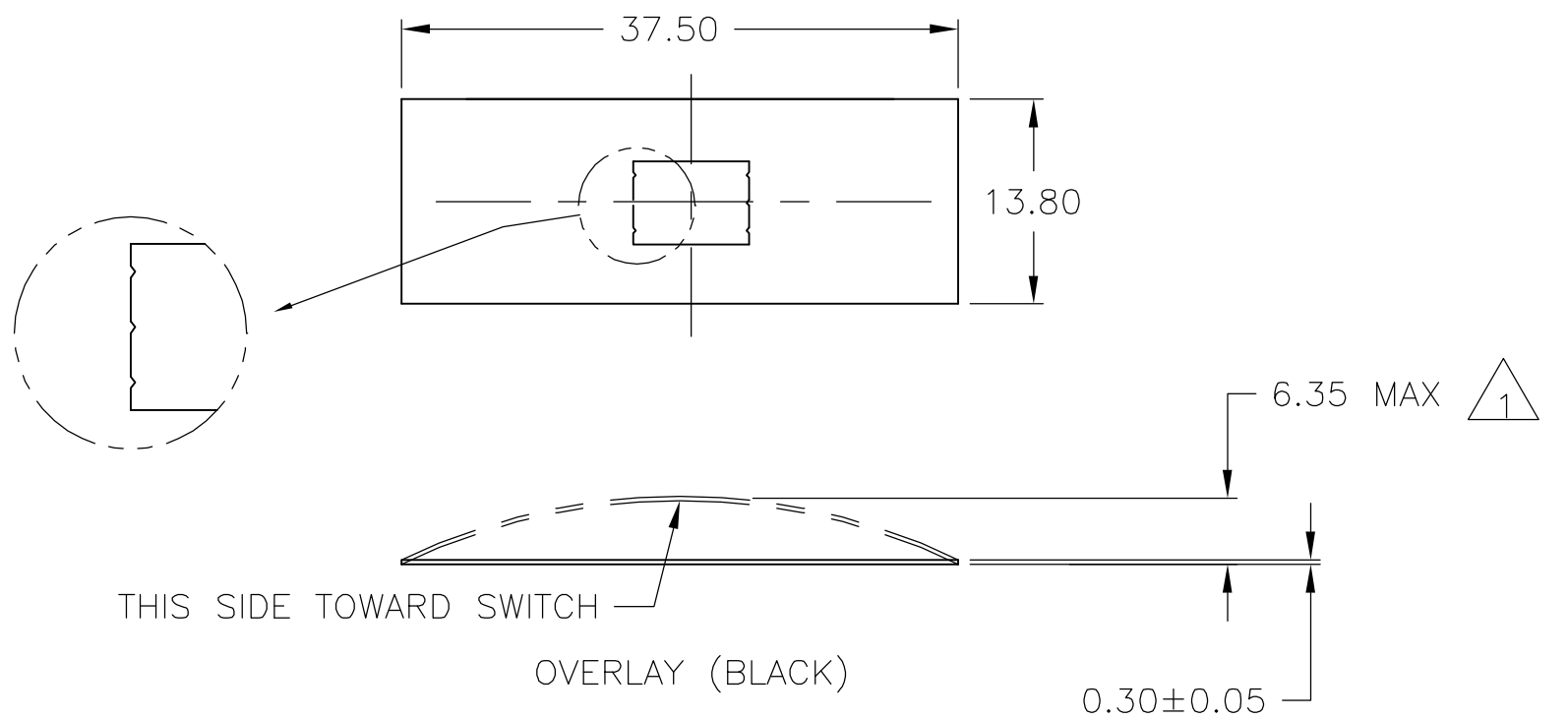
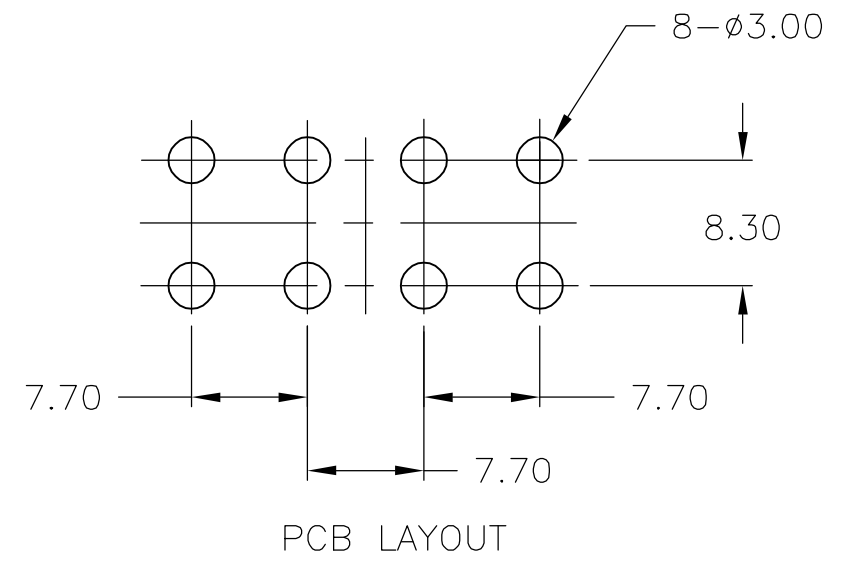
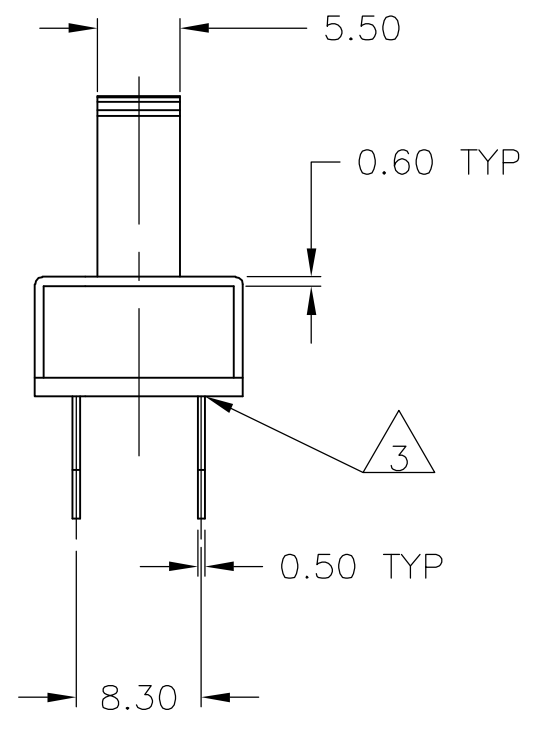
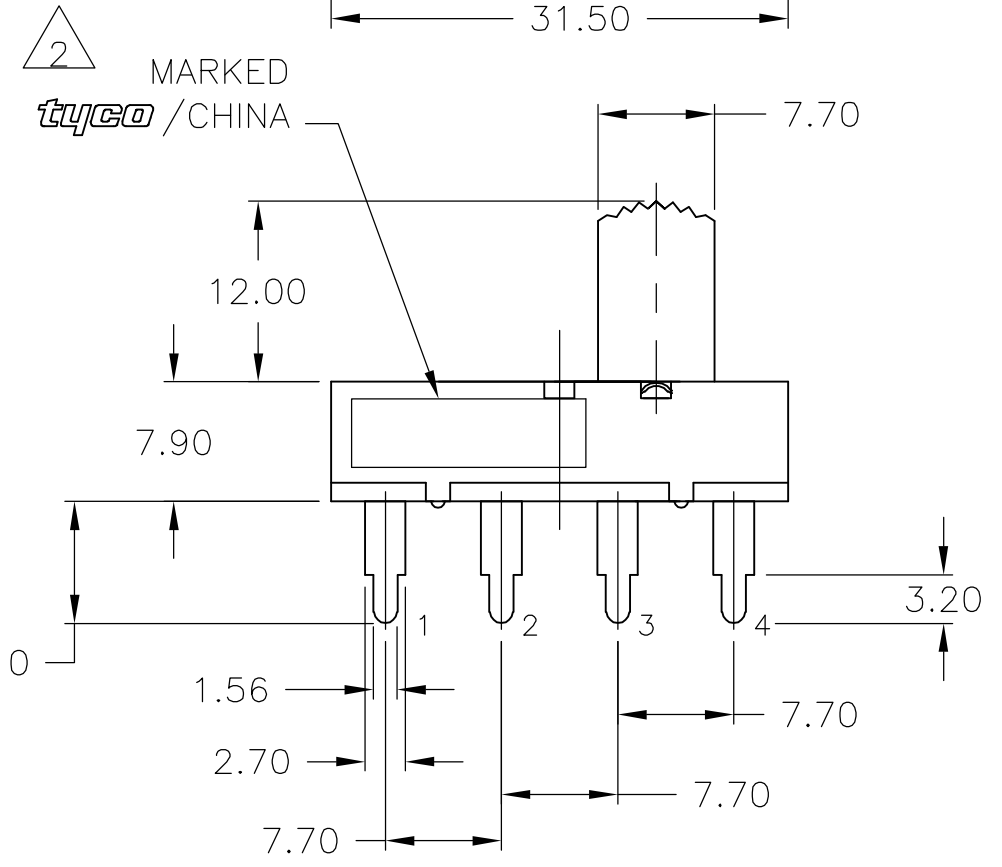
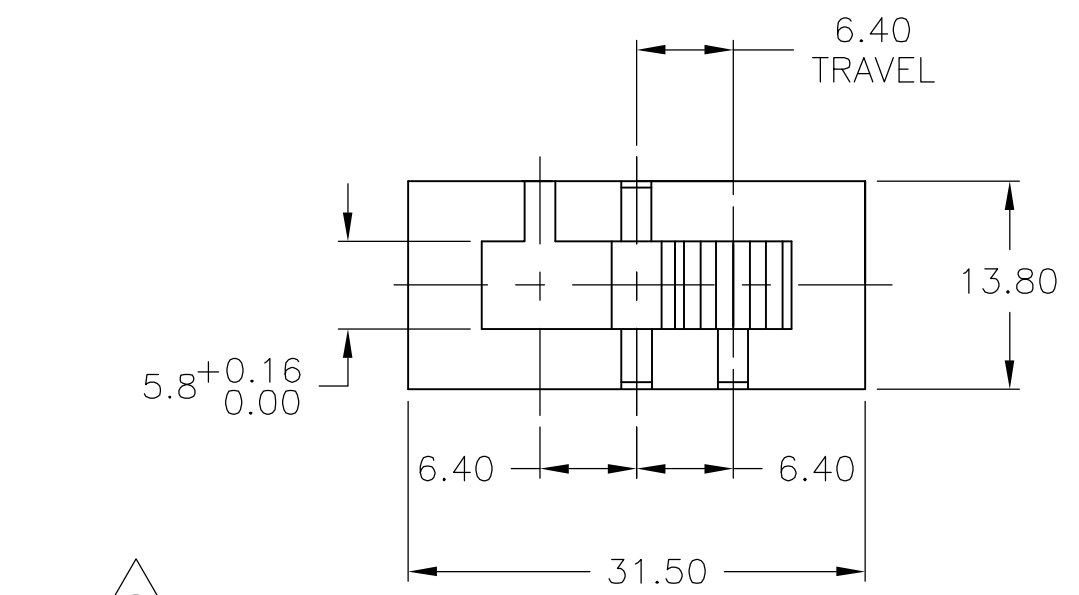
Email & Skype: info@chipsmall.com Web: www.chipsmall.com

Address: A1208, Overseas Decoration Building, #122 Zhenhua RD., Futian, Shenzhen, China



THIS DRAWING IS UNPUBLISHED. RELEASED FOR PUBLICATION
 © COPYRIGHT BY TYCO ELECTRONICS CORPORATION. ALL RIGHTS RESERVED.

LOC	DIST	REVISIONS			
P	LTR	DESCRIPTION	DATE	DWN	APVD
AD	00	G	0G3C-0159-05	26AUG05	RB MS



Specifications:
 Double Pole Three Throw
 Break-Before-Make

Materials:
 Actuator, Nylon, UL94-V2
 Board, Phenolic Laminated Sheet, UL94-V2
 Frame, Steel, Nickel plate
 Terminal, Copper Alloy, Silver over Nickel plate
 Contact Clip, Copper Alloy, Silver over Nickel plate
 Seal, Epoxy
 Overlay, PVC, Black
 Spring, Stainless Steel

Electrical:
 Maximum Contact Rating, 4A@ 14 V DC, Per EIA-448, Method 6
 Minimum Contact rating 1milliamp@ 5V DC
 Initial Contact resistance, 30 milliohms max, Per EIA-364-23B, each position
 Insulation Resistance, 500 Megohm @ 500V DC, Per EIA-364-21C each position
 Dielectric strength, 1200 V AC, Per EIA-364-20B, Condition 1, each position.

Mechanical:
 Actuation force, 400+/-200 GF
 Actuation Travel, 6.40mm
 Life Expectancy, 10,000 cycles, Per EIA-448, Method 8 and 9
 Vibration, Per EIA 364-28, Condition VII, Level E
 Mechanical Shock, Per EIA-364-27, Condition A

Environmental:
 Operating Temperature, -20 to +65 degrees C, Per EIA 448, Method 10
 Storage Temperature, -25 to +70 degrees C
 Humidity and Temperature Cycling Per EIA-364-31B, Method III
 Temperature Life Per EIA-364-17B, Method B, Temperature Test Condition 3, Time Condition B
 Thermal Shock, Per EIA-364-32C, -25 to 70 degrees C
 Solderability, Per EIA-364-52, Class 2, Category 1, 95% Minimum coverage
 Resistance to Solder Heat, Per EIA-364-56A, Procedure 3, Condition B

- △1 6.35 MAX PERMISSIBLE BOW ALLOWED, BUT MUST BE ASSEMBLED WITH CONCAVE SIDE OF BOW TOWARD SWITCH.
- △2 Mark per 202-37 specification, *tyco*/CHINA minimum requirement.
- △3 Anti Solder Wick Seal at Terminal to Board Interface.

1571601-1	SILVER	4 TO 3	3 TO 2	2 TO 1
TYCO PART NO	PLATING			
TERMINALS CONNECTED WHEN SLIDE IS IN POSITION SHOWN				

THIS DRAWING IS A CONTROLLED DOCUMENT.		DWN BSV	08JAN04	tyco Tyco Electronics Corporation	
DIMENSIONS: mm		CHK -	APVD M S S	Harrisburg, Pa 17105-3608	
TOLERANCES UNLESS OTHERWISE SPECIFIED:		PRODUCT SPEC	APPLICATION SPEC	NAME SLIDE SWITCH	
0 PLC ± -	1 PLC ± -	WEIGHT -		SIZE A2	CAGE CODE 00779
2 PLC ± 0.20	3 PLC ± -	FINISH -		DRAWING NO C=1571601	RESTRICTED TO -
4 PLC ± -	ANGLES ± 3'	CUSTOMER DRAWING		SCALE 1:1	SHEET 1 OF 1
				REV G	