



Chipsmall Limited consists of a professional team with an average of over 10 year of expertise in the distribution of electronic components. Based in Hongkong, we have already established firm and mutual-benefit business relationships with customers from,Europe,America and south Asia,supplying obsolete and hard-to-find components to meet their specific needs.

With the principle of “Quality Parts,Customers Priority,Honest Operation,and Considerate Service”,our business mainly focus on the distribution of electronic components. Line cards we deal with include Microchip,ALPS,ROHM,Xilinx,Pulse,ON,Everlight and Freescale. Main products comprise IC,Modules,Potentiometer,IC Socket,Relay,Connector.Our parts cover such applications as commercial,industrial, and automotives areas.

We are looking forward to setting up business relationship with you and hope to provide you with the best service and solution. Let us make a better world for our industry!



Contact us

Tel: +86-755-8981 8866 Fax: +86-755-8427 6832

Email & Skype: info@chipsmall.com Web: www.chipsmall.com

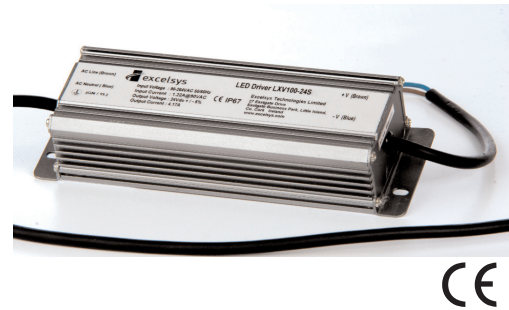
Address: A1208, Overseas Decoration Building, #122 Zhenhua RD., Futian, Shenzhen, China



LXC60 series

LED Power Supply

Constant Current Power Supplies



LED Power
60W

LED POWER

next generation power source

FEATURES

- High Efficiency (up to 91%)
- Constant Output Current
- Active PFC (Typical 0.99)
- IP67 Waterproof
- OVP, SCP
- -35 to 70°C deg operation
- Universal Input 90-305VAC
- UL8750 compliant
- EN61347-1, -2-13 compliant

The LXC60 series of constant current LED power supplies from Excelsys Technologies can deliver up to 60W of output power in an extremely compact package size.

The LXC60 series of constant current power supplies provides up to 5000mA of output current and 170V output voltage solutions for specific LED requirements. With industry leading efficiencies, and an extensive protection feature set, the LXC60 series provides high reliability and high performance in a compact package.

Model Number	Output Voltage	Output Current	Input Voltage	OVP Latching max	Efficiency
LXC60-0350SW	85-170V	350mA	90-305VAC	215V	91.0%
LXC60-0450SW	67-134V	450mA	90-305VAC	160V	91.0%
LXC60-0700SW	43-86V	700mA	90-305VAC	102V	91.0%
LXC60-1050SW	29-58V	1050mA	90-305VAC	70V	90.0%
LXC60-1400SW ⁽³⁾	21-43V	1400mA	90-305VAC	55V	90.0%
LXC60-1700SW ⁽³⁾	18-36V	1700mA	90-305VAC	45V	90.0%
LXC60-2300SW ⁽³⁾	13-27V	2300mA	90-305VAC	38V	89.0%
LXC60-3300SW ⁽³⁾	9-18V	3300mA	90-305VAC	25V	88.0%
LXC60-5000SW ⁽³⁾	6-12V	5000mA	90-305VAC	17V	87.0%

Input Specifications					
Parameter	Conditions/Description	Min	Nom	Max	Units
Input Voltage Range	Universal Input	90		305	VAC
Input Frequency Range		47		63	Hz
Input Current	100VAC in, 75W output			0.8	A
Inrush Current	230VAC in, 25°C, Cold Start			50	A
Power Factor	220VAC, 110VAC	0.96		0.99	
Output Specifications					
Parameter	Conditions/Description	Min	Nom	Max	Units
Line Regulation				±1	%
Load Regulation				±3	%
Voltage Range	See table of outputs				
Output Current Range	% of Iout			±5	%
Ripple and Noise	20MHz Bandwidth. See Note 1			5.0	% pk-pk
Overshoot				10	%
Turn-on Delay	Measured at 220VAC and full load			0.6	s
Short Circuit Protection	Auto Recovery				
Over Voltage Protection	Latching. See individual models OVP levels				
General Specifications					
Parameter	Conditions/Description	Min	Nom	Max	Units
Isolation Voltage	Input to Output See Note 2 Input to Chassis	3000 1500			VAC VAC
Efficiency	See individual models		90		%
Safety Agency Approvals	UL8750, EN61347-1, -2-13, UL1310 Note 3				
MTBF	MIL HDBK 217F, 110VAC Input, 80% load, 25°C		546,000		Hours
Lifetime	110VAC Input, 80% load, 45°C		80,000		Hours
Weight			750		g
Operating Temperature		-35		+70	°C
Storage Temperature		-40		+85	°C
Relative Humidity	Non-condensing (operating)	10		100	%RH

Note 1. Output connected in parallel with 0.1uF ceramic capacitor and 10uF electrolytic capacitor.

Note 2. Primary to Secondary Isolation test not to be carried out on power supply.

Note 3. UL1310 Class 2 outputs for US and Canada except LXC60-1400SW and LXC60-1700SW which are Class 2 in US only



Europe/Asia

Excelsys Technologies Ltd
27 Eastgate Drive
Eastgate Business Park
Little Island, Cork, Ireland
IRELAND

t: +353 21 4354716
f: +353 21 4354864

e: sales@excelsys.com

North America

Excelsys Technologies
519 Interstate 30, #309
Rockwall, TX 75087
USA

t: (972) 771 4544
f: (972) 421 1805

e: salesusa@excelsys.com

LED Power
60W

EMC				
Parameter	Standard		Level	Units
Emissions				
Conducted	EN55015		Compliant	
Radiated	EN55015		Compliant	
Harmonic Distortion	EN61000-3-2		Compliant	
Flicker and Fluctuation	EN61000-3-3		Compliant	
Immunity				
ESD	EN61000-4-2		Level 4	
Radiated RFI	EN61000-4-3		Level 3	
Fast Transients - burst	EN61000-4-4		Level 4	
Surge Immunity	EN61000-4-5		Level 4	
Conducted RFI	EN61000-4-6		Compliant	
Power Freq Magnetic Field	EN61000-4-8		Compliant	
Voltage Dips	EN61000-4-11			

INPUT / OUTPUT WIRING

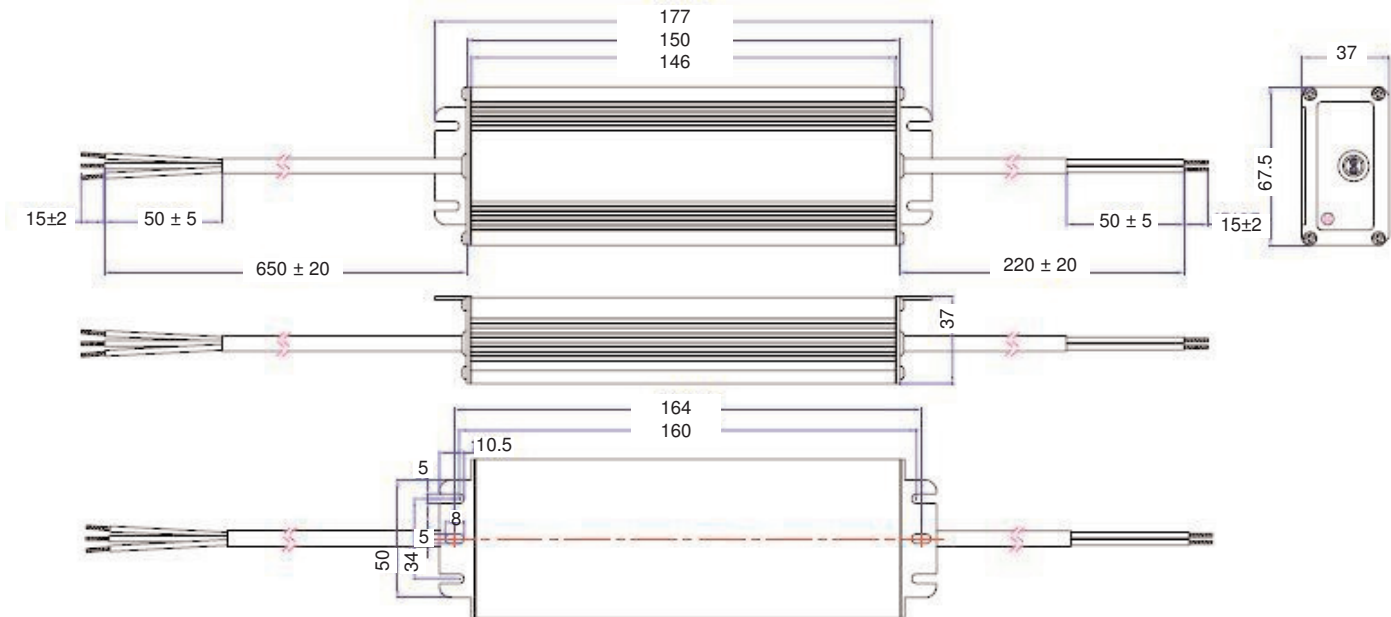
INPUT CABLE

SJTW 18AWG 3C
Black (L), White(N), Green (G) 650±20mm

OUTPUT CABLE

SJTW 18AWG 2C
Black (-V) and Red (+V) 220±20mm

MECHANICAL SPECIFICATIONS



Specifications are subject to change without notice

LXC60 Datasheet 28 April 2011



Europe/Asia		North America	
Excelsys Technologies Ltd	t: +353 21 4354716	Excelsys Technologies	t: (972) 771 4544
27 Eastgate Drive	f: +353 21 4354864	519 Interstate 30, #309	f: (972) 421 1805
Eastgate Business Park	e: sales@excelsys.com	Rockwall, TX 75087	e: salesusa@excelsys.com
Little Island, Cork, Ireland		USA	
IRELAND			