



Chipsmall Limited consists of a professional team with an average of over 10 year of expertise in the distribution of electronic components. Based in Hongkong, we have already established firm and mutual-benefit business relationships with customers from,Europe,America and south Asia,supplying obsolete and hard-to-find components to meet their specific needs.

With the principle of “Quality Parts,Customers Priority,Honest Operation,and Considerate Service”,our business mainly focus on the distribution of electronic components. Line cards we deal with include Microchip,ALPS,ROHM,Xilinx,Pulse,ON,Everlight and Freescale. Main products comprise IC,Modules,Potentiometer,IC Socket,Relay,Connector.Our parts cover such applications as commercial,industrial, and automotives areas.

We are looking forward to setting up business relationship with you and hope to provide you with the best service and solution. Let us make a better world for our industry!



## Contact us

Tel: +86-755-8981 8866 Fax: +86-755-8427 6832

Email & Skype: info@chipsmall.com Web: www.chipsmall.com

Address: A1208, Overseas Decoration Building, #122 Zhenhua RD., Futian, Shenzhen, China



**DESCRIPTION**

The LXMG1617A-05-2x™ is a Single Output 2.2W Direct Drive™ CCFL (Cold Cathode Fluorescent Lamp) Inverter Module designed for driving LCD backlight lamps. It is ideal for driving typical 3.9" to 6.4" TFT panels.

LXMG1617A modules provide the designer with a superior display brightness range. This brightness range is achievable with virtually any LCD display.

The maximum output current is externally programmable over a range of 3.5 to 5mA in 0.5mA steps (PanelMatch) to allow the inverter to properly match to a wide array of LCD panel lamp current specifications. The modules include a dimming input that permits brightness control from a DC voltage source, a PWM signal or an external potentiometer.

The resultant "burst drive" that energizes the lamp was designed to ensure that no premature lamp degradation occurs, while allowing significant power savings at lower dim levels.

The modules convert DC voltage from the system battery or AC adapter directly to high frequency, high-voltage waves required to ignite and operate CCFL lamps. A 3.3V input inverter is also available (LXMG1617A-03-2x).

The LXMG1617A modules integrate the newer highly integrated LX1691B CCFL backlight controller to provide wider dimming range (typically 100:1+) and wider temperature range (-30°C to 80°C) compared to the existing solutions offered by Microsemi.

Other benefits of the inverter's topology include stable fixed-frequency operation, secondary-side strike voltage regulation and both open/shorted lamp protection with fault timeout.

The new LXMG1617A ("A Series") modules are designed therefore as a higher performance near drop-in-replacement (see BRITE minimum input voltage level and Burst Frequency) for those customers and applications currently using the LXMG1617 inverters.

**KEY FEATURES**

- Externally Programmable Maximum Output Current
- Easy to Use Brightness Control
- Output Short-Circuit Protection and Automatic Strike-Voltage Regulation and Timeout
- RangeMAX Wide Range Dimming (typ. 100:1+)
- Fixed Frequency Operation
- Rated From -30 to 80°C
- UL60950 E175910
- RoHS Compliant

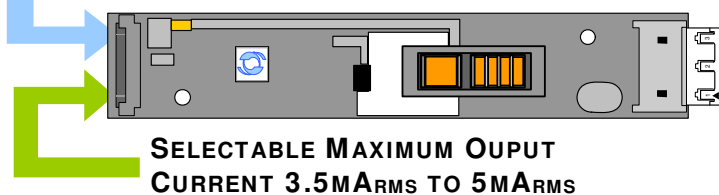
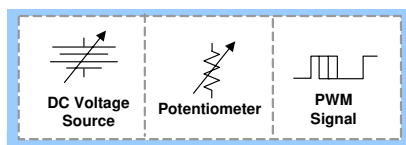
**APPLICATIONS**

- Medical Instrument Displays
- Portable Instrumentation (GPS, etc.)
- Industrial Display Controls

**BENEFITS**

- Smooth, Flicker Free Full-Range Brightness Control
- Programmable Output Current Allows Inverter to Mate with a Wide Variety of LCD Panel's Specifications
- Output Open Circuit Voltage Regulation Minimizes Corona Discharge For High Reliability

**IMPORTANT:** For the most current data, consult MICROSEMI's website: <http://www.microsemi.com>  
Protected By U.S. Patents: 5,923,129; 5,930,121; 6,198,234; Patents Pending

**PRODUCT HIGHLIGHT**
**UNIVERSAL DIMMING INPUT**  
**"PWM", V<sub>DC</sub>, OR POTENTIOMETER**

**PACKAGE ORDER INFO**

PART NUMBER	OUTPUT CONNECTOR	INVERTER MATES DIRECTLY TO PANEL CONNECTORS
LXMG1617A-05-21	JST SM02(8.0)B-BHS-1-TB (LF)(SN), Yeon Ho 20015WR-05A00 or equivalent	JST BHR-03VS-1
LXMG1617A-05-22	JST SM02B-BHSS-1-TB (LF)(SN), Yeon Ho 35001WR-02A00 or equivalent	JST BHSR-02VS-1



**ABSOLUTE MAXIMUM RATINGS (NOTE 1)**

Input Signal Voltage ( $V_{IN}$ ).....	-0.3V to 6V
Input Power .....	3.0W
Output Voltage, no load .....	Internally Limited to 1300V <sub>RMS</sub>
Output Current .....	6mA <sub>RMS</sub> (Internally Limited)
Output Power .....	2.3W
Input Signal Voltage (SLEEP Input) .....	-0.3V to 5.5V
Input Signal Voltage (BRITE) .....	-0.3V to 5.5V
Ambient Operating Temperature, zero airflow.....	-30°C to 80°C
Storage Temperature Range.....	-40°C to 85°C

Note 1: Exceeding these ratings could cause damage to the device. All voltages are with respect to Ground. Currents are positive into, negative out of specified terminal.

**RECOMMENDED OPERATING CONDITIONS (R.C.)**

This module has been designed to operate over a wide range of input and output conditions. However, best efficiency and performance will be obtained if the module is operated under the condition listed in the 'R.C.' column. Min. and Max. columns indicate values beyond which the inverter, although operational, may not function optimally.

Parameter	Symbol	Recommended Operating Conditions			Units
		Min	R.C.	Max	
Input Supply Voltage Range (Fully Regulated Lamp Current)	$V_{IN}$	4.75	5	5.25	V
Input Supply Voltage Range (Functional)		4.5	5	5.5	
Output Power	$P_O$			2.2	W
Linear BRITE Control Input Voltage Range <sup>1</sup>	$V_{BRT\_ADJ}$	0		2.0	V
Lamp Operating Voltage	$V_{LAMP}$	325	380	435*	V <sub>RMS</sub>
Lamp Current (Full Brightness)	$I_{OLAMP}$	3.5		5.0 <sup>†</sup>	mA <sub>RMS</sub>
Operating Ambient Temperature Range	$T_A$	-30		80	°C

<sup>1</sup> The BRITE minimum input voltage level is 0V, whereas it is 0.5V in the original LXMG1617-05-2x inverter.

\*Total output power must not exceed 2.2W. Higher voltage lamps may require maximum output current to be set lower than 5mA<sub>RMS</sub>

†At input voltages below 5V the inverter may not be able to output the full 5mA<sub>RMS</sub> in all configurations.

**ELECTRICAL CHARACTERISTICS**

The following specifications apply over the recommended operating condition and ambient temperature of 0°C to 60°C except where otherwise noted.

Parameter	Symbol	Test Conditions	LXMG1617A-05-2x			Units
			Min	Typ	Max	
<b>OUTPUT PIN CHARACTERISTICS</b>						
Full Bright Lamp Current	$I_{L(MAX)}$	$V_{BRT\_ADJ} \geq 2.0V, SLEEP \geq 2.0V, V_{IN} = 5V$ $I_{SET1} = Ground, I_{SET2} = Ground$	3.0	3.5	4.0	mA <sub>RMS</sub>
Full Bright Lamp Current	$I_{L(MAX)}$	$V_{BRT\_ADJ} \geq 2.0V, SLEEP \geq 2.0V, V_{IN} = 5V$ $I_{SET1} = Ground, I_{SET2} = Open$	3.5	4.0	4.5	mA <sub>RMS</sub>
Full Bright Lamp Current	$I_{L(MAX)}$	$V_{BRT\_ADJ} \geq 2.0V, SLEEP \geq 2.0V, V_{IN} = 5V$ $I_{SET1} = Open, I_{SET2} = Ground$	4.0	4.5	5.0	mA <sub>RMS</sub>
Full Bright Lamp Current	$I_{L(MAX)}$	$V_{BRT\_ADJ} \geq 2.0V, SLEEP \geq 2.0V, V_{IN} = 5V$ $I_{SET1} = Open, I_{SET2} = Open$	4.5	5	5.5	mA <sub>RMS</sub>
Min. Average Lamp Current	$I_{L(MIN)}$	$V_{BRT\_ADJ} = 0V, SLEEP \geq 2.0V, V_{IN} = 5V$ $I_{SET1} = I_{SET2} = Gnd, I_{L(MIN)} = I_{L(MAX)} * \sqrt{(Min Duty Ratio)}$		0.4		mA <sub>RMS</sub>
Lamp Start Voltage	$V_{LS}$	-30°C < $T_A$ < 80°C, $V_{IN} > 4.75V$	1000	1200		V <sub>RMS</sub>
Operating Frequency	$f_O$	$V_{BRT\_ADJ} = 2V, SLEEP \geq 2.0V, V_{IN} = 5V$	85	90	94	kHz
Burst Frequency <sup>2</sup>	$f_{BURST}$	Output Burst Frequency	332	352	368	Hz

<sup>2</sup> The Burst Frequency of the LXMG1617A-05-2x is twice that of the original LXMG1617-05-2x inverter.

**ELECTRICAL CHARACTERISTICS (CONTINUED)**

The following specifications apply over the recommended operating condition and ambient temperature of 0°C to 60°C except where otherwise noted.

Parameter	Symbol	Test Conditions	LXMG1617A-05-2x			Units
			Min	Typ	Max	
<b>BRITE INPUT</b>						
Input Current	$I_{BRT}$	$V_{BRT\_ADJ} = 0V$		-13		$\mu A$
		$V_{BRT\_ADJ} = 3V$		0		$\mu A$
Minimum Input for Max. Lamp Current	$V_{BRT\_ADJ}$	$I_{O(LAMP)} = \text{Maximum Lamp Current}$		1.9	2.0	V
Maximum Input for Min. Lamp Current <sup>3</sup>	$V_{BRT\_ADJ}$	$I_{O(LAMP)} = \text{Minimum Lamp Current}$	0			V
Minimum PWM Input Frequency	$F_{BRT\_PWM}$		2			kHz
<b>SLEEP BAR INPUT</b>						
RUN Mode	$V_{SLEEP}$		2.0			V
SLEEP Mode	$V_{SLEEP}$		-0.3		0.8	V
<b>SET<sub>1,2</sub> INPUT</b>						
SET <sub>1,2</sub> Low Threshold	$V_L$				0.4	V
Input Current	$I_{SET}$	$V_{SET} = 0V$		-120		$\mu A$
<b>POWER CHARACTERISTICS</b>						
Sleep Current	$I_{IN(MIN)}$	$V_{IN} = 5V_{DC}, \overline{SLEEP} \leq 0.8V$	0.0	5	50	$\mu A$
Run Current	$I_{RUN}$	$V_{IN} = 5V_{DC}, \overline{SLEEP} \geq 2.0V, I_{SET1} = \text{Open}$ $I_{SET2} = \text{Ground}, V_{LAMP} = 380V_{RMS}$		430		mA
Efficiency	$\eta$	$V_{IN} = 5V_{DC}, \overline{SLEEP} \geq 2.0V, I_{SET1} = \text{Open}$ $I_{SET2} = \text{Ground}, V_{LAMP} = 380V_{RMS}$		80		%

<sup>3</sup> The BRITE minimum input voltage level is 0V, whereas it is 0.5V in the original LXMG1617-05-2x inverter.

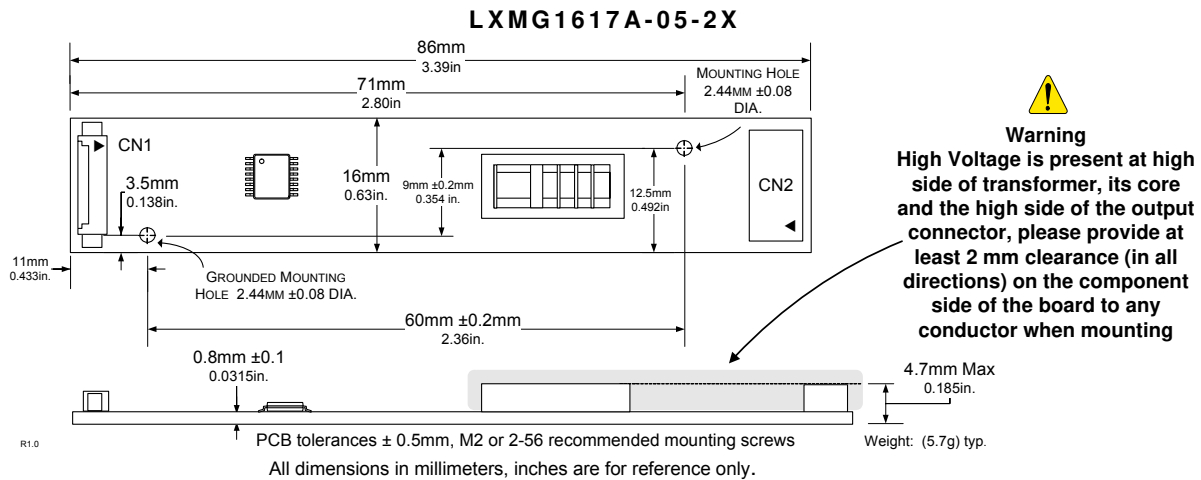
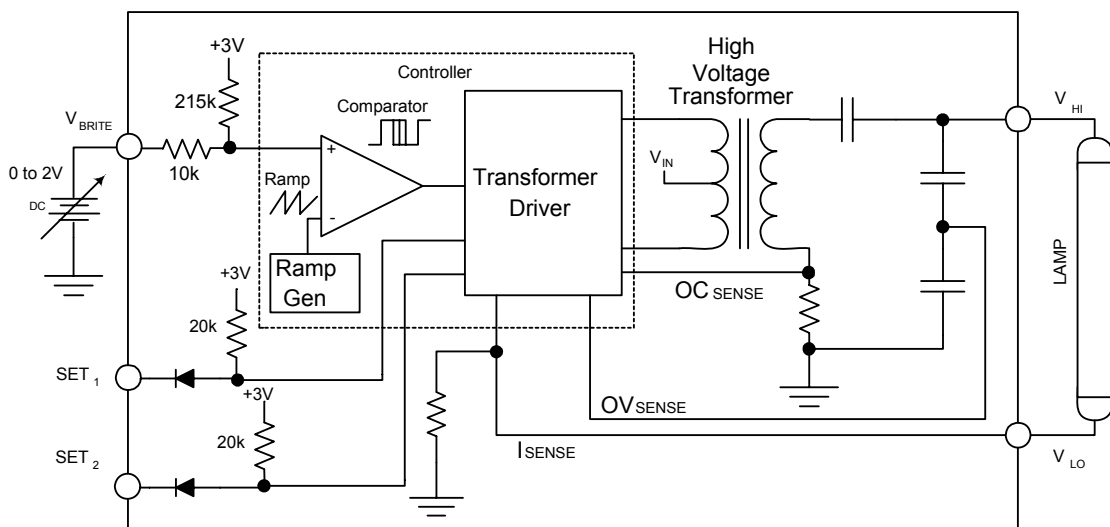
**FUNCTIONAL PIN DESCRIPTION**

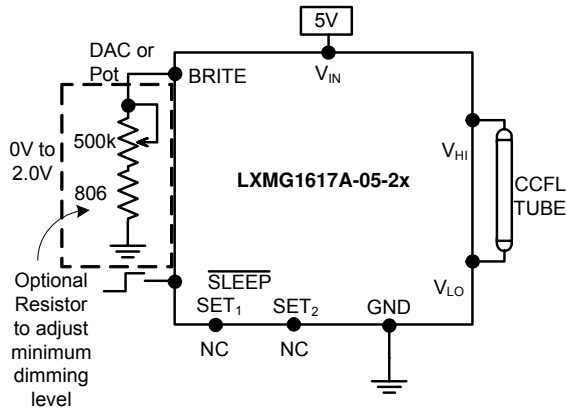
CONN	PIN	DESCRIPTION
<b>CN1</b> (Molex 53261-0871 or equivalent) Mates with 51021-0800 housing, 50079-8100 pins. Mates with LX9501G input cable assembly		
CN1-1	$V_{IN}$	Main Input Power Supply ( $4.75V \leq V_{IN} \leq 5.25V$ )
CN1-2		
CN1-3	GND	Power Supply Return
CN1-4		
CN1-5	$\overline{SLEEP}$	ON/OFF Control. ( $0V < \overline{SLEEP} \leq 0.8V = \text{OFF}, \overline{SLEEP} \geq 2.0V = \text{ON}$ )
CN1-6	BRITE	Brightness Control ( $0V$ to $2.0V_{DC}$ ). $2.0V_{DC}$ gives maximum lamp current.
CN1-7	SET <sub>1</sub>	SET <sub>1</sub> MSB Connecting this pin to ground decreases the output current (see Table 1)
CN1-8	SET <sub>2</sub>	SET <sub>2</sub> LSB Connecting this pin to ground decreases the output current (see Table 1)
<b>CN2 for LXMG1617A-05-21 and -22</b> (JST SM02(8.0)B-BHS-1-TB(LF)(SN)   Yeon Ho 20015WR-05A00 or SM02B-BHSS-1-TB(LF)(SN)   35001WR-02A00) or equivalent		
CN2-1	$V_{HI}$	High voltage connection to high side of lamp. Connect to lamp terminal with shortest lead length. <b>DO NOT</b> connect to Ground.
CN2-2	$V_{LO}$	Connection to low side of lamp. Connect to lamp terminal with longer lead length. <b>DO NOT</b> connect to Ground

**TABLE 1 SETTING OUTPUT CURRENT**
**OUTPUT CURRENT SETTINGS**

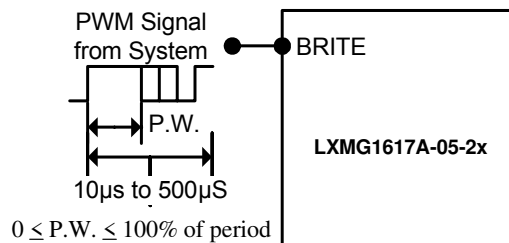
SET <sub>1</sub> (Pin 7)	SET <sub>2</sub> (Pin 8)	Nominal Output Current
Open*	Open*	5.0mA
Open*	Ground	4.5mA
Ground	Open*	4.0mA
Ground	Ground	3.5mA

\* If driven by a logic signal it should be open collector or open drain only, not a voltage source.

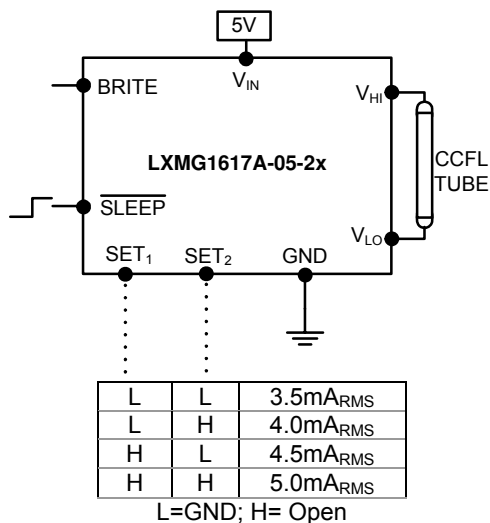
**PHYSICAL DIMENSIONS**

**SIMPLIFIED BLOCK DIAGRAM**

**APPLICATION**

**TYPICAL APPLICATION**


**Figure 1 – Brightness Control**  
(Output current set to maximum)



**Figure 1A – PWM Brightness Control**



**Figure 2 – Max Output Current**  
(SET<sub>1</sub> and SET<sub>2</sub> Inputs)

- The brightness control may be a voltage output DAC or other voltage source, a digital pot or 500k manual pot. The inverter contains an internal 215k pull-up to 3V to bias the pot, it may be necessary to add a small value resistor in series with the ground side of the POT to set the lower threshold voltage above the absolute minimum dim level capability, especially when both SET pins are programmed low. A 3.3V Logic Level PWM signal from a micro-controller may also be used as shown in Figure 1A.
- If you need to turn the inverter ON/OFF remotely, connect to TTL logic signal to the SLEEP input.
- Connect V<sub>HI</sub> to high voltage wire from the lamp. Connect V<sub>LO</sub> to the low voltage wire (wire with thinner insulation). Never connect V<sub>LO</sub> to circuit ground as this will defeat lamp current regulation. If both lamp wires have heavy high voltage insulation, connect the longest wire to V<sub>LO</sub>. This wire is typically white.
- Use the SET<sub>1</sub> and SET<sub>2</sub> (see Figure 2) inputs to select the desired maximum output current. Using these two pins in combination allows the inverter to match a wide variety of panels from different manufacturers. Generally the best lamp lifetime correlates with driving the CCFL at the manufacturer's nominal current setting. However the SET<sub>1</sub> and SET<sub>2</sub> inputs allow the user the flexibility to adjust the current to the maximum allowable output current to increase panel brightness at the expense of some reduced lamp life.
- Although the SET pins are designed such that just leaving them open or grounding them is all that is needed to set the output current, they can also be actively set. Using an open collector or open drain logic signal will allow you to reduce the lamp current for situations where greater dim range is required, as an example in nighttime situations. In conjunction with a light sensor or other timer the panel could be set to higher brightness (maximum output current) for daytime illumination and lower brightness (minimum or typical output current) at nighttime. Since the dim ratio is a factor of both the burst duty cycle and the peak output current, using this technique the effective dim ratio can be increased greater than the burst duty cycle alone. Conversely, the SET inputs could be used to overdrive the lamp temporarily to facilitate faster lamp warm up at initial lamp turn on. Of course any possible degradation on lamp life from such practices is the user's responsibility since not all lamps are designed to be overdriven.
- The inverter has a built in fault timeout function. If the output is open (lamp disconnected or broken) or shorted the inverter will attempt to strike the lamp up to about one second, after which (without success) the inverter will shutdown, in this mode the inverter will draw about 8mA from V<sub>IN</sub>. In order to restart the inverter it is necessary to toggle the sleep input or cycle the V<sub>IN</sub> input supply.



NOTES

PRODUCTION DATA – Information contained in this document is proprietary to Microsemi and is current as of publication date. This document may not be modified in any way without the express written consent of Microsemi. Product processing does not necessarily include testing of all parameters. Microsemi reserves the right to change the configuration and performance of the product and to discontinue product at any time