



Chipsmall Limited consists of a professional team with an average of over 10 year of expertise in the distribution of electronic components. Based in Hongkong, we have already established firm and mutual-benefit business relationships with customers from,Europe,America and south Asia,supplying obsolete and hard-to-find components to meet their specific needs.

With the principle of "Quality Parts,Customers Priority,Honest Operation,and Considerate Service",our business mainly focus on the distribution of electronic components. Line cards we deal with include Microchip,ALPS,ROHM,Xilinx,Pulse,ON,Everlight and Freescale. Main products comprise IC,Modules,Potentiometer,IC Socket,Relay,Connector.Our parts cover such applications as commercial,industrial, and automotives areas.

We are looking forward to setting up business relationship with you and hope to provide you with the best service and solution. Let us make a better world for our industry!



Contact us

Tel: +86-755-8981 8866 Fax: +86-755-8427 6832

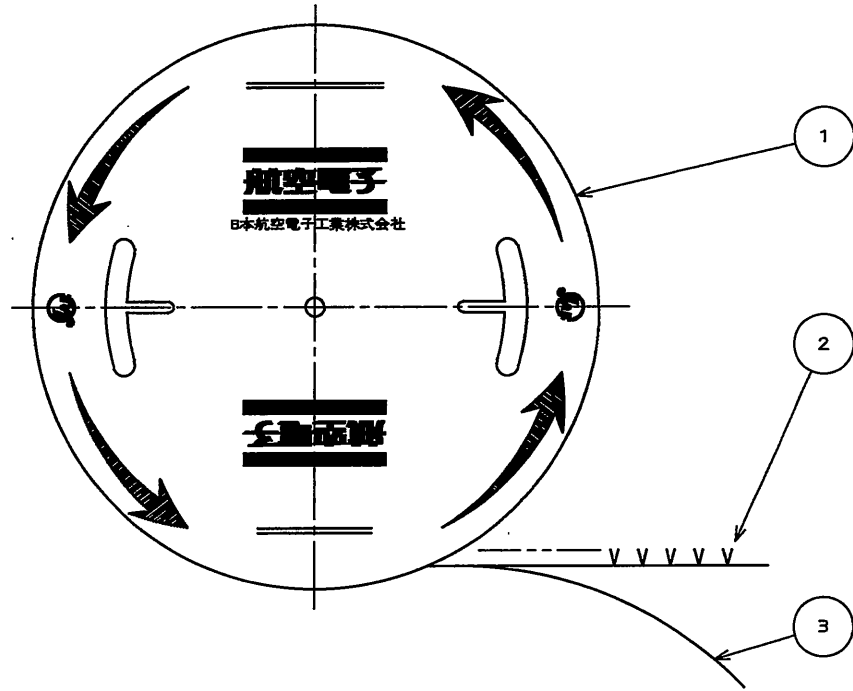
Email & Skype: info@chipsmall.com Web: www.chipsmall.com

Address: A1208, Overseas Decoration Building, #122 Zhenhua RD., Futian, Shenzhen, China



SJ024436
(ON DRAWING NO.)

版数 REV.	年月日 DATE	DCN NO.	変更内容 DESCRIPTION	製図 DR.	担当 CHK.	査閲 APPD.	承認 APPD.
2	23.Jul.1991	29106	DELETE NOTE 3	H. KATOU	K. HISATOMI	H. YASUI	N. KAWABE
3	12.Apr.1996	37870	DELETE FINISH NO. 2 AND NO. 3	---	Y. YAHIRO	K. HISATOMI	H. YASUI
4	15.Jul.2010	070326	REVISED NOTE2	K.KIMURA	N.UCHIYAMA	---	Y. MIZUSAWA



DETAIL CONTACT (SCALE 10:1)
(コンタクト本体詳細図)

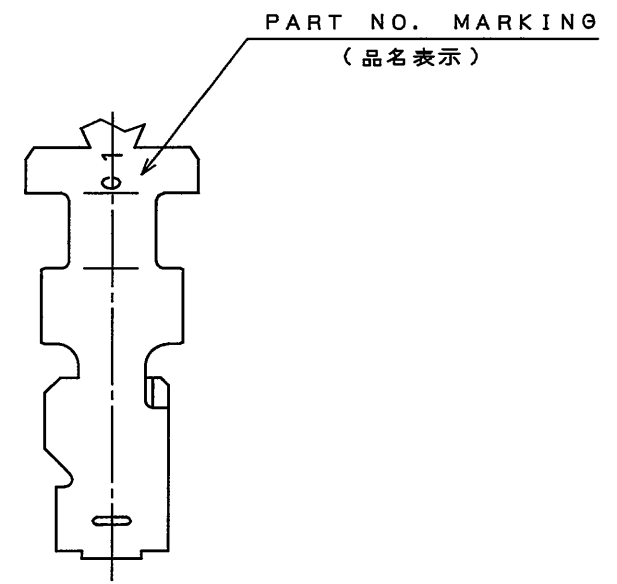
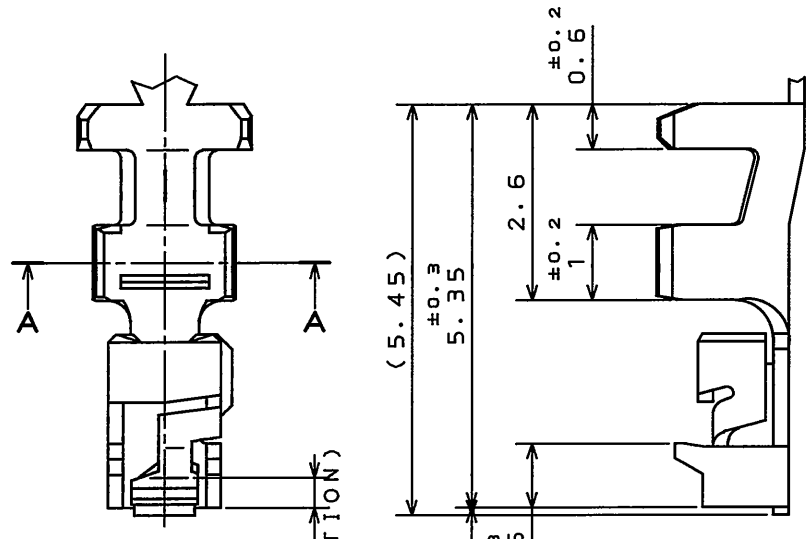
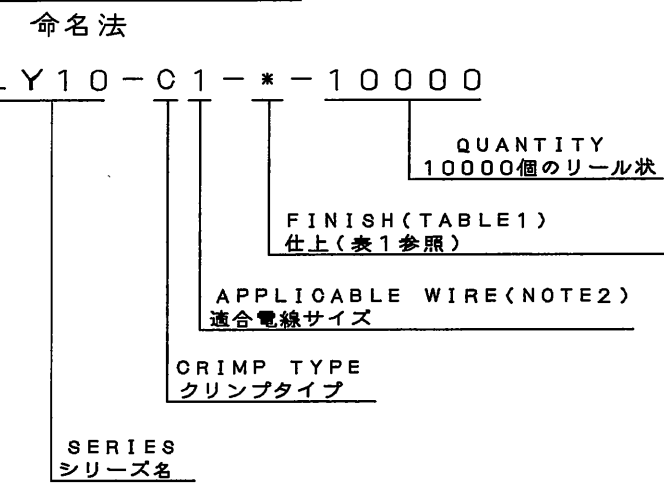


TABLE 1

AREA	NO.	1	5
CONTACT AREA 接触部		GOLD (0.1 μm MIN) OVER NICKEL Ni上Au0.1 μm以上	TIN PLATING Snめっき
CRIMP POT AREA クリンプ部		TIN-LEAD PLATING Sn-Pbめっき	TIN PLATING Snめっき

DESIGNATION



SECTION A-A
(断面A-A)

EXCEPT CRIMP POT
(クリンプ部を除く)

- NOTE 1. INSERT PIN: 0.5 ± 0.05 SQU.
- △注 2. APPLICABLE WIRE: #22~#26AWG, STRANDED.
APPLICABLE WIRE INSULATION OUTER DIA: 0.8~1.3
(SEMI AUTOMATIC CRIMP MACHINE)
- 注 1 適合ピンは 0.5 ± 0.05 である。
- △注 2 圧着適合電線サイズはAWG #22~#26の撚り線であり
被覆外径寸法がφ0.8~φ1.3のものである。(半自動圧着機)

3	TAPE	1	PAPER		
2	SOCKET CONTACT	10000	PHOSPHOR BRONZE	TABLE 1	PITCH: 4.5
1	MAGAZINE	1	PAPER		
符号 NO.	名称 DESCRIPTION	個数 QTY.	材 料 MATERIAL	仕 上 FINISH	備 考 REMARKS
仕様書 (SPECIFICATION)	JACS-1337	第1版 (ORIGINAL DATE) 14 Feb 90	尺度 (SCALE)	シリーズ (SERIES) LY	日本航空電子工業株式会社 JAPAN AVIATION ELECTRONICS INDUSTRY, LTD.
公差 (GENERAL TOLERANCE)		製図 DR.		名称 (TITLE) LY10-C1-* -10000	
寸法 (DIMENSION)		担当 CHK. 査閲 APPD. 承認 APPD.	K.HISATOMI H.YASUI N.KAWABE	MAGAZINE ASSEMBLY	
角度 (ANGLES)				質量 (MASS)	
. ±0.8 X° ± .X ±0.4 X°X' ± .XX ±0.1 .XXX ±				図面番号 (DRAWING NO.) SJ024436	
					版数 (REV.) 4

DOF-0-212F(05.08)

