



Chipsmall Limited consists of a professional team with an average of over 10 year of expertise in the distribution of electronic components. Based in Hongkong, we have already established firm and mutual-benefit business relationships with customers from,Europe,America and south Asia,supplying obsolete and hard-to-find components to meet their specific needs.

With the principle of "Quality Parts,Customers Priority,Honest Operation,and Considerate Service",our business mainly focus on the distribution of electronic components. Line cards we deal with include Microchip,ALPS,ROHM,Xilinx,Pulse,ON,Everlight and Freescale. Main products comprise IC,Modules,Potentiometer,IC Socket,Relay,Connector.Our parts cover such applications as commercial,industrial, and automotives areas.

We are looking forward to setting up business relationship with you and hope to provide you with the best service and solution. Let us make a better world for our industry!



Contact us

Tel: +86-755-8981 8866 Fax: +86-755-8427 6832

Email & Skype: info@chipsmall.com Web: www.chipsmall.com

Address: A1208, Overseas Decoration Building, #122 Zhenhua RD., Futian, Shenzhen, China



910011RS
(ON 0NIMVHD)台要図

版数 REV.	年月日 DATE	DCN NO.	変更内容 DESCRIPTION	製図 DR.	担当 CHK.	査閲 APPD.	承認 APPD.

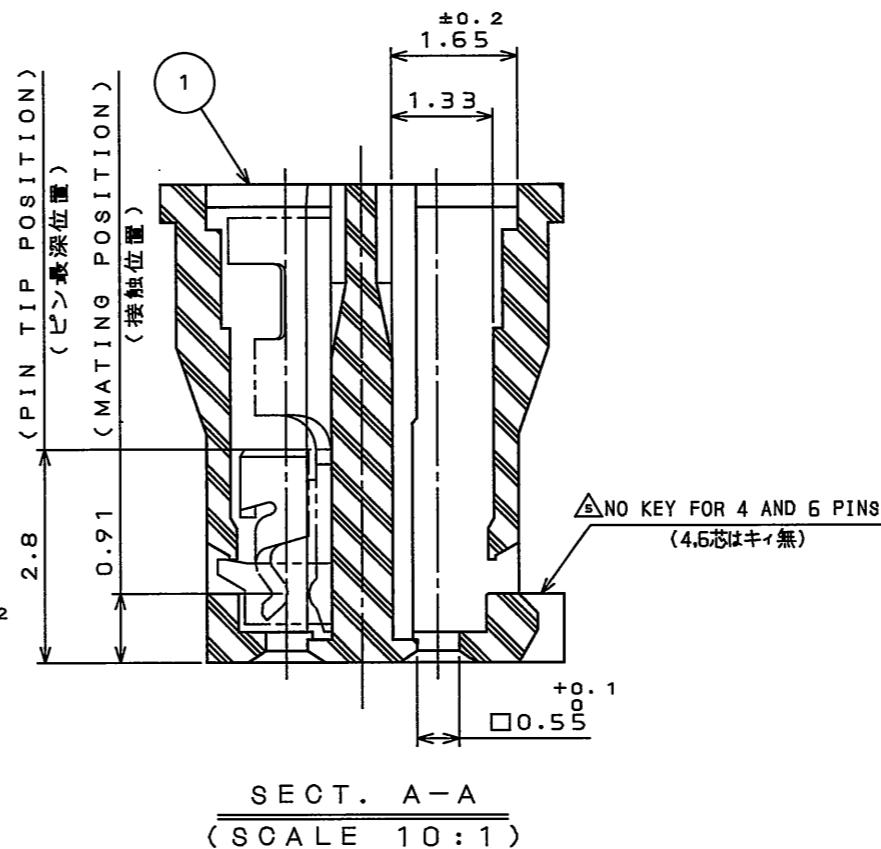
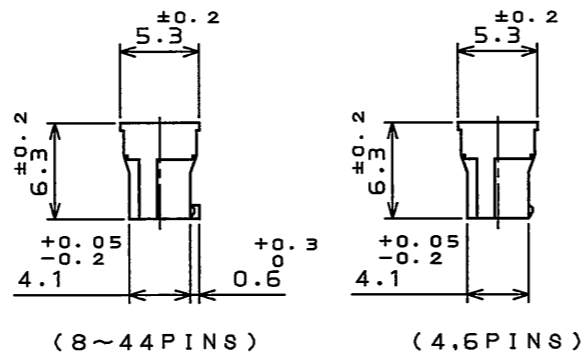
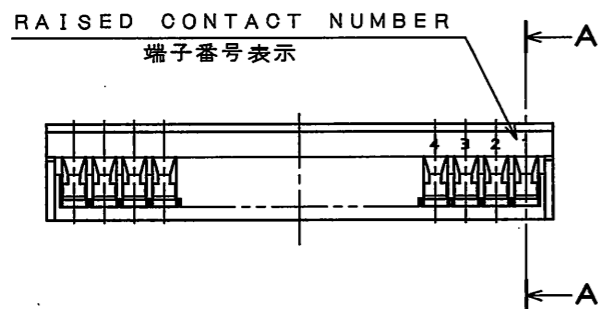
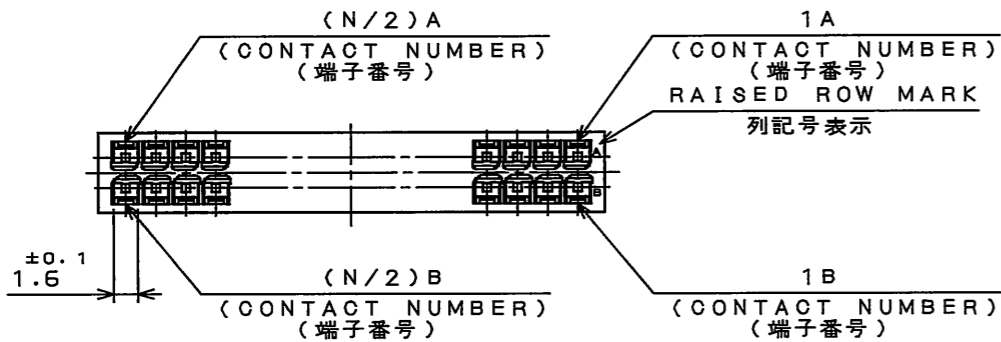
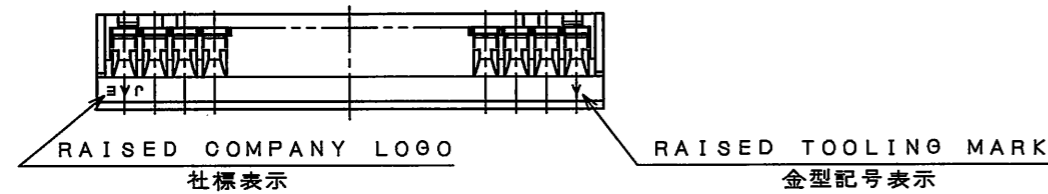
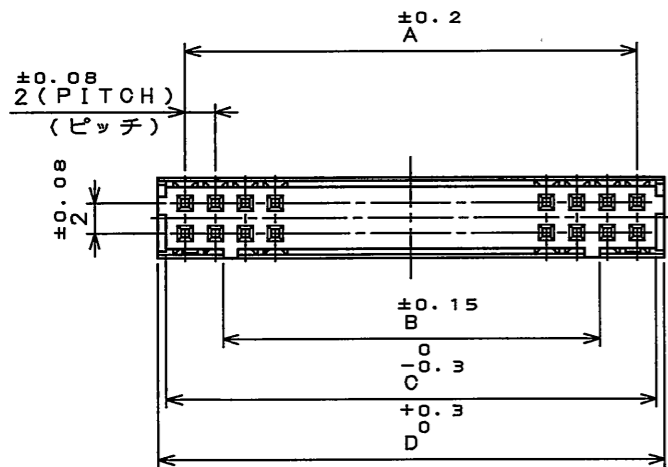


TABLE 1 DIMENSION

DIMENSION NO. OF CONTACT	A	B	C	D
4	2	—	4.5	5.6
6	4	—	6.5	7.6
8	6	1	8.5	9.6
10	8	3	10.5	11.6
12	10	5	12.5	13.6
14	12	7	14.5	15.6
16	14	9	16.5	17.6
18	16	11	18.5	19.6
20	18	13	20.5	21.6
22	20	15	22.5	23.6
24	22	17	24.5	25.6
26	24	19	26.5	27.6
28	26	21	28.5	29.6
30	28	23	30.5	31.6
32	30	25	32.5	33.6
34	32	27	34.5	35.6
36	34	29	36.5	37.6
38	36	31	38.5	39.6
40	38	33	40.5	41.6
42	40	35	42.5	43.6
44	42	37	44.5	45.6



DESIGNATION
命名法

LY10-DC*BR

色相: 茶色
COLOR: BROWN

芯数(表1参照)
NUMBER OF CONTACTS (TABLE 1)

クリンプタイプ用ハウジング
HOUSING FOR CRIMP TYPE

2列
DOUBLE ROW

シリーズ名
SERIES PREFIX

1	HOUSING	1	GLASS FILLED 6-6NY	UL94V-0 COLOR: BROWN
符号 NO.	名称 DESCRIPTION	個数 QTY.	材料 MATERIAL	仕上 FINISH
仕様書(SPECIFICATION)	JACS-1337-*	第1版(ORIGINAL DATE)	2.Jul.2009	シリーズ(SERIES)
製図 DR.		製図 DR.		LY
担当 CHK.		担当 CHK.	N.UCHIYAMA	名称(TITLE)
査閲 APPD.		査閲 APPD.		LY10-DC*BR
承認 APPD.		承認 APPD.	y. Mignawa	SOCKET HOUSING
		質量(MASS)		図面番号(DRAWING NO.)
				SJ110016

日本航空電子工業株式会社
JAPAN AVIATION
ELECTRONICS
INDUSTRY, LTD.

図面番号(DRAWING NO.)

SJ110016

版数
(REV.)
1

LEAD FREE この製品は鉛フリー品です

JAE CONNECTOR DIV. PROPRIETARY.
COPYRIGHT (C) 2009, JAPAN AVIATION ELECTRONICS INDUSTRY, LTD.

DF-0-212F(05.08)

