



Chipsmall Limited consists of a professional team with an average of over 10 year of expertise in the distribution of electronic components. Based in Hongkong, we have already established firm and mutual-benefit business relationships with customers from,Europe,America and south Asia,supplying obsolete and hard-to-find components to meet their specific needs.

With the principle of "Quality Parts,Customers Priority,Honest Operation,and Considerate Service",our business mainly focus on the distribution of electronic components. Line cards we deal with include Microchip,ALPS,ROHM,Xilinx,Pulse,ON,Everlight and Freescale. Main products comprise IC,Modules,Potentiometer,IC Socket,Relay,Connector.Our parts cover such applications as commercial,industrial, and automotives areas.

We are looking forward to setting up business relationship with you and hope to provide you with the best service and solution. Let us make a better world for our industry!



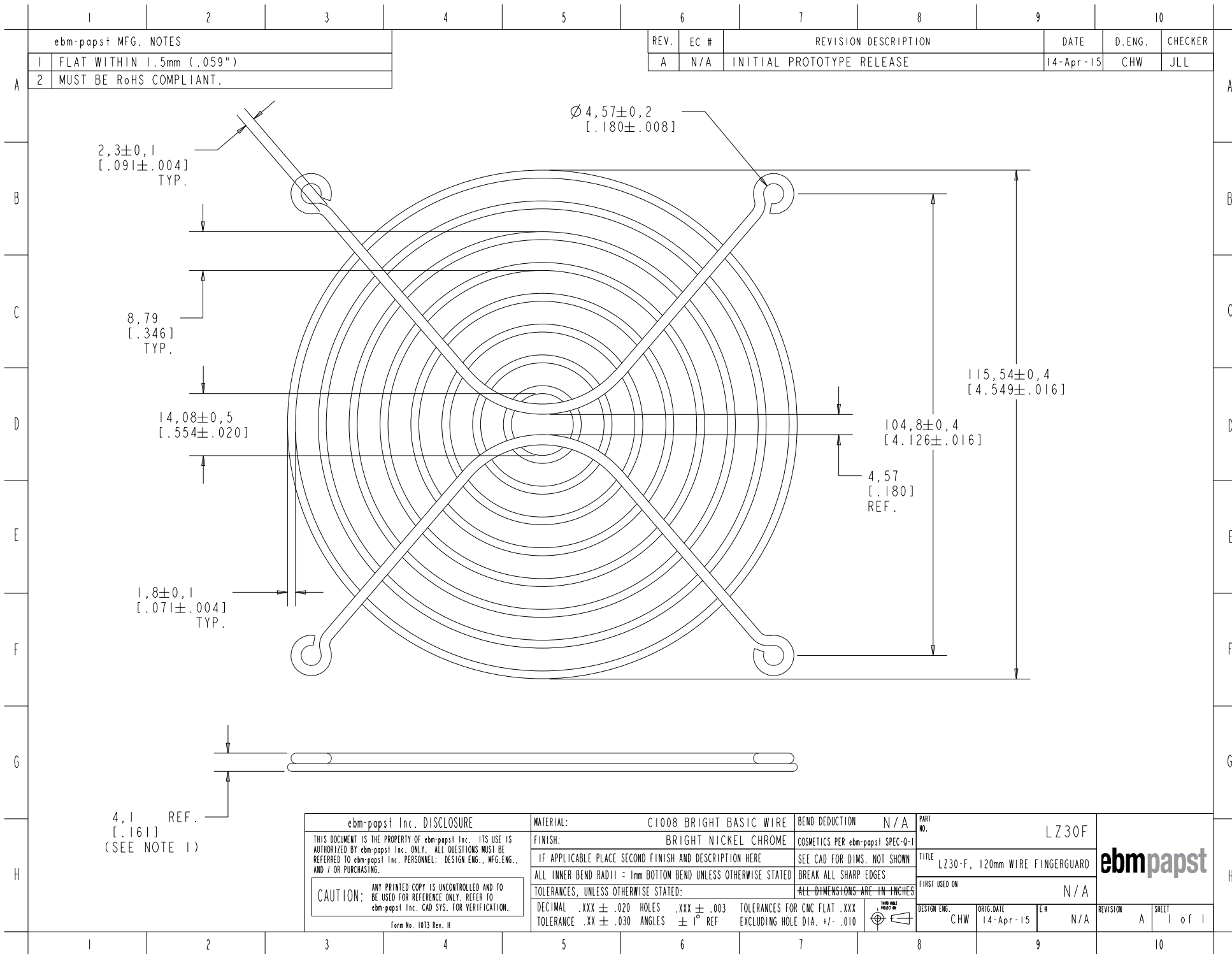
Contact us

Tel: +86-755-8981 8866 Fax: +86-755-8427 6832

Email & Skype: info@chipsmall.com Web: www.chipsmall.com

Address: A1208, Overseas Decoration Building, #122 Zhenhua RD., Futian, Shenzhen, China





ebm-papst Inc. DISCLOSURE THIS DOCUMENT IS THE PROPERTY OF ebm-papst Inc. ITS USE IS AUTHORIZED BY ebm-papst Inc. ONLY. ALL QUESTIONS MUST BE REFERRED TO ebm-papst Inc. PERSONNEL: DESIGN ENG., MFG.ENG., AND / OR PURCHASING. CAUTION: ANY PRINTED COPY IS UNCONTROLLED AND TO BE USED FOR REFERENCE ONLY. REFER TO ebm-papst Inc. CAD SYS. FOR VERIFICATION. Form No. 1073 Rev. H		MATERIAL: C1008 BRIGHT BASIC WIRE FINISH: BRIGHT NICKEL CHROME IF APPLICABLE PLACE SECOND FINISH AND DESCRIPTION HERE ALL INNER BEND RADII = 1mm BOTTOM BEND UNLESS OTHERWISE STATED TOLERANCES, UNLESS OTHERWISE STATED: DECIMAL .XXX ± .020 HOLES .XXX ± .003 TOLERANCES FOR CNC FLAT .XXX TOLERANCE .XX ± .030 ANGLES ± 1° REF EXCLUDING HOLE DIA. +/- .010	BEND DEDUCTION N/A COSMETICS PER ebm-papst SPEC-Q-1 SEE CAD FOR DIMS. NOT SHOWN BREAK ALL SHARP EDGES ALL DIMENSIONS ARE IN INCHES	PART NO. LZ30F TITLE LZ30-F, 120mm WIRE FINGERGUARD FIRST USED ON N/A DESIGN ENG. CHW ORIG. DATE 14-Apr-15 E# N/A	ebmpapst REVISION A SHEET 1 of 1
---	--	---	---	--	---